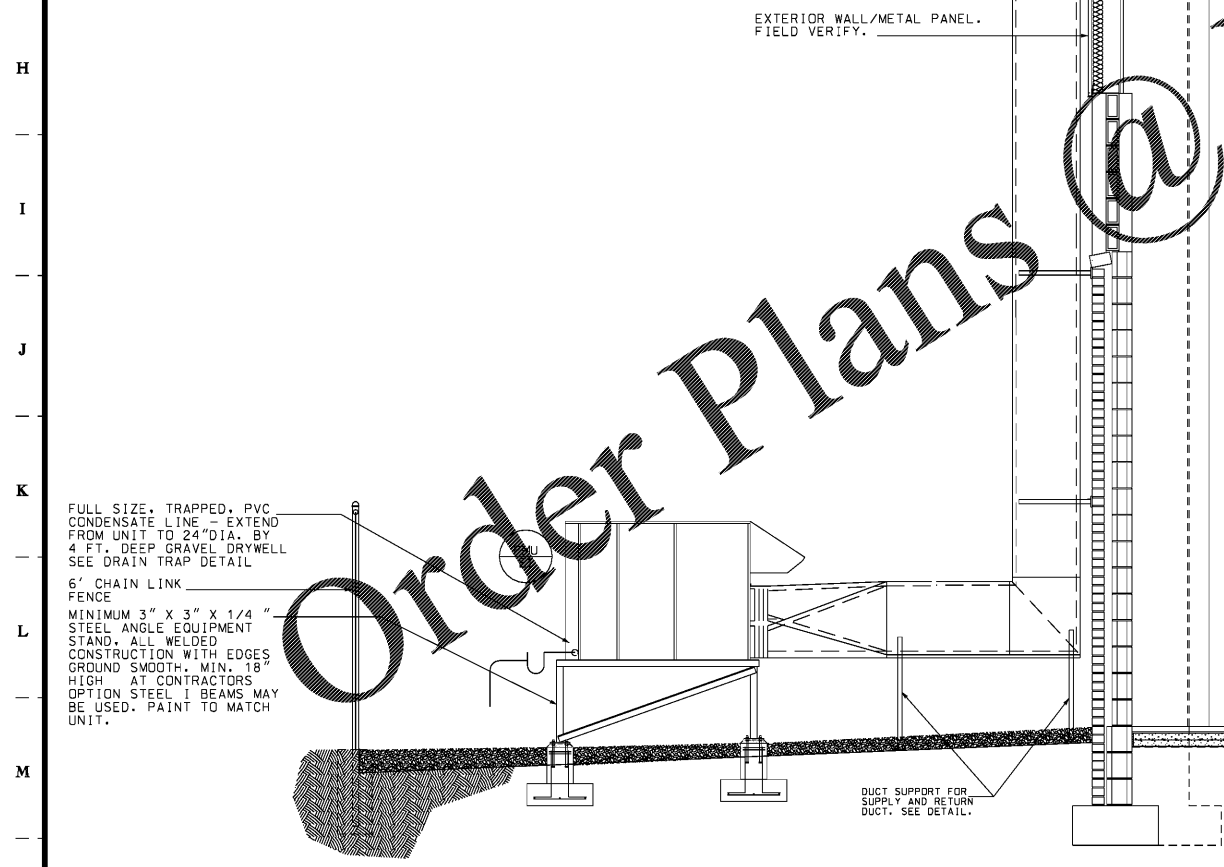
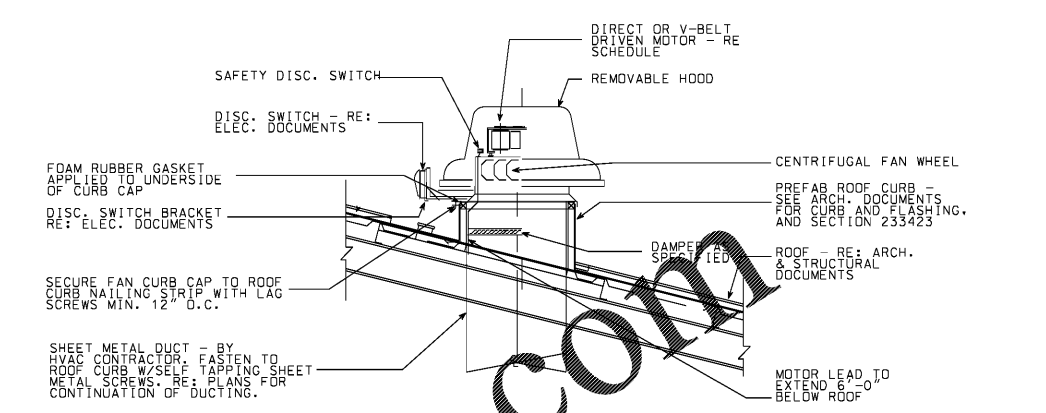


**DETAIL- MAHU - WALL & CEILING RECESSED** (BB) M501  
No Scale

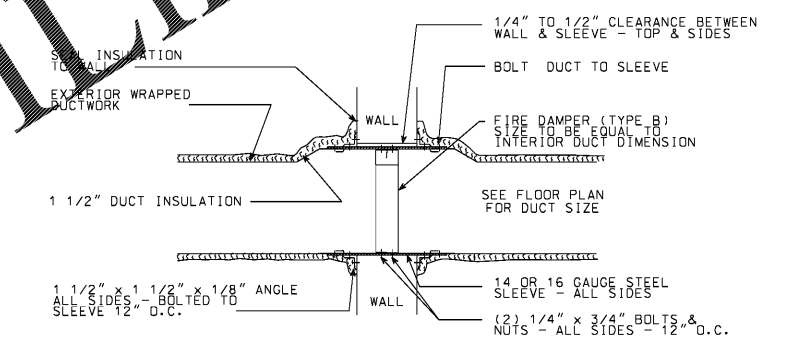
- NOTES: PMU
- 2" ACOUSTICALLY LINED SUPPLY AND RETURN DUCTS SEAL WEATHER TIGHT PER SPECIFICATION SECTION 230713. DO NOT INSULATE EXTERIOR DUCT. PAINT EXTERIOR DARK BRONZE. SEE ARCHITECTURAL FOR FLASHING OF DUCT PENETRATION AT WALL.
  - DUCT TRANSITIONS SHALL NOT BLOCK OUTSIDE AIR HOOD AND SHALL BE AS GENTLE AS POSSIBLE.
  - REUSE WALL OPENING WHERE EXISTING LOUVER IS REMOVED. FIELD VERIFY SITE CONDITIONS PRIOR TO DUCT FABRICATION.



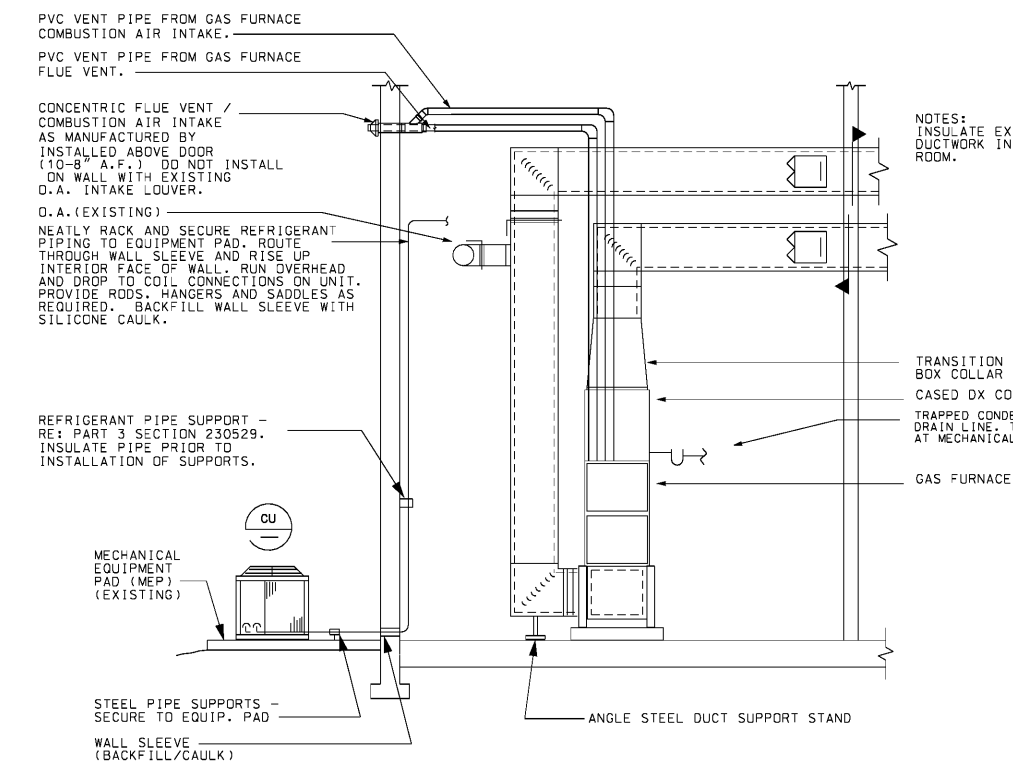
**DETAIL- PAD MOUNTED UNIT AT GYMNASIUM** (N8) M501  
No Scale



**DETAIL - CENTRIFUGAL ROOF EXHAUST FAN (SLOPED ROOF)** (D20) M501  
Scale



**DETAIL - FIRE DAMPER FOR EXTERIOR INSULATION** (G20) M501  
No Scale



**SECTION - GAS FURNACE WITH COOLING COIL** (N16) M501  
No Scale

**Southern A&E** ARCHITECTS & ENGINEERS, LLC  
 7951 Troon Circle  
 Austell, Ga. 30168  
 (770) 819-7777  
 © COPYRIGHT 2019 BY SOUTHERN A&E, LLC. ALL RIGHTS RESERVED. THIS DOCUMENT IS THE PROPERTY OF SOUTHERN A&E, LLC AND SHALL NOT BE COPIED OR REPRODUCED IN WHOLE OR IN PART WITHOUT EXPRESSED WRITTEN CONSENT FROM SOUTHERN A&E, LLC.  
 HVAC RENOVATIONS FOR:  
**ARNALL MIDDLE SCHOOL GYMNASIUM**  
 COWETA COUNTY SCHOOL SYSTEM  
 NEWNAN, GEORGIA  
 REVISIONS: December 20 2019  
 DATE: December 10 2019  
 JOB NUMBER: 01 610 296  
 REGISTERED ARCHITECT: GREGORY SCHUMBERG  
 REGISTERED ENGINEER: MICHAEL C. WALDRON  
 DRAWING NUMBER: M501