

PLUMBING UTILITIES SYMBOL LEGEND

NOTE: NOT ALL SYMBOLS TABULATED BELOW ARE NECESSARILY USED ON THE DRAWINGS. (N/A = NOT APPLICABLE)

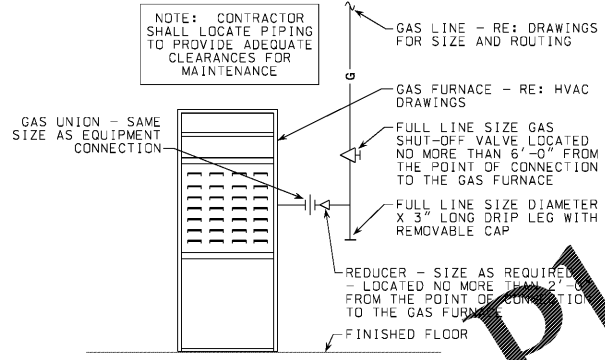
SYMBOL	ABRV.	DESCRIPTION	SYMBOL	ABRV.	DESCRIPTION
SS	SAN	SANITARY SEWER LINE (MUNICIPAL OR PRIVATE)	MH	MH	MANHOLE
GT	GT	GREASE TRAP WASTE LINE	FCD	FCD	ONE-WAY EXTERIOR CLEANOUT
AW	AW	ACID WASTE LINE	FCD	FCD	TWO-WAY EXTERIOR CLEANOUT
ST	ST	STORM SEWER DRAIN LINE	WV	WV	EXTERIOR WATER VALVE
CD	CD	CONDENSATE DRAIN LINE	GPR	GPR	GAS PRESSURE REGULATOR ASSEMBLY
V	V	SANITARY VENT LINE	PIV	PIV	POST INDICATOR VALVE W/TAMPER SWITCH
GT	GT	GREASE TRAP VENT LINE	FDC	FDC	FIRE DEPARTMENT SIAMESE CONNECTION
AV	AV	ACID VENT LINE	FH	FH	FIRE HYDRANT ASSEMBLY
W	CW	DOMESTIC COLD WATER LINE (MUNICIPAL OR PRIVATE)	DDC	DDC	DBL. DETECTOR CHECK VALVE ASSEMBLY IN METER VAULT
G	G	NATURAL GAS LINE	WM	WM	WATER METER ASSEMBLY IN METER VAULT
G	G	LOW PRESSURE (7" WC) NATURAL GAS LINE	BFP	BFP	DOUBLE CHECK BACKFLOW ASSEMBLY IN METER VAULT
G	G	MEDIUM PRESSURE (2 PSI) NATURAL GAS LINE	N/A	GM	GAS METER ASSEMBLY
G	G	MEDIUM PRESSURE (5 PSI) NATURAL GAS LINE	N/A	IE	INVERT ELEVATION
LPG	LPG	LIQUID PROPANE GAS LINE	N/A	TE	TOP ELEVATION
F	F	FIRE PROTECTION LINE	N/A	RE:	REFERENCE
SP	SP	FIRE PROTECTION SPRINKLER LINE	N/A	DWG	DRAWING

GAS PRESSURE REGULATOR SCHEDULE

GPR No.	REGULATOR	ESTIMATED LOADS (BTUH)	DESCRIPTION				PRESSURE					
			GAS TYPE	ORIFICE SIZE	VALVE ANGLE	INLET SIZE	OUTLET SIZE	VENT SIZE	SPRING COLOR	MAX. INLET (PSI)	MIN. INLET (PSI)	OUTLET (W.C.)
1	SENSUS MODEL NO. 496	150,000	NATURAL	1/4"	---	3/8"	3/8"	1"	GREEN	5.0	4.5	7"
2	SENSUS MODEL NO. 243-8-2	1,600,000	NATURAL	1"	30°	1 1/2"	1 1/2"	1"	GREEN-BLACK	5.0	4.5	7"
3	SENSUS MODEL NO. 496	140,000	NATURAL	1/4"	---	3/8"	3/8"	1"	GREEN	5.0	4.5	7"
4	SENSUS MODEL NO. 496	140,000	NATURAL	1/4"	---	3/8"	3/8"	1"	GREEN	5.0	4.5	7"

NOTES:  
 1. ALL GAS PRESSURE REGULATORS SHALL BE PERMANENTLY TAGGED WITH THE FOLLOWING INFORMATION: MANUFACTURER, MODEL NO., ORIFICE SIZE, GAS LOAD, INLET PRESSURE, AND OUTLET PRESSURE.  
 2. SUBMIT CUTSHEETS IN THE PLUMBING EQUIPMENT SUBMITTALS FOR ALL GAS PRESSURE REGULATORS. CLEARLY INDICATE WHICH REGULATOR IS BEING PROPOSED FOR USE FOR EACH REGULATOR SPECIFIED.  
 3. ALL REGULATORS SHALL BE PROVIDED WITH A MAX. OUTLET PRESSURE VARIANCE OF 1" W.C. DROOP TO 2" W.C. BOOST.  
 4. POSITION ALL REGULATORS SUCH THAT RAINWATER CANNOT ENTER INTO VENT OPENING.

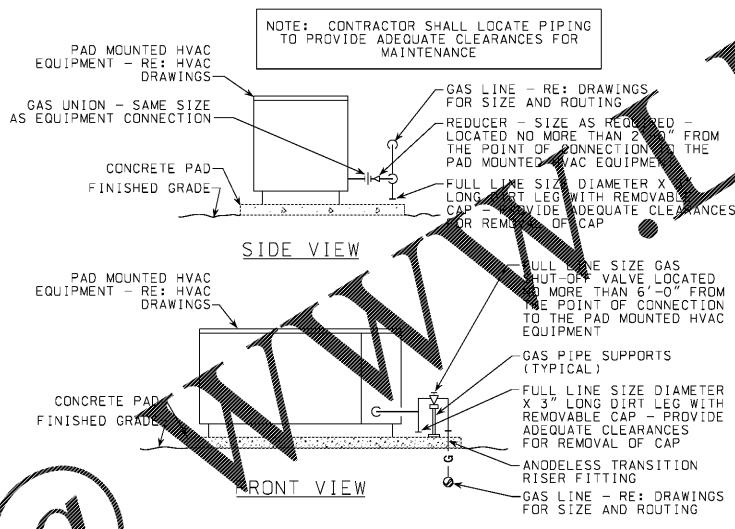
GENERAL PLUMBING DEMOLITION NOTES:  
 CAP OR PLUG ALL PLUMBING PIPING NOT BEING USED BACK AT A POINT WHERE IT WILL NOT BE VISIBLE FROM FINISHED SPACES. DO NOT LEAVE ANY OPEN PIPING.  
 ALL REMOVED PLUMBING EQUIPMENT, FIXTURES, DEVICES, AND APPURTENANCES SHALL REMAIN THE PROPERTY OF THE OWNER AND SHALL BE DELIVERED TO A LOCATION DESIGNATED BY THE OWNER. ANY ITEMS THE OWNER DOES NOT WANT TO RETAIN OWNERSHIP OF SHALL BECOME THE PROPERTY OF THE CONTRACTOR AND SHALL BE REMOVED FROM THE SITE. DO NOT USE THE OWNER'S WASTE RECEPTACLES FOR CONSTRUCTION REFUSE.  
 ALL EXISTING PLUMBING SYSTEMS NOT BEING REMOVED SHALL REMAIN ACTIVE UNLESS NOTED OTHERWISE.  
 PATCH AND REPAIR ALL CEILINGS, FLOORS, WALLS, SIDEWALKS, DRIVES, ROOFS, ETC. DAMAGED DUE TO NEW PLUMBING WORK TO MATCH EXISTING CONDITIONS. PAINT OR INSTALL NEW FINISH COVERINGS AS REQUIRED TO MATCH EXISTING FINISHED SURFACES BEING DISTURBED.  
 GRASS OR PROVIDE NEW SOD IN GRAVE LOCATIONS DISTURBED BY NEW PLUMBING WORK.



GAS CONNECTION DETAIL

SCALE: NONE

P501

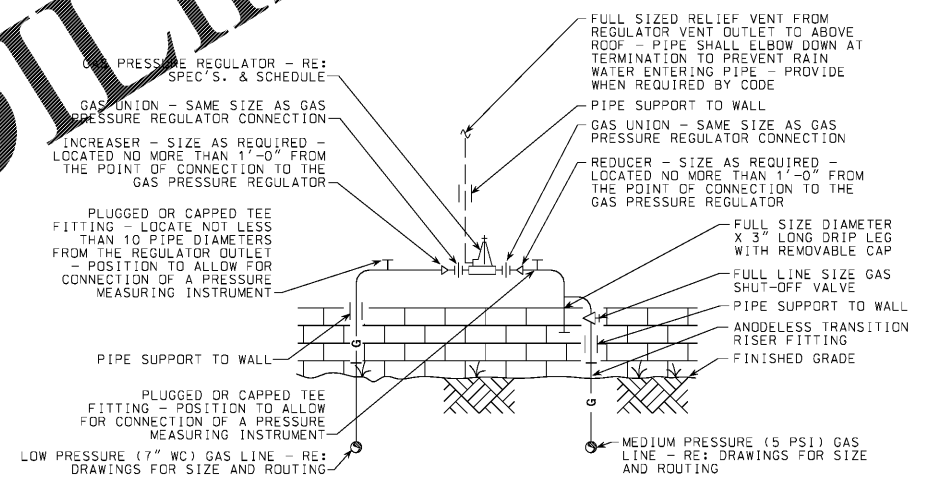


GAS CONNECTION DETAIL

SCALE: NONE

P501

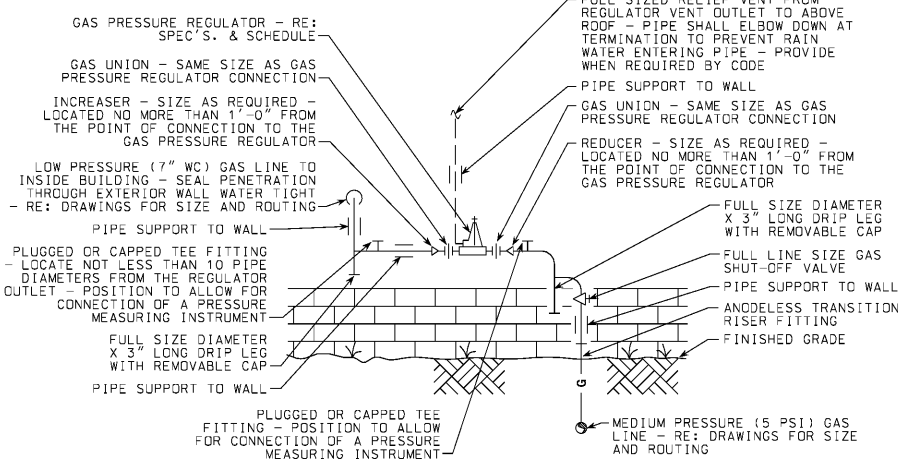
Order Plans @



GAS PRESSURE REGULATOR DETAIL

SCALE: NONE

P501



GAS PRESSURE REGULATOR DETAIL

SCALE: NONE

P501

**Southern A&E** ARCHITECTS & ENGINEERS  
 7951 Troon Circle  
 Austell, Ga. 30168  
 (770) 819-7777

REVISED  
 DATE: December 10 2019  
 JOB NUMBER: 01 610 296

HVAC RENOVATIONS FOR:  
**ARNALL MIDDLE SCHOOL GYMNASIUM**  
 COWETA COUNTY SCHOOL SYSTEM  
 NEWNAN, GEORGIA

STATE OF GEORGIA REGISTERED ARCHITECT  
 GREGORY SCHILIN

STATE OF GEORGIA REGISTERED ENGINEER  
 MICHAEL C. WALDRON

DRAWING NUMBER: **P501**