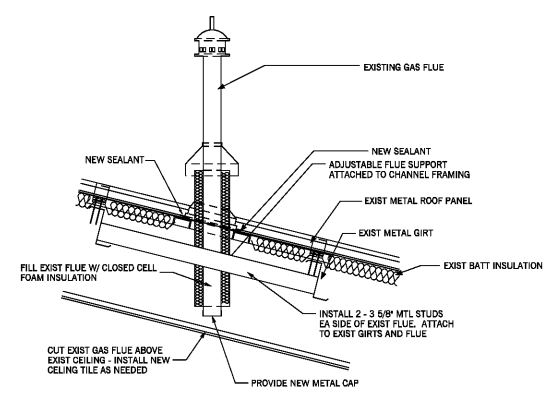
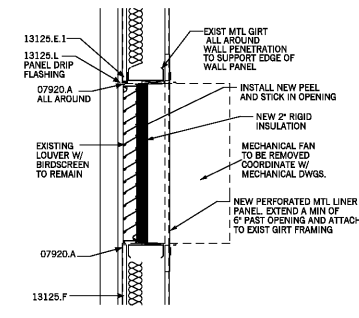


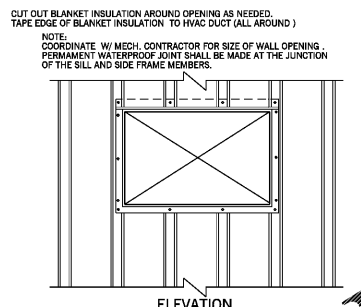
A
B
C
D
E
F
G
H
I
J
K
L
M
N



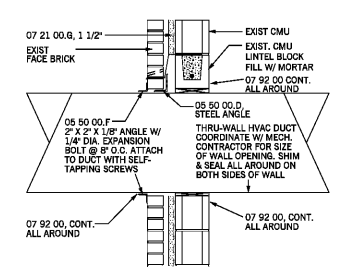
D3
A102
EXIST GAS FLUE CUT AND PATCH DETAIL
SCALE: 3/4" = 1'-0"



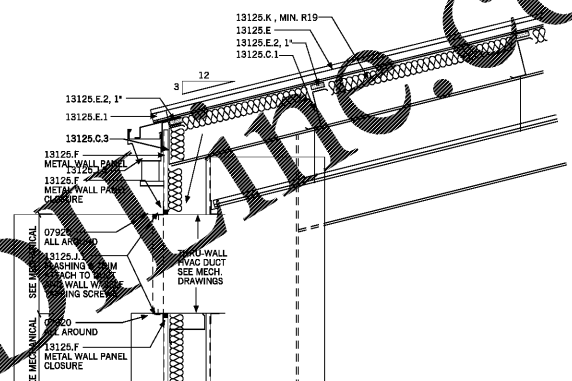
E6
A102
EXIST WALL FAN / LOUVER INFILL DETAIL
SCALE: 3/4" = 1'-0"



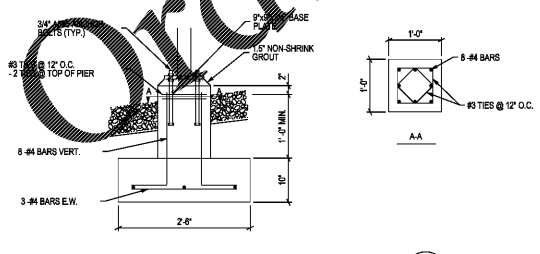
E9
A102
WALL PENETRATION ELEVATION
SCALE: 3/4" = 1'-0"



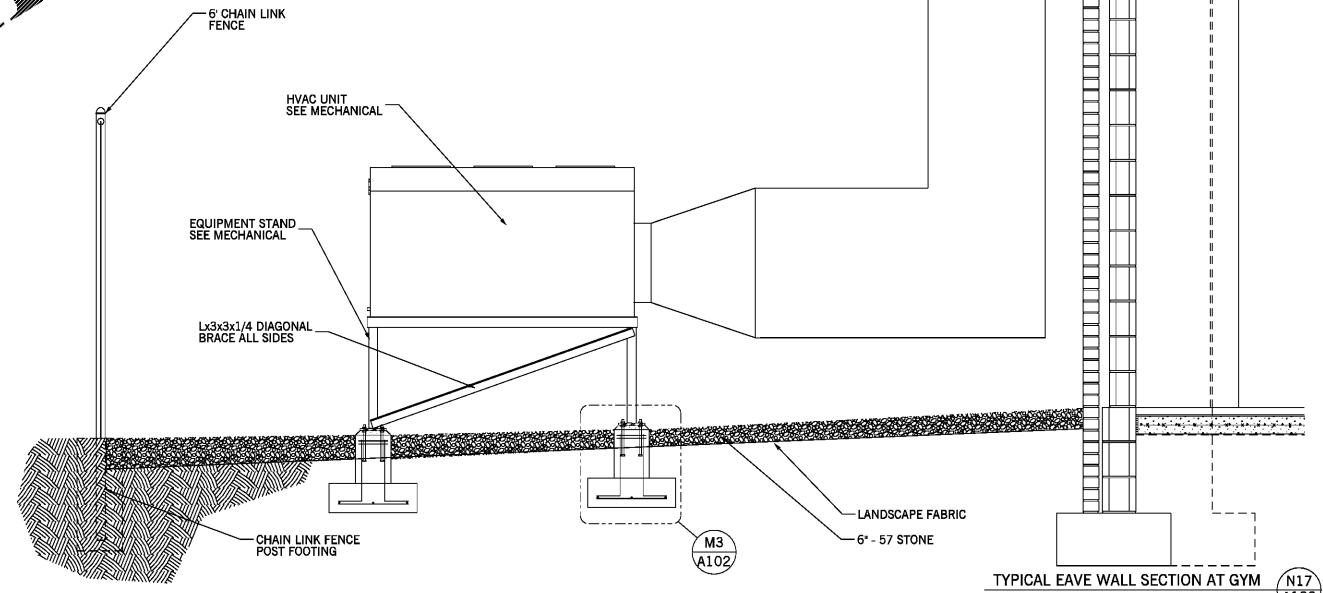
H5
A102
TYPICAL SECTION - THRU-WALL DUCT
3/4" = 1'-0"



N17
A102
TYPICAL EAVE WALL SECTION AT GYM
3/4" = 1'-0"



M3
A102
PIPE STAND FOOTING AND PIER DETAIL
SCALE: 3/4" = 1'-0"



Order Plans @ www.LDOnline.com

<p>Southern A&E REVISOR 7951 Iron Circle Austell, Ga. 30168 (770) 819-7777 architects & engineers</p>		<p>DATE: December 10 2019 JOB NUMBER: 01 610 296</p>
<p>© COPYRIGHT 2019 BY SOUTHERN A&E, L.L.C. ALL RIGHTS RESERVED. THIS DOCUMENT IS THE PROPERTY OF SOUTHERN A&E, L.L.C. AND SHALL NOT BE COPIED OR REPRODUCED IN WHOLE OR IN PART WITHOUT EXPRESSED WRITTEN CONSENT FROM SOUTHERN A&E, L.L.C.</p>		
<p>HVAC RENOVATIONS FOR: ARNALL MIDDLE SCHOOL GYMNASIUM COWETA COUNTY SCHOOL SYSTEM NEWNAN, GEORGIA</p>		
<p>STATE OF GEORGIA GREGORY SCHILLING REGISTERED ARCHITECT</p>	<p>DRAWING NUMBER A102</p>	