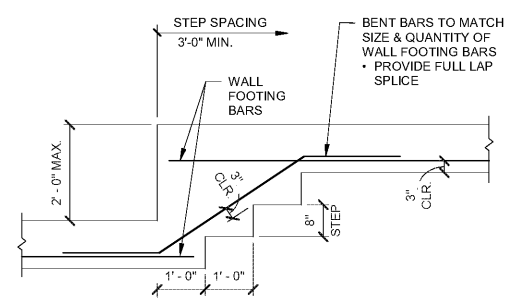


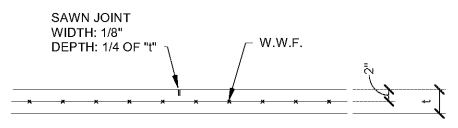
8/13/2019 3:14:38 PM E:\Dropbox (MH Structures)\Projects\008 Croft\081927 Paulding Fire Station #12\Drawings\2019-106 Paulding Fire Station #12_STR_RVT19.rvt
 © Copyright 2017 by Croft & Associates, PC. All rights reserved. This document is property of Croft & Associates, PC. It is to be used only for the specific project referred to or identified herein and is not to be used on other projects, in whole or in part, except by the express written agreement of Croft & Associates, PC.

ABBREVIATIONS

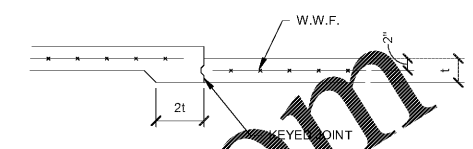
(S)	SLOPED	LBW	LOAD BEARING WALL
@	AT	LDT	LARGE DIAMETER TAPCON
ADJ	ADJUSTABLE	MAINT	MAINTENANCE
AFF	ABOVE FINISHED FLOOR	MANUF.	MANUFACTURER
ALT	ALTERNATE	MAX	MAXIMUM
ARCH	ARCHITECT	MECH	MECHANICAL
BF	BRACED FRAME	MEZZ	MEZZANINE
BLDG	BUILDING	MIN	MINIMUM
BM	BEAM	MISC	MISCELLANEOUS
BOTT	BOTTOM	N/A	NOT APPLICABLE
BOS	BOTTOM OF STEEL	NIC	NOT IN CONTRACT
BP	BASE PLATE	NTS	NOT TO SCALE
BRG	BEARING	o/c	ON CENTER
c/c	CENTER TO CENTER	OD	OUTSIDE DIAMETER
CJ	CONTROL JOINT	O.H.	OVERHANG
CL	CENTER LINE	OPP	OPPOSITE
CLG	CEILING	P.A.F.	POWER ACTUATED FASTENER
CLR	CLEAR	PL	PLATE
CMU	CONCRETE MASONRY UNIT	PLU	PLUMBING
COL	COLUMN	PNL	PANEL
CONC	CONCRETE	PREFAB	PREFABRICATED
CONSTRUCT	CONSTRUCTION	PT	PRESSURE TREATED
CONT.	CONTINUOUS	R, RAD	RADIUS
COORD.	COORDINATE	RCP	REFLECTED CEILING PLAN
DIA.	DIAMETER	RD	ROOF DRAIN
DIM	DIMENSION	REINF	REINFORCE (D) (ING) (MENT)
DN	DOWN	REQ, REQD	REQUIRED
DTL	DETAIL	REV	REVISION
DWG	DRAWING	RO	ROUGH OPENING
EA	EACH	RTU	ROOF TOP UNIT
EIFS	EXTERIOR INSULATION & FINISHING SYSTEM	SCHED.	SCHEDULE
EJ	EXPANSION JOINT	SHT	SHEET
EL, ELEV	ELEVATION	SIM	SIMILAR
ENG.	ENGINEER	SP	SOUTHERN PINE SPECIFICATION
EQ	EQUAL	SQ	SQUARE
EQUIP	EQUIPMENT	SS	STAINLESS STEEL
EW	EACH WAY	STD	STANDARD
EX, EXIST	EXISTING	STL	STEEL
EXT	EXTERIOR	STRUCT	STRUCTURAL
FD	FIELD DETERMINE	T, TOS	TOP OF STEEL
FDN	FOUNDATION	T.D., TD	TURN DOWN TO BE DETERMINED
FFE	FINISHED FLOOR ELEVATION	TBD	TO BE DETERMINED
FFL	FINISHED FLOOR LINE	THK	THICK
FT	FOOT/FEET	TOF	TOP OF FOOTING
FTG.	FOOTING	TOM	TOP OF MASONRY
FV	FIELD VERIFY	TW	TOP OF WALL
GA	GAUGE	T.O.P.	TOP OF PARAPET
GC	GENERAL CONTRACTOR	TYP.	TYPICAL
GEN	GENERAL	U.N.O.	UNLESS NOTED OTHERWISE
HT	HEIGHT	VAR	VARIES
HORIZ	HORIZONTAL	VERT	VERTICAL
HVAC	HEATING, VENTILATION & AIR CONDITIONING	W.P.	WORK POINT
ID	INSIDE DIAMETER	W.W.F.	WELDED WIRE FINISH
INSUL	INSULATION	W/	WITH
INT	INTERIOR		
L	LONG		



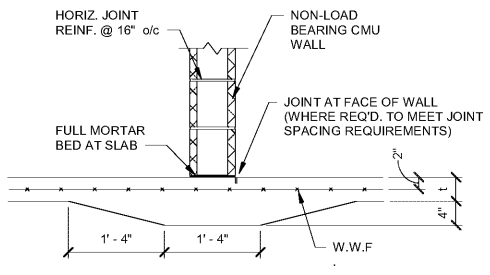
TYPICAL STEPPED FOOTING



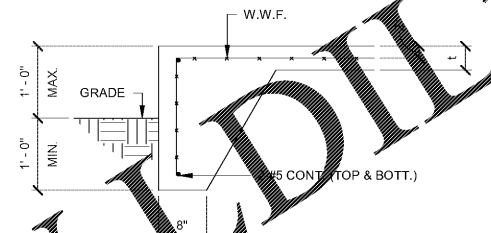
TYPICAL SLAB CONTROL JOINT



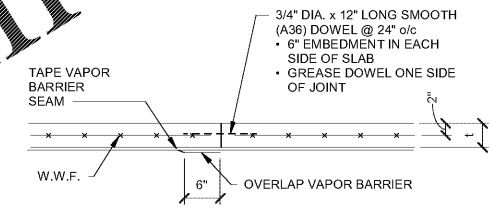
TYPICAL DEPRESSED SLAB ON-GRADE



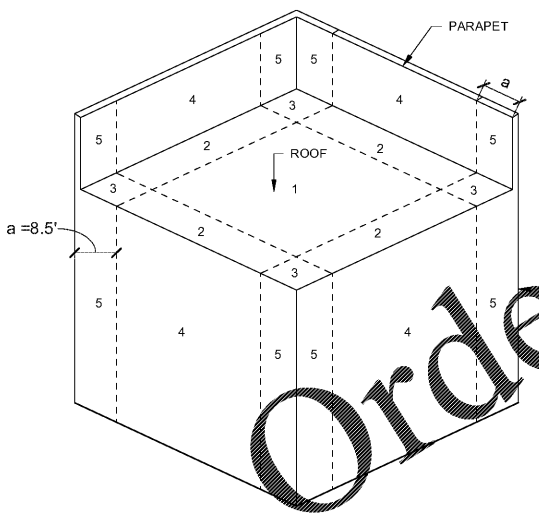
NON-LOAD BEARING CMU WALL LESS THAN 16'-0"



TYPICAL TURN-DOWN SLAB



TYPICAL SLAB CONSTRUCTION JOINT w/ DOWELS



TYPICAL BUILDING WIND ZONES: FLAT ROOF (θ ≤ 10°)

COMPONENTS & CLADDING WIND PRESSURES (P&F)				
ZONE	EFFECTIVE WIND AREA (SQ. FT.)			
	20	50	100	
ROOF				
FRONT SIDE				
1	+16 / -33	+16 / -32	+16 / -31	
2	+16 / -57	+16 / -51	+16 / -43	+16 / -37
3	+18 / -86	+16 / -71	+16 / -51	+16 / -37
4	+34 / -37	+32 / -35	+30 / -33	+29 / -32
5	+34 / -46	+32 / -42	+30 / -38	+29 / -35
BACK SIDE				
1	+29 / -52	+27 / -46	+25 / -38	+24 / -32
2	+29 / -81	+27 / -66	+25 / -346	+24 / -32
3	+29 / -32	+27 / -30	+25 / -28	+24 / -27
4	+29 / -40	+27 / -37	+25 / -33	+24 / -30
5	+81 / -61	+73 / -57	+63 / -53	+55 / -50
TOTAL (FRONT + BACK)				
1	+110 / -69	+93 / -65	+72 / -58	+55 / -54

NOTE: "+" AND "-" SIGNS INDICATE WIND ACTING TOWARD OR AWAY FROM SURFACE, RESPECTIVELY.

COMPONENTS & CLADDING WIND PRESSURES
3/4" = 1'-0"



Croft & Associates
3400 Blue Springs Road, Suite 200
Kennesaw, Georgia 30144
770.529.7714 (p) 770.529.7716 (f)
www.croftandassociates.com



5077 Dallas Hwy, Suite 201
Powder Springs, GA 30127
(404) 495-4889
www.mhstructures.co



OWNER
PAULDING COUNTY
BOARD OF COMMISSIONERS

Project Name

FIRE STATION #12
1303 SPRING ROAD
PAULDING COUNTY,
GA. 30132

No.	Date	Description
0	2019-08-13	PERMIT ISSUE
		ISSUANCE

PROJECT NUMBER
2019-106

DRAWN: CJ
CHECKED: MH

SHEET TITLE
TYPICAL DETAILS

SHEET NO.

S002