

SCHEDULE LEGEND		
Door/Frame Finishes		
ABBREVIATION	DESCRIPTION	SPECIFICATION
AL	ALUMINUM	094030
HM	HOLLOW METAL	081113
SC	SOLE COPE WOOD	084418
-	NO NEW FINISHES SCHEDULED	-

OPENING SCHEDULE							
NUMBER	DOOR/OPENING SIZE	DOOR		FRAME	HANDING GROUP	LABEL	REMARKS
		MATERIAL	ELEVATION				
1022	3'-0" x 7'-0"	SC	1	HM	A	H-02	
1023A	3'-0" x 7'-0"	SC	1	HM	A	H-02	
1023B	3'-0" x 7'-0"	SC	1	HM	A	H-02	
1024	PARR (2'-0" x 3'-0") x 7'-0"	SC	2 (G-2)	HM	B	H-08	DOUBLE EXCESS
1027	3'-0" x 7'-0"	SC	1	HM	A	H-08	
1028	PARR (2'-0" x 3'-0") x 7'-0"	SC	2 (G-2)	HM	B	H-07	DOUBLE EXCESS
1029	PARR (2'-0" x 4'-0") x 7'-0"	SC (L240)	1	HM (L240)	A	H-03	LEAD LINER OPENING
1030	824 WDR (2'-0" x 7'-0" x 3'-4 1/2" H.D.)	AL	2 (G-2)	AL	D	H-04	
1031	3'-0" x 7'-0"	SC	1	HM	A	H-04	
1032A	3'-0" x 7'-0"	SC	2 (G-2)	HM	A	H-01	
1032B	3'-0" x 7'-0"	SC (L240)	2 (G-2)	HM (L240)	A	H-01	LEAD LINER OPENING

SCHEDULE/DETAIL NOTES

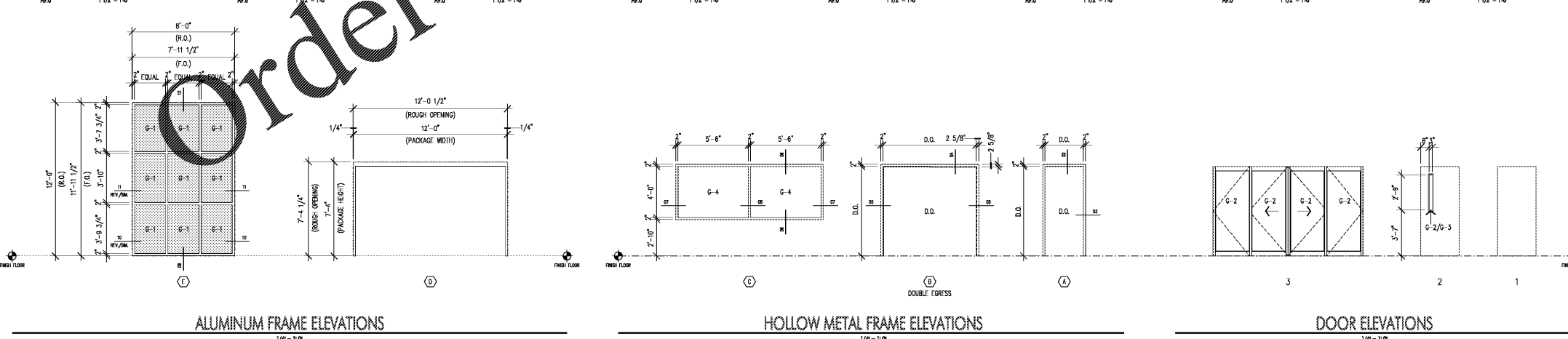
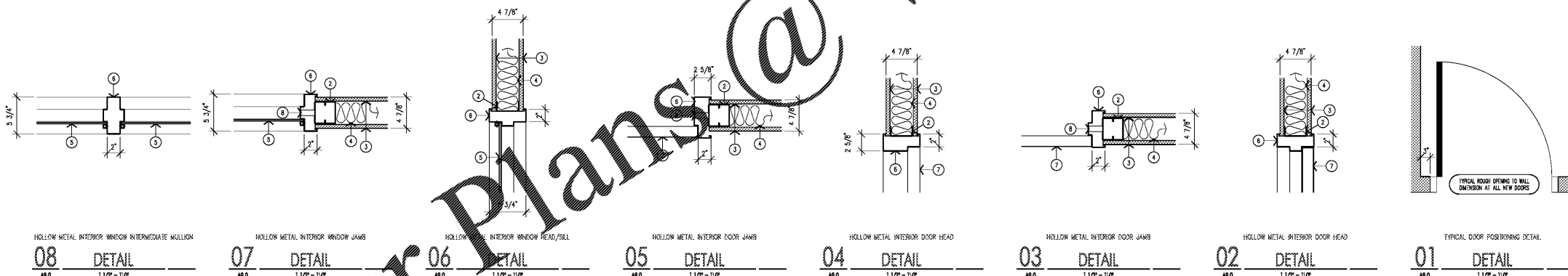
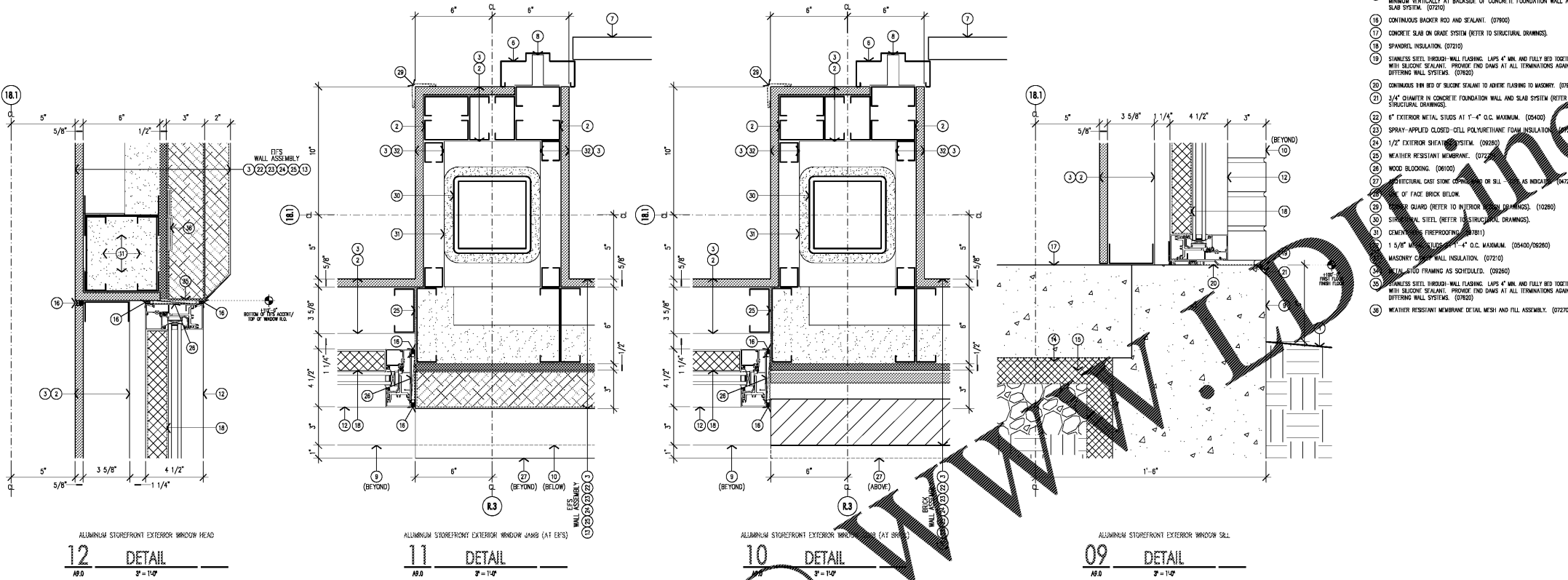
- FRESH GRADE ELEVATION VARIES (REFER TO CIVIL DRAWINGS).
- 3 1/2" METAL STUDS AT 1'-4" O.C. MAXIMUM. (05400/08280)
- 3/8" O.P.S.M. W/LLWOOD. (08280)
- ACOUSTICAL INSULATION (TYPE 1). (07210)
- BLADING AS SCHEDULED.
- HOLLOW METAL FRAME AS SCHEDULED. (0812)
- DOOR AS SCHEDULED (REFER TO OPENING SCHEDULE). (0821)
- FRAME ANCHOR. (0812)
- CONCRETE FOUNDATION SYSTEM (REFER TO STRUCTURAL DRAWINGS). PROVIDE A MINIMUM 1/2" OF CONCRETE ON EXTERIOR FACE OF FOUNDATION WALL FOR THE ENTIRE DEPTH OF THE WALL WHERE EXPOSED.
- FACE BRICK (TYPE 2). (04210)
- BOVED HEADER. (05400)
- GLAZED ALUMINUM STOREFRONT SYSTEM. (08400)
- EXTERIOR INSULATION AND FINISH SYSTEM. (07240)
- SHEET VAPOR BARRIER CONTINUOUS AT BACKSIDE OF CONCRETE FOUNDATION WALL AND SLAB SYSTEM (REFER TO STRUCTURAL DRAWINGS).
- PERIMETER FOUNDATION INSULATION CONTINUOUS HORIZONTALLY AND 2'-0" MINIMUM VERTICALLY AT BACKSIDE OF CONCRETE FOUNDATION WALL AND SLAB SYSTEM. (07210)
- CONTINUOUS BACKER ROD AND SEALANT. (07800)
- CONCRETE SLAB ON GRADE SYSTEM (REFER TO STRUCTURAL DRAWINGS).
- SPANDREL INSULATION. (07210)
- STAINLESS STEEL THROUGH-WALL FLASHING, LAPS 4" MIN. AND FULLY BED TOGETHER WITH SLOTTED SEALANT. PROVIDE END DAMS AT ALL TERMINATIONS AGAINST DIFFERING WALL SYSTEMS. (07820)
- 6" EXTERIOR METAL STUDS AT 1'-4" O.C. MAXIMUM. (05400)
- SPRAY-APPLIED CLOSED-CELL POLYURETHANE FOAM INSULATION. (07210)
- 1/2" EXTERIOR SHEAT SYSTEM. (09280)
- WEATHER RESISTANT MEMBRANE. (07210)
- WOOD BLOCKING. (08100)
- STRUCTURAL CAST STONE CONCRETE OR SILL AS INDICATED. (04720)
- 1/2" OF FACE BRICK BELOW.
- WOOD BLOCKING (REFER TO INTERIOR DRAWINGS). (10280)
- SPANDREL STEEL (REFER TO STRUCTURAL DRAWINGS).
- CONCRETE FLOORING. (0701)
- 3 1/2" METAL STUDS AT 1'-4" O.C. MAXIMUM. (05400/08280)
- MASONRY CURB WALL INSULATION. (07210)
- STEEL STUD FRAMING AS SCHEDULED. (08280)
- STAINLESS STEEL THROUGH-WALL FLASHING, LAPS 4" MIN. AND FULLY BED TOGETHER WITH SLOTTED SEALANT. PROVIDE END DAMS AT ALL TERMINATIONS AGAINST DIFFERING WALL SYSTEMS. (07820)
- WEATHER RESISTANT MEMBRANE DETAIL MESH AND FILL ASSEMBLY. (07210)

GENERAL NOTES

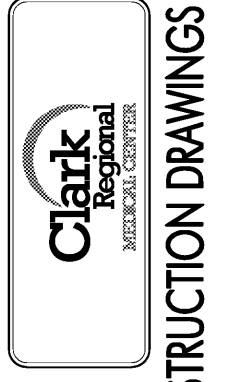
- CONTRACTOR SHALL VERIFY FINAL COORDINATION OF ALL EQUIPMENT INCLUDING CONTRACTOR FURNISHED ARCHITECTURAL, MECHANICAL, PLUMBING AND ELECTRICAL ITEMS ASSOCIATED WITH EQUIPMENT. WITH OWNER AND ARCHITECT PRIOR TO COMMENCEMENT OF CONSTRUCTION.
- ALL DIMENSIONS ARE FROM FINISH FACE OF WALL TO FINISH FACE OF WALL UNLESS OTHERWISE NOTED.
- PROVIDE ADA COMPLIANT TRANSITION/BUILDUP ELEMENTS AS REQUIRED AT ALL INTERSECTIONS OF DIFFERING FLOOR FINISHES AND DOOR OPENINGS.
- PROVIDE SEALANT TYPICAL AT ALL JOINTS OF ALL ASSEMBLIES. (07800)
- THE DETAILS COLUMN ON OPENING SCHEDULE REFERENCE DETAILS ON THIS SHEET.
- CONTRACTOR SHALL VERIFY THE THICKNESS OF ALL EXISTING WALL PARTITIONS SCHEDULED TO REMAIN THROUGHOUT THE PROJECT AREA AND ADJUST THE THICKNESS OF NEW HOLLOW METAL FRAME TO BE LOCATED WITHIN THE WALL PARTITIONS ACCORDINGLY PRIOR TO CONSTRUCTION.
- REFERENCE MECHANICAL, PLUMBING, AND ELECTRICAL DRAWINGS FOR ELEVATION OF ALL ASSEMBLIES WITHIN THEIR RESPECTIVE PORTIONS OF WORK.
- CL.F.C.I. INDICATES OWNER FURNISHED, OWNER INSTALLED EQUIPMENT. O.F.C.I. INDICATES OWNER FURNISHED, CONTRACTOR INSTALLED EQUIPMENT.
- CL.F.C.I. INDICATES CONTRACTOR FURNISHED, CONTRACTOR INSTALLED EQUIPMENT.
- ALL EQUIPMENT SHALL BE CONSIDERED OWNER FURNISHED UNLESS OTHERWISE NOTED.

EQUIPMENT SCHEDULE

NUMBER	EQUIPMENT	REMARKS
200	DRYER	O.F.C.I.
210	LINEAR HAMPER	O.F.C.I.
220	SWAPPER	O.F.C.I.
230	GLASS BOX	O.F.C.I.
240	BIOSCOPE MONITOR	V.F.V.L.
250	TRANSPORT MONITOR	V.F.V.L.
260	MONITOR, WALL CHANDEL, AND ARM MOUNT	V.F.V.L.
270	WASTE RECEPTACLE	O.F.C.I.
280	WASTE RECEPTACLE	O.F.C.I.
290	LINEAR CART	O.F.C.I.
300	STORAGE SHELVING	O.F.C.I.
310	ELECTROSCOPICAL UNIT	O.F.C.I.
320	WASTE RECEPTACLE	O.F.C.I.
330	WASTE RECEPTACLE	O.F.C.I.
340	WASTE RECEPTACLE	O.F.C.I.
350	WASTE RECEPTACLE	O.F.C.I.
360	WASTE RECEPTACLE	O.F.C.I.
370	WASTE RECEPTACLE	O.F.C.I.
380	WASTE RECEPTACLE	O.F.C.I.
390	WASTE RECEPTACLE	O.F.C.I.
400	WASTE RECEPTACLE	O.F.C.I.
410	WASTE RECEPTACLE	O.F.C.I.
420	WASTE RECEPTACLE	O.F.C.I.
430	WASTE RECEPTACLE	O.F.C.I.
440	WASTE RECEPTACLE	O.F.C.I.
450	WASTE RECEPTACLE	O.F.C.I.
460	WASTE RECEPTACLE	O.F.C.I.
470	WASTE RECEPTACLE	O.F.C.I.
480	WASTE RECEPTACLE	O.F.C.I.
490	WASTE RECEPTACLE	O.F.C.I.
500	WASTE RECEPTACLE	O.F.C.I.
510	WASTE RECEPTACLE	O.F.C.I.
520	WASTE RECEPTACLE	O.F.C.I.
530	WASTE RECEPTACLE	O.F.C.I.
540	WASTE RECEPTACLE	O.F.C.I.
550	WASTE RECEPTACLE	O.F.C.I.
560	WASTE RECEPTACLE	O.F.C.I.
570	WASTE RECEPTACLE	O.F.C.I.
580	WASTE RECEPTACLE	O.F.C.I.
590	WASTE RECEPTACLE	O.F.C.I.
600	WASTE RECEPTACLE	O.F.C.I.
610	WASTE RECEPTACLE	O.F.C.I.
620	WASTE RECEPTACLE	O.F.C.I.
630	WASTE RECEPTACLE	O.F.C.I.
640	WASTE RECEPTACLE	O.F.C.I.
650	WASTE RECEPTACLE	O.F.C.I.
660	WASTE RECEPTACLE	O.F.C.I.
670	WASTE RECEPTACLE	O.F.C.I.
680	WASTE RECEPTACLE	O.F.C.I.
690	WASTE RECEPTACLE	O.F.C.I.
700	WASTE RECEPTACLE	O.F.C.I.
710	WASTE RECEPTACLE	O.F.C.I.
720	WASTE RECEPTACLE	O.F.C.I.
730	WASTE RECEPTACLE	O.F.C.I.
740	WASTE RECEPTACLE	O.F.C.I.
750	WASTE RECEPTACLE	O.F.C.I.
760	WASTE RECEPTACLE	O.F.C.I.
770	WASTE RECEPTACLE	O.F.C.I.
780	WASTE RECEPTACLE	O.F.C.I.
790	WASTE RECEPTACLE	O.F.C.I.
800	WASTE RECEPTACLE	O.F.C.I.
810	WASTE RECEPTACLE	O.F.C.I.
820	WASTE RECEPTACLE	O.F.C.I.
830	WASTE RECEPTACLE	O.F.C.I.
840	WASTE RECEPTACLE	O.F.C.I.
850	WASTE RECEPTACLE	O.F.C.I.
860	WASTE RECEPTACLE	O.F.C.I.
870	WASTE RECEPTACLE	O.F.C.I.
880	WASTE RECEPTACLE	O.F.C.I.
890	WASTE RECEPTACLE	O.F.C.I.
900	WASTE RECEPTACLE	O.F.C.I.
910	WASTE RECEPTACLE	O.F.C.I.
920	WASTE RECEPTACLE	O.F.C.I.
930	WASTE RECEPTACLE	O.F.C.I.
940	WASTE RECEPTACLE	O.F.C.I.
950	WASTE RECEPTACLE	O.F.C.I.
960	WASTE RECEPTACLE	O.F.C.I.
970	WASTE RECEPTACLE	O.F.C.I.
980	WASTE RECEPTACLE	O.F.C.I.
990	WASTE RECEPTACLE	O.F.C.I.
1000	WASTE RECEPTACLE	O.F.C.I.



613 WEST MAIN STREET
LOUISVILLE, KENTUCKY 40202
502.893.1875
502.893.1876 fax



SCHEDULES/DOORS/FRAME ELEVATIONS/DETAILS
CATH LAB SUITE ADDITION
CLARK REGIONAL MEDICAL CENTER
WINCHESTER, KENTUCKY

30 DECEMBER 2019
CMI1807

A9.0

CONSTRUCTION DRAWINGS