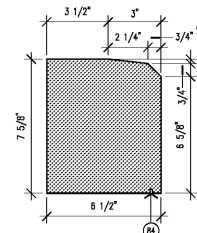
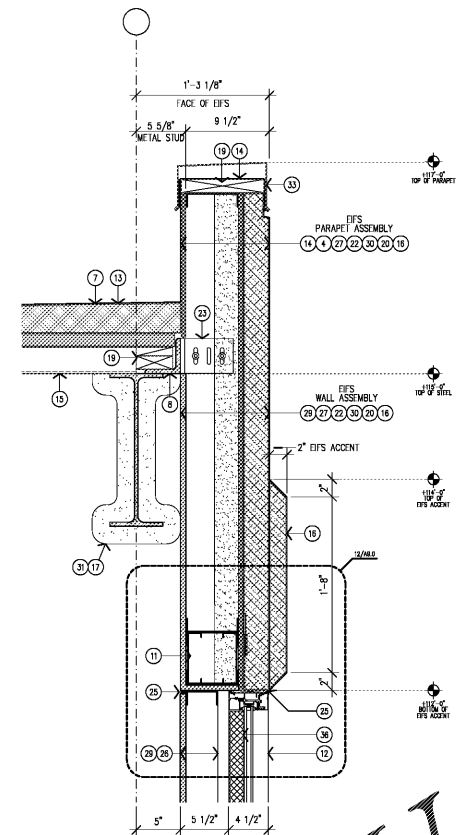


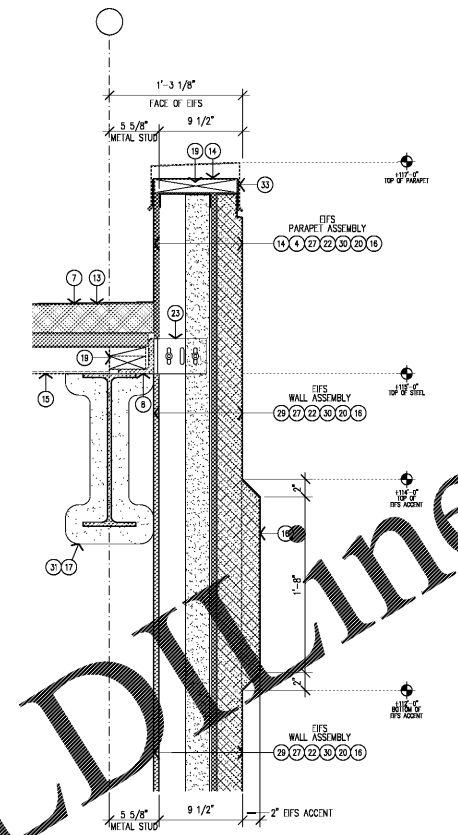
Order Plans @



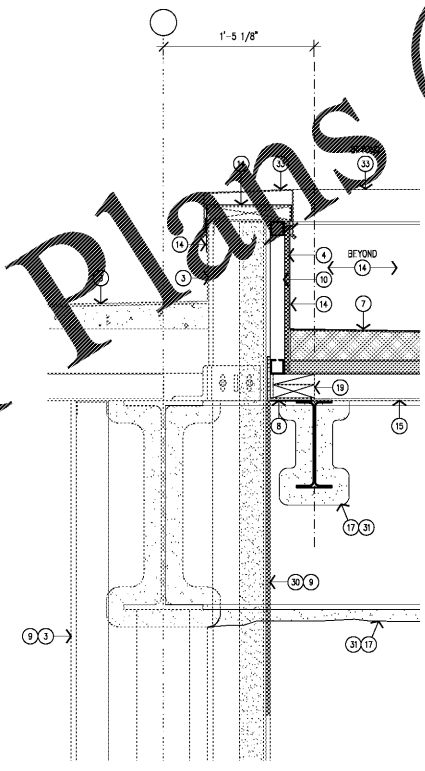
06 CAST STONE SECTION DETAIL  
1/2" = 1'-0"



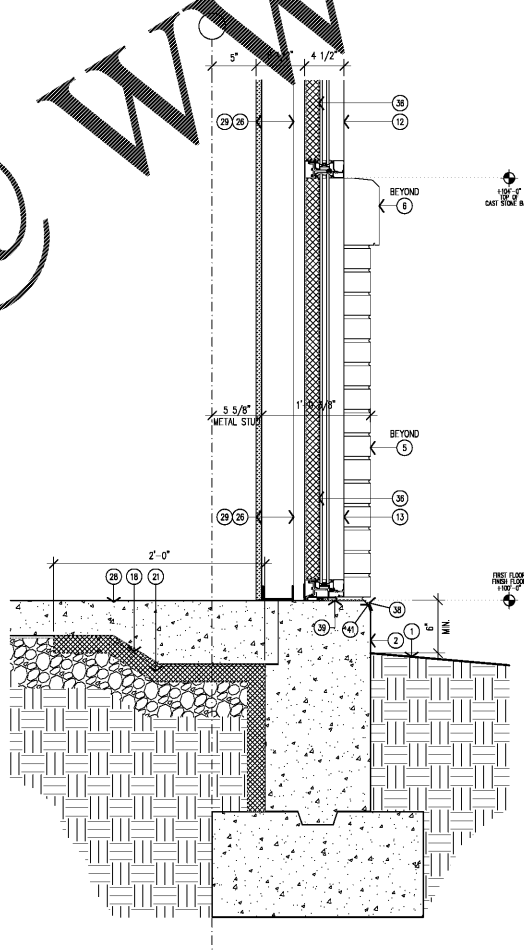
04 SECTION DETAIL  
1/2" = 1'-0"



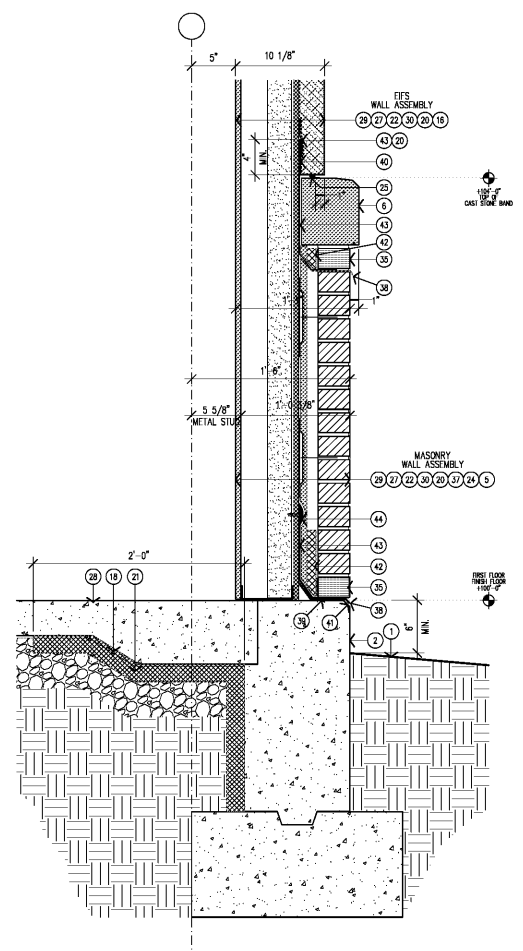
02 SECTION DETAIL  
1/2" = 1'-0"



05 SECTION DETAIL  
1/2" = 1'-0"



03 SECTION DETAIL  
1/2" = 1'-0"



01 SECTION DETAIL  
1/2" = 1'-0"

GENERAL NOTES

1. REFER TO CIVIL, STRUCTURAL, MECHANICAL, PLUMBING, AND ELECTRICAL DRAWINGS FOR DELINEATION OF ALL ASSEMBLIES WITHIN THEIR RESPECTIVE PORTIONS OF WORK.
2. CONTRACTOR SHALL VERIFY EXISTING SITE CONDITIONS AND SHALL NOTIFY ARCHITECT IMMEDIATELY OF ANY DISCREPANCIES BETWEEN EXISTING CONDITIONS AND CONDITIONS SHOWN IN THE CONSTRUCTION DRAWINGS.
3. CONTRACTOR SHALL VERIFY FINAL CONFIGURATION OF ALL EQUIPMENT, INCLUDING CONTRACTOR FURNISHED ARCHITECTURAL, MECHANICAL, PLUMBING, AND ELECTRICAL. ITEMS ASSOCIATED WITH EQUIPMENT, WILL CHECK AND NOTIFY ARCHITECT PRIOR TO COMMENCEMENT OF CONSTRUCTION.
4. REFER TO CIVIL AND STRUCTURAL DRAWINGS AND SPECIFICATIONS FOR GEOTECHNICAL ENGINEERING FILL REQUIREMENTS.
5. ALL DIMENSIONS ARE FROM FINISH FACE OF WALL TO FINISH FACE OF WALL UNLESS OTHERWISE NOTED.

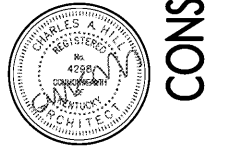
SECTION NOTES

1. FINISH GRADE ELEVATION VIEWS (REFER TO CIVIL DRAWINGS)
2. CONCRETE FOUNDATION SYSTEM (REFER TO STRUCTURAL DRAWINGS) AND A SMOOTH REBUILT FINISH AT THE EXTERIOR FACE OF CONCRETE FOUNDATION WALL TO THE DEPTH OF THE WALL WHERE EXPOSED.
3. EXISTING CONSTRUCTION.
4. 1/2" GLASSMAT FACED EIFS PARAPET SYSTEM (09280)
5. FACE BRICK (118 2) (0410)
6. ARCHITECTURAL STONE COPING (REFER TO DETAIL 04(A1), (04720))
7. EXISTING ROOFING INSULATION SYSTEM (R-30 AVERAGE) (REFER TO STRUCTURAL DRAWINGS)
8. STRUCTURAL STEEL (REFER TO STRUCTURAL DRAWINGS)
9. SEAL PENETRATING TO MAINTAIN WALL RAINING (REFER TO FLOOR PLAN FOR EXTERNS)
10. 2" EIFS ACCENT (05400/09280)
11. BOULTY HEADER (05400)
12. GLAZED ALUMINUM SHORTRISE SYSTEM (08400)
13. TAPERED ROOFING INSULATION SYSTEM (07500)
14. FLUTE-BACK SINGLE-PLY MEMBRANE ROOFING SYSTEM (07500)
15. METAL ROOF DECK SYSTEM (REFER TO STRUCTURAL DRAWINGS)
16. EXTERIOR INSULATION AND FINISH SYSTEM (07240)
17. STRUCTURAL STEEL (REFER TO STRUCTURAL DRAWINGS)
18. SHEET VAPOR BARRIER CONTINUOUS AT BACKSIDE OF CONCRETE FOUNDATION WALL AND SLAB SYSTEM (REFER TO STRUCTURAL DRAWINGS)
19. PRESERVATIVE TREATED WOOD BLOCKING (06100)
20. WEATHER RESISTANT MEMBRANE (07210)
21. PERIMETER FOUNDATION INSULATION CONTINUOUS HORIZONTALLY AND 1'-0" MINIMUM VERTICALLY AT BACKSIDE OF CONCRETE FOUNDATION WALL AND SLAB SYSTEM (07210)
22. SPRAY-APPLIED CLOSED-CELL POLYURETHANE FOAM INSULATION (07210)
23. SLOTTED METAL STUD VERTICAL DEFLECTION CLIP (05400)
24. TWO PRECAST ADJUSTABLE MASONRY VENEER ANCHORS AT 1'-4" O.C. HORIZONTALLY AND VERTICALLY (04210)
25. CONTINUOUS BACKET ROD AND SEALANT (07800)
26. 3/8" METAL STUDS (05400/09280)
27. 2" METAL STUDS (05400)
28. CONCRETE SLAB ON GRADE SYSTEM (REFER TO STRUCTURAL DRAWINGS)
29. 5/8" GYPSUM WALLBOARD (09280)
30. 1/2" EXTERIOR SHEATHING SYSTEM (09280)
31. CONTINUOUS FIREPROOFING (07811)
32. SUSPENDED ACOUSTICAL CEILING SYSTEM (09211)
33. PREFINISHED ALUMINUM COPING SYSTEM (07820)
34. CONCRETE SLAB/METAL DECK ASSEMBLY (REFER TO STRUCTURAL DRAWINGS)
35. CELL VENT WEPS AT 2'-0" O.C. HORIZONTALLY (04210)
36. SPANREL INSULATION (07210)
37. MASONRY CAVITY WALL INSULATION (07210)
38. STAINLESS STEEL THROUGH-WALL FLASHING, LAPS 4" MAX AND FULLY BED TOGETHER WITH SILICONE SEALANT, PROVIDE END DAMS AT ALL TERMINATIONS AGAINST SETTING WALL SYSTEMS (07800)
39. CONTINUOUS BEN BED OF SILICONE SEALANT TO ADHERE FLASHING TO MASONRY (07800)
40. 1/2" STARTER TRACK ASSEMBLY (07240)
41. 1/4" CHAMFER IN CONCRETE FOUNDATION WALL AND SLAB SYSTEM (REFER TO STRUCTURAL DRAWINGS)
42. CAVITY VENTILATION/DRAINAGE MATERIAL (04210)
43. FLEXIBLE FLASHING (07800) HOLD TOE EDGE 1/2" BACK FROM FACE OF BRICK.
44. BRONZE-GRADE DAMPROOFING OR POLYURETHANE SEALANT (07800) OVER CONTINUOUS TERMINATION BAR SCREWED TO EACH STUD OR EVERY 1'-4" O.C.



613 WEST MAIN STREET  
LOUISVILLE, KENTUCKY 40202  
502.693.1875  
502.693.1876 fax

- Civil Engineering
- CRUNK ENGINEERING
- Structural Engineering
- SKYHOOK
- STRUCTURAL ENGINEERS, P.C.
- Mechanical/Electrical Engineering
- cmrta
- Interior Design
- RA



SECTION DETAILS  
CATH LAB SUITE ADDITION  
CLARK REGIONAL MEDICAL CENTER  
WINCHESTER, KENTUCKY

30 DECEMBER 2019  
CMI1807

A7.1

CONSTRUCTION DRAWINGS