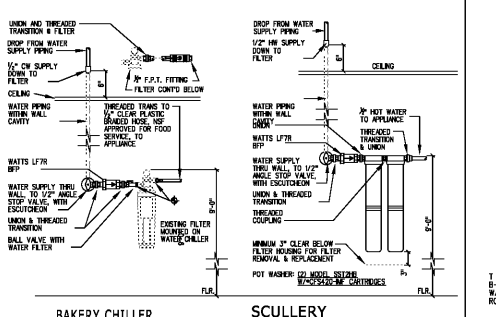
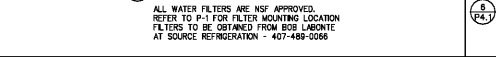


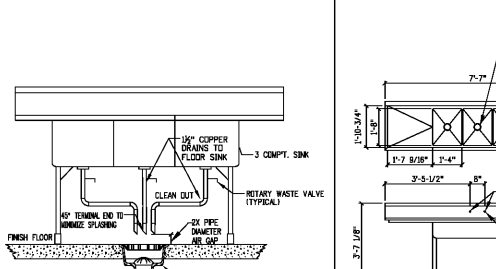
BAKERY CHILLED WATER SYSTEM N.T.S.



BAKERY CHILLER N.T.S.



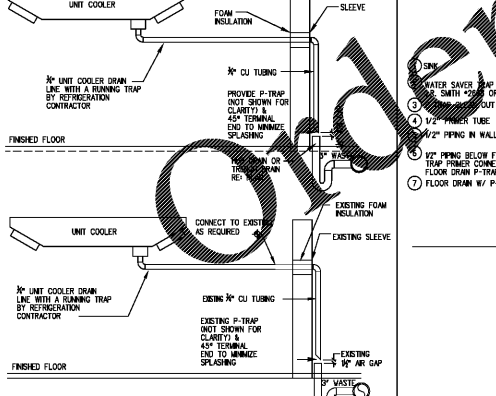
WATER FILTER DETAILS N.T.S.



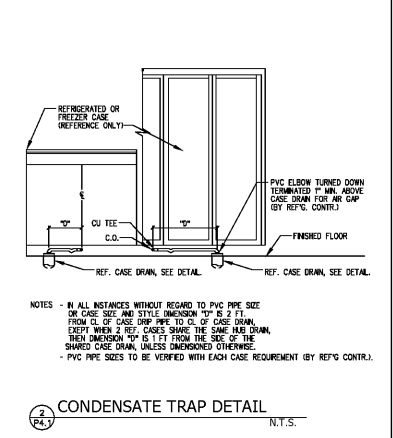
WASTE PIPING FOOD PREPARATION DETAIL N.T.S.



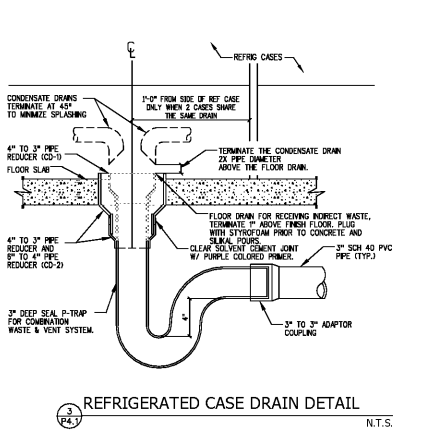
SCULLERY SINK N.T.S.



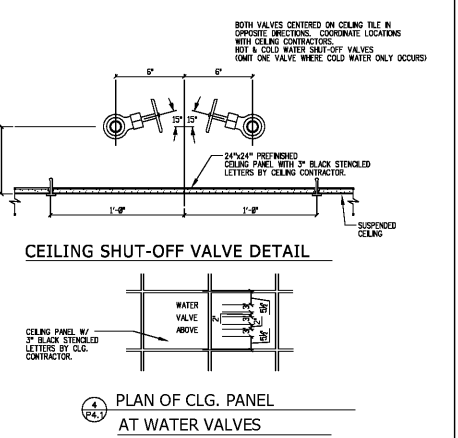
UNIT COOLER PIPING DETAIL N.T.S.



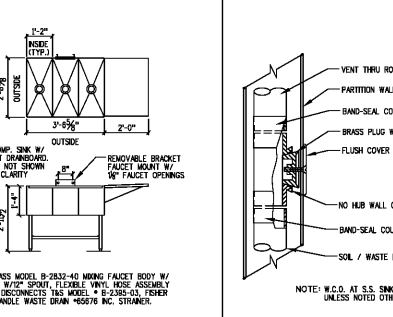
CONDENSATE TRAP DETAIL N.T.S.



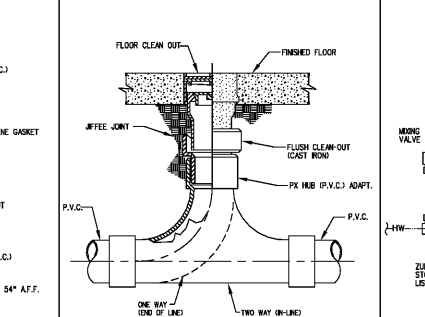
REFRIGERATED CASE DRAIN DETAIL N.T.S.



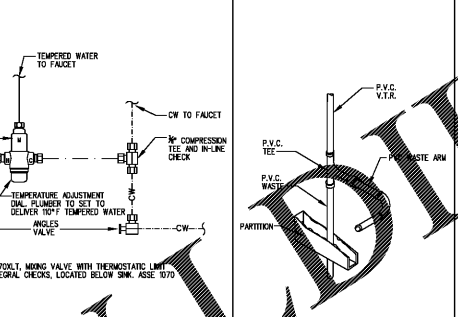
CEILING SHUT-OFF VALVE DETAIL N.T.S.



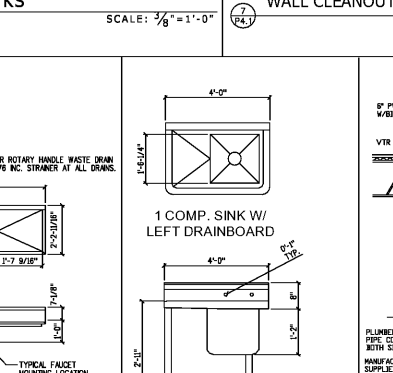
3 COMP. MOBILE SINKS SCALE: 3/8\"/>



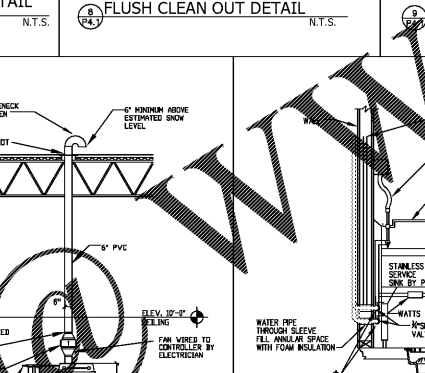
WALL CLEANOUT DETAIL N.T.S.



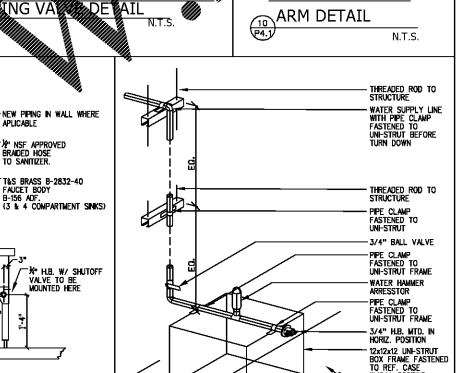
FLUSH CLEAN OUT DETAIL N.T.S.



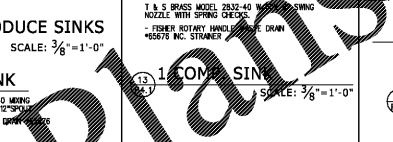
1 COMP. SINK W/ LEFT DRAINBOARD SCALE: 3/8\"/>



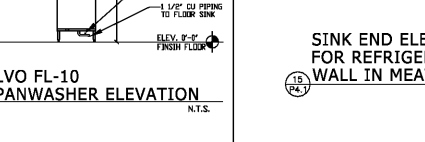
LVO FL-10 PANWASHER ELEVATION N.T.S.



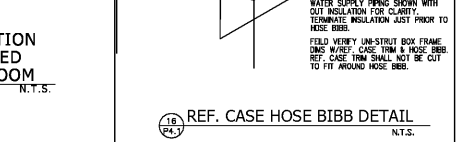
SINK END ELEVATION FOR REFRIGERATED WALL IN MEAT ROOM N.T.S.



WATER Saver TRAP PRIMER N.T.S.



FLOOR DRAIN DETAIL N.T.S.



COMBI-THERM STACKED OVENS N.T.S.

MARK	FITURE	AMERICAN STANDARD OR AS NOTED	SERVICE CONNECTIONS			SUPPLIED BY	REMARKS
			TRAP/RAIN CONNECTION	CV	HV		
P-2	WC - WATERCLOSET (R.C.)	MODEL: MADERA 3043.001 ELONGATED, 17 1/2\"/>					
P-4	LAV - LAVATORY	MODEL: MADERA 3043.001 ELONGATED, 17 1/2\"/>					
P-7	HND-SNK	MODEL: ELKAY 30171958 18 GA. TYPE 304 S.S. 16-3/4\"/>					
P-7	RELOCATED HND-SNK	EXISTING PROVIDE ZURN Z83020171 MONG VALVE W/ THERMOSTATIC LIMIT STOP & MANUAL CHECK, LOCKED BELOW SINK. SEE S70 LISTED.					
P-9	KS - SINK	MODEL: STAINLESS STEEL SINK (FINISHED BY PLUMBER AND INSTALLED BY PLUMBER, W/ 2.2 GPM Aerator) HANDLE WASTE DRAIN 1/2\"/>					
P-9	RELOCATED KS - SINK	EXISTING RELOCATED. PROVIDE NEW FISHBONE TUBULAR WASTE DRAIN 1/2\"/>					
P-9	OFF - ELEC. DNG. FYN. DECATED	EXISTING RELOCATED. PROVIDE NEW FISHBONE TUBULAR WASTE DRAIN 1/2\"/>					
P-9	HND (HND-SNK)	EXISTING RELOCATED. PROVIDE NEW FISHBONE TUBULAR WASTE DRAIN 1/2\"/>					

PLUMBING NOTES (APPLY TO ALL SHEETS):

- VERIFY ALL DIMENSIONS. VERIFY DIMENSIONS OF PUBLIC REST ROOM LAVATORY FACETS BEFORE ORDERING NEW FACETS.
- MINIMUM SLOPE FOR SOL & WASTE LINES SHALL BE: 1/4\"/>
- COORDINATE WORK WITH ARCHITECTURAL, STRUCTURAL, AND ELECTRICAL DRAWINGS.
- PROVIDE TRAP SEAL TO ALL NEW HUB DRAINS AND FLOOR DRAINS NOT RECEIVING CONDENSATE.
- CONCRETE REPAIRS SHALL MEET MINIMUM OF STRUCTURAL/ARCHITECTS APPROVAL.
- PROVIDE UNIONS AND STOP VALVES FOR ALL NEW WATER CONNECTIONS.
- COORDINATE ALL DIMENSIONS WITH GENERAL CONTRACTOR FOR LOCATION OF EQUIPMENT, FEATURE OPENINGS AND DRAINS.
- CONTRACTOR SHALL REMOVE ALL SUPPORTING FACILITIES NO LONGER NEEDED OR MADE OBSOLETE BY NEW EQUIPMENT AND MATERIALS BEING FURNISHED UNDER THIS CONTRACT.
- UNLESS OTHERWISE NOTED ALL MATERIALS AND EQUIPMENT SHOWN OR SPECIFIED TO BE REMOVED SHALL REMAIN THE PROPERTY OF THE OWNER AND SHALL BE HANDLED OVER TO THE OWNER IN ITS ORIGINAL CONDITION FOR FURTHER DIRECTIVE.
- CONTRACTOR SHALL DO ANY AND ALL CUTTING AND PATCHING REQUIRED FOR THIS SCOPE OF WORK RESTORING ALL SURFACES TO THEIR ORIGINAL CONDITION. COORDINATE WITH GENERAL CONTRACTOR.
- ALTERNATIONS TO ANY STRUCTURAL MEMBER, EITHER STEEL, CONCRETE OR WOOD, SHALL REQUIRE THE APPROVAL OF THE ARCHITECT/ENGINEER.
- CONTRACTOR SHALL VISIT SITE AND BECOME FAMILIAR WITH ALL EXISTING CONDITIONS, AND VERIFY EXACT LOCATION, QUANTITY AND SIZE OF ALL EQUIPMENT, AND PIPES BEFORE SUBMITTING HIS BID.
- WATER SUPPLY PIPING WHICH IS OUT OR MOORED SHALL BE INSTALLED FOR CONTINUOUS FLOW WITHOUT DEAD-ENDS.
- SIZES FOR EXISTING PIPING ARE SHOWN FOR REFERENCE ONLY.
- ALL EXISTING PLUMBING PIPING AND FIXTURES SHALL REMAIN UNLESS NOTED OTHERWISE.
- NEW FIXTURES SHALL BE CONNECTED TO EXISTING AND/OR NEW DRAINS AND PIPING. PROVIDE NEW PIPING AS REQUIRED TO MEET CODE.
- FINISH STOPS ON ALL WATER SUPPLIES: CHROME PLATE ESCUTCHEONS AT ALL OPENINGS IN WALLS, OR FLOOR AND SUPPLY CHROME HOLE COVER.
- TOP OF NEW HORIZONTAL UNDERGROUND DRAIN PIPE SHALL BE A MINIMUM OF TWELVE (12) INCHES BELOW FLOOR SLAB WHERE POSSIBLE.
- WHERE PIPES ARE DISCONNECTED FOR THE RELOCATION OR ADDITION OF EQUIPMENT, THEY SHALL BE RECONNECTED AND MADE FULLY OPERATIONAL.
- CHECK FINAL ARCHITECTURAL PLANS BEFORE ROUGH-IN WATER, SOL, AND WASTE LINES.
- ALL NEW FLOOR DRAINS SHALL HAVE 4\"/>
- ALL NEW VENTS IN OUTSIDE WALLS SHALL HAVE OFFSET TOWARD THE CENTER OF THE BUILDING 3/4\"/>
- CONTRACTOR SHALL PROVIDE NEW TO EXISTING CONNECTIONS WITHIN 10'-0\"/>

MARK	DESCRIPTION	SMITH	ZURN	PLASTIC COOKIES PVC / ABS	COMMENTS
CD-3	FLOOR CLEAN OUT NICKEL BRONZE VENER, HEAVY DUTY	4311-14B	ZN-1402-18 OR 25-1402-18	---	SEE FLUSH CLEANOUT DETAIL.
CD-1	4\"/>	---	---	---	SEE REFRIGERATED CASE DETAIL.
WCD	WALL CLEAN OUT, CAST IRON TEE, W/ BRONZE FLUG, S.S. COVER	4531	2-1448-8P	---	SEE WALL CLEANOUT DETAIL.
D-2	12\"/>	2233 CO3-14B-S5B-P	ZN-541-P-S-Y	---	PERFORATED SEGMENT BUCKET W/ S.S. MESH RIFTER.
D-3	8\"/>	2030 CO3-4006B-P4-10	ZN-4105-P	---	TRAP PRIMER SEE TRAP PRIMER SCHEMATIC DETAIL.

SYMBOL	DESCRIPTION	SYMBOL	DESCRIPTION
---	EXISTING SANITARY PIPING	---	EXISTING CONDENSATE DRAIN
---	EXISTING TO BE REMOVED	---	WALL CLEAN-OUT
---	EXISTING VENT PIPING	---	ABOVE CEILING
---	EXISTING HOT WATER PIPING	---	BACKFLOW PREVENTER
---	EXISTING HOT WATER RETURN PIPING	---	CONDENSATE DRAIN
---	COLD WATER	---	COLD WATER
---	SOL/WASTE/SEWAGE WASTE PIPING	---	COMBINATION WASTE VENT
---	NEW FLOOR DRAIN	---	NEW FLOOR DRAIN
---	EXISTING CHILLED WATER	---	FILTERED CHILLED WATER
---	CIRCUL VENT SYSTEM	---	EXISTING FLOOR SINK
---	NEW FLOOR SINK	---	GENERAL CONTRACTOR
---	GREASE WASTE	---	GREASE WASTE
---	COLD WATER PIPING	---	HOSE BIBB
---	HOT WATER PIPING	---	EXISTING HND DRAIN
---	POINT OF CONNECTION, NEW TO EXISTING	---	HOT WATER RETURN
---	CLEANOUT-EXISTING	---	TRAP PRIMER
---	CLEANOUT-NEW	---	VENT
---	FLOOR SINK	---	WASTE LINE
---	WATER HAMMER ARRESTOR	---	WALL CLEAN-OUT
---	BALL VALVE	---	ABOVE FINISHED FLOOR
---	UNION	---	ABOVE FINISHED GRADE
---	PIPE CAP	---	BELOW FINISHED GRADE
---	FLOW ARROW	---	PLUMBING CONTRACTOR
---	FILTER SYSTEM	---	ELECTRICAL CONTRACTOR
---	LINE CHECK	---	EXISTING REMOVED IN PLACE
---	BALANCING VALVE	---	
---	WYE STRAINER	---	

NOTE: THIS DOCUMENT MAY HAVE BEEN ELECTRONICALLY TRANSMITTED. IF UNLESS NOTICED, IT CANNOT BE FILED FOR PUBLIC RECORD. PUBLIC RECORD FILINGS REQUIRE SIGNED AND SEALED DOCUMENTS.

LITTLE
CREATED BY ARCHITECTURAL CONSULTING

855 S.W. 3rd Ave., 5th Fl., Ft. Lauderdale, FL 33304
754.553.6300 F: 754.551.9700

www.littleonline.com

The drawings on this plan shall be the property of Little Architectural Consulting. The reproduction, copying, or use of this drawing without the written consent of Little Architectural Consulting is prohibited and may constitute an infringement of copyright law.

© Little 2019

Publix

Publix Super Markets
1000 W. Broadway, Ft. Lauderdale, FL 33304
Publix Super Markets, Inc. is an Equal Opportunity Employer.

BRANDT ENGINEERING, INC.
MECHANICAL VA 2010

PHONE: (904)974-8888
FAX: (904)974-8888
EMAIL: code@brandt.com
FL LICENSE NO. C-1504

10/8/19

100% FOR CONSTRUCTION

DATE: 10/08/2019

ARCHITECT OF RECORD:
NORTH CAROLINA REGISTRATION # 33173
NORTH CAROLINA REGISTRATION # 33173
NORTH CAROLINA REGISTRATION # 33173
NORTH CAROLINA REGISTRATION # 33173
NORTH CAROLINA REGISTRATION # 33173
NORTH CAROLINA REGISTRATION # 33173
NORTH CAROLINA REGISTRATION # 33173
NORTH CAROLINA REGISTRATION # 33173

PUBLIC 1484 Remodel
MCKEE FARMS
3110 Fincher Farm Rd.
Matthews, NC 28105
C.C.
122.11235.00

PLUMBING LEGEND, DETAILS, GENERAL NOTES AND SCHEDULES

P4.1