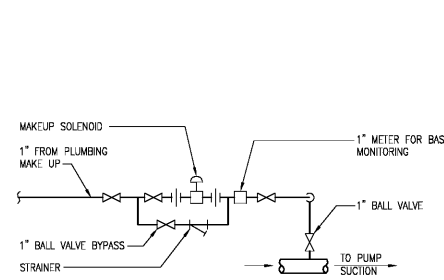
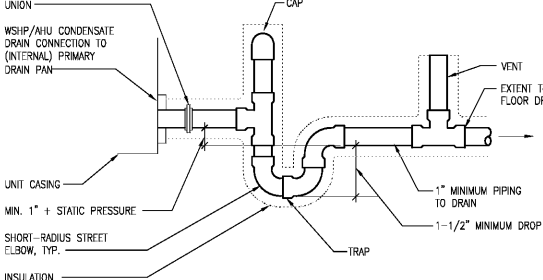


1 POT FEEDER DIAGRAM
M4.1 SCALE: NO SCALE



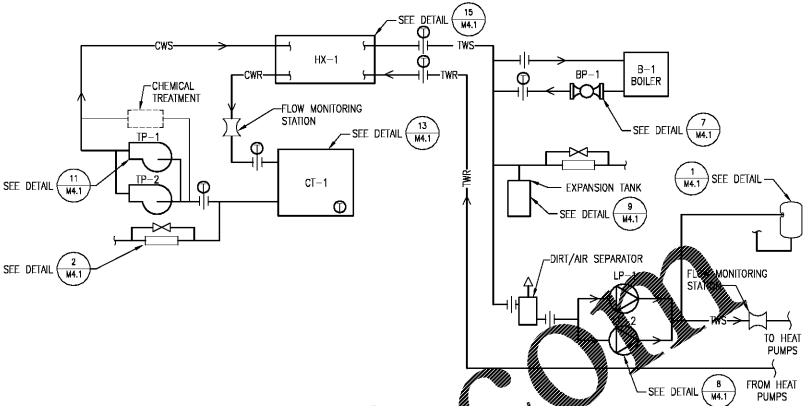
2 COOLING TOWER WATER MAKEUP
M4.1 SCALE: NO SCALE

NOTE:
(1) INSTALL WATER METER HORIZONTALLY AT MAXIMUM ELEVATION OF 4" ABOVE FINISHED FLOOR HEIGHT.

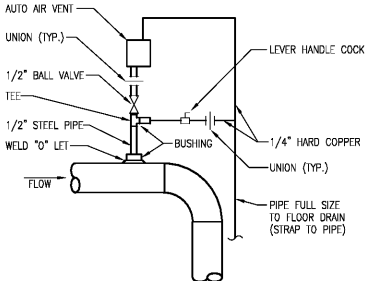


3 CONDENSATE TRAP DETAIL
M4.1 SCALE: NOT TO SCALE

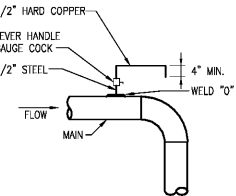
DRAIN LINE SHALL BE INSTALLED WITH A MINIMUM SLOPE OF 1/8" PER LINEAR FOOT.



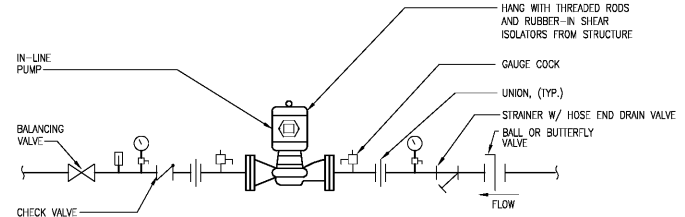
4 WATER SOURCE HEAT PUMP SYSTEM SCHEMATIC DIAGRAM
M4.1 SCALE: NO SCALE



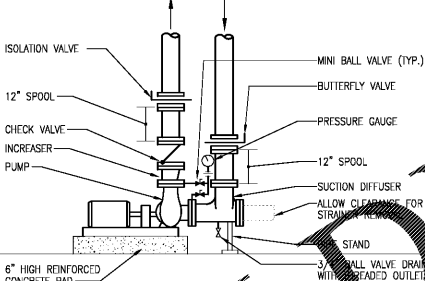
5 AUTOMATIC AIR VENT INSTALLATION
M4.1 SCALE: NO SCALE



6 MANUAL AIR VENT INSTALLATION
M4.1 SCALE: NO SCALE

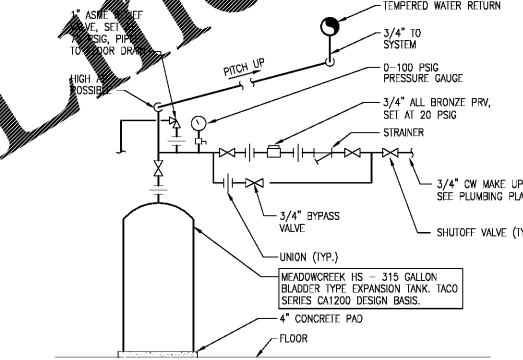


7 IN-LINE PUMP DETAIL
M4.1 SCALE: NO SCALE

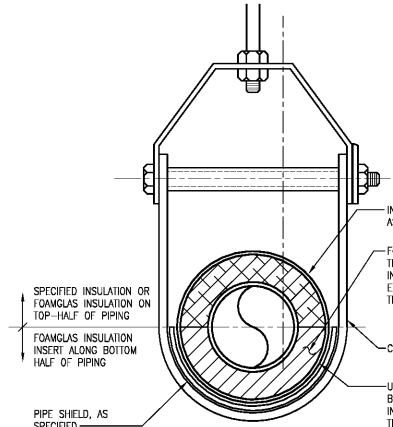


8 TEMPERED WATER PUMP WITH SUCTION DIFFUSER DETAIL
M4.1 SCALE: NO SCALE

NOTE: CONTRACTOR TO REMOVE CONSTRUCTION STRAINER BEFORE INSTALLING OVER BUILDING TO INNER AND ATTACH STRAINER TO PUMP FOR ENGINEER'S VERIFICATION.
(2) CHECK PUMP AND MOTOR.

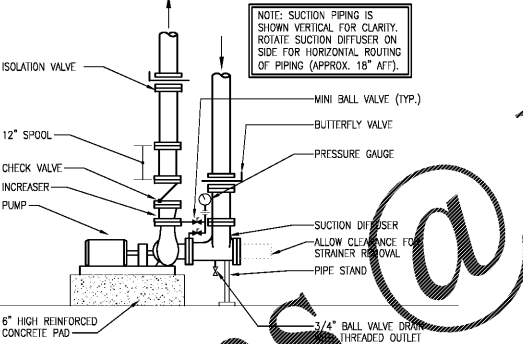


9 TEMPERED WATER MAKE-UP/ EXPANSION TANK PIPING DETAIL
M4.1 SCALE: NO SCALE



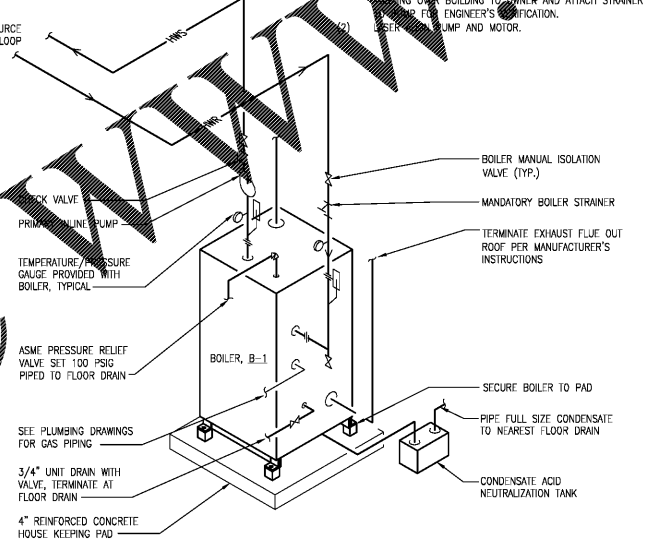
10 WATER PIPING SUPPORT DETAIL: FOAMGLAS INSERT
M4.1 SCALE: NOT TO SCALE

FOR ALL WATER PIPING 2" AND LARGER, NOT APPLICABLE FOR STEAM OR STEAM CONDENSATE PIPING.

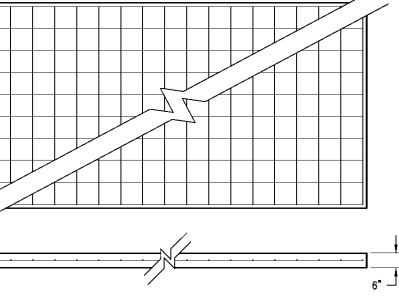


11 COOLING TOWER WATER PUMP DETAIL
M4.1 SCALE: NO SCALE

NOTE: CONTRACTOR TO REMOVE CONSTRUCTION STRAINER BEFORE TURNING OVER BUILDING TO OWNER AND CHECK STRAINER TO PUMP FOR ENGINEER'S VERIFICATION. LASER ALIGNED PUMP AND MOTOR.

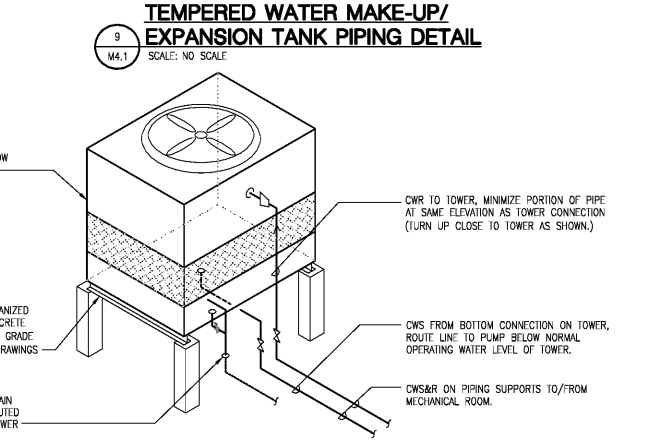


12 BOILER PIPING DIAGRAM
M4.1 SCALE: NO SCALE



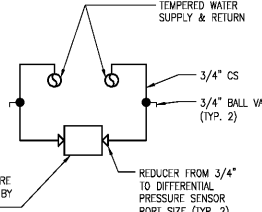
NOTES:
1. 3,000 PSI CONCRETE PAD WITH 6x6 WELDED WIRE MESH REINFORCEMENT.
2. PAD SHALL BE AT LEAST 6" WIDER THAN EQUIPMENT DIMENSION OF ALL SIDES.

16 EQUIPMENT PAD DETAIL
M4.1 SCALE: NO SCALE



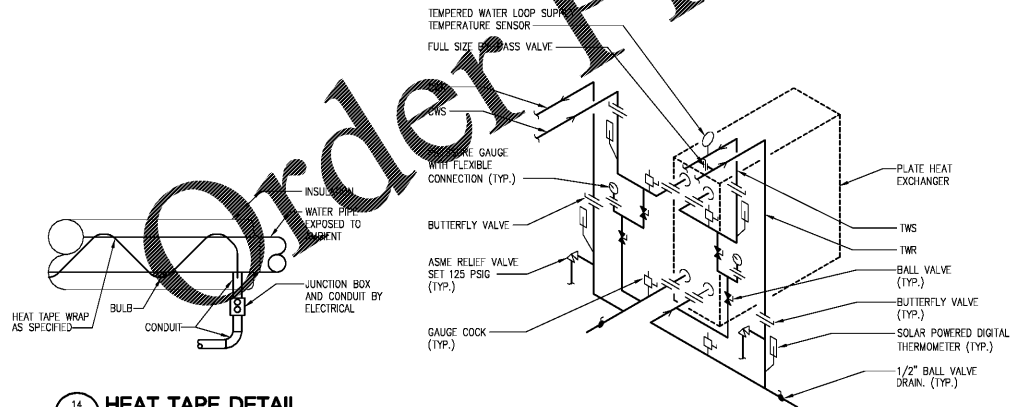
13 COOLING TOWER PIPING
M4.1 SCALE: NO SCALE

NOTE: HEAT TAPE AND INSULATE ALL EXPOSED WATER, DRAIN AND OVERFLOW PIPING. ADDITIONALLY HEAT TAPE THE ELECTRONIC LEVEL SUMP.



17 DIFFERENTIAL PRESSURE SENSOR DETAIL
M4.1 SCALE: NO SCALE

NOTE: LOCATED DP SENSOR WITHIN 18" OF TOP OF CEILING



14 HEAT TAPE DETAIL
M4.1 SCALE: NO SCALE

15 PLATE-AND-FRAME HEAT EXCHANGER DIAGRAM
M4.1 SCALE: NO SCALE

NOTE 1: CONFIRM INLET & OUTLET LOCATIONS BEFORE MAKING PIPING CONNECTIONS.
NOTE 2: ALL CWS&R PIPING SHALL NOT BE INSTALLED OVER 9' AFF.
NOTE 3: PROVIDE STRAINERS ON INLET OF HEAT EXCHANGER (TWS & CWS)