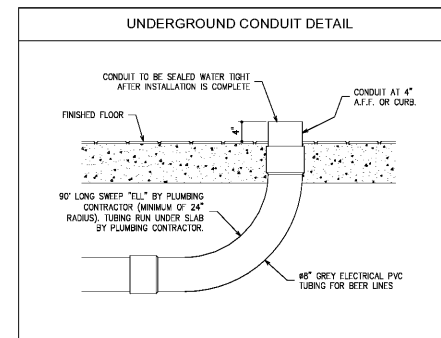
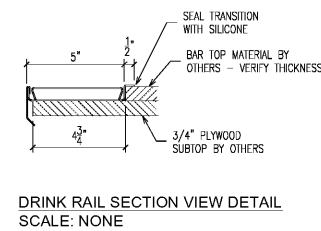
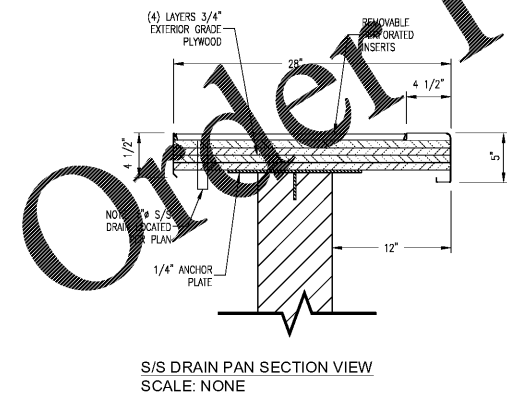


FIRST FLOOR EQUIPMENT PLAN

SECOND FLOOR EQUIPMENT PLAN



- WALL BLOCKING NOTES**
- (A) 5/8" PLYWOOD BLOCKING IN WALL FROM 30" A.F.F. TO CEILING
  - (B) 5/8" PLYWOOD BLOCKING IN WALL FROM 48" A.F.F. TO CEILING
  - (C) 5/8" PLYWOOD BLOCKING IN WALL FROM 66" A.F.F. TO CEILING
  - (D) 5/8" PLYWOOD BLOCKING IN WALL FROM ABOVE DOOR TO CEILING
  - (E) NON-COMBUSTIBLE BLOCKING IN WALL (E.G. 16 GA. GALVANIZED STEEL) FROM 48" A.F.F. TO 80" A.F.F. UNDER EXHAUST HOODS
- NOTES:**
- NON-COMBUSTIBLE, FIRE RATED WALL BLOCKING TO BE USED UNDER EXHAUST HOODS.
  - ALL BLOCKING PROVIDED AND INSTALLED BY GENERAL CONTRACTOR.

TEXAS METAL  
EQUIPMENT  
COMPANY



STAINLESS STEEL FABRICATORS  
FOODSERVICE EQUIPMENT  
AND DESIGN

DALLAS DIVISION  
8704 Royal Lane  
Irving, Texas 75063  
(214) 446-7200  
Fax - (214) 446-7209

REVISIONS

DATE	REVISION

PROJECT:  
**WHISKEY CAKE**  
PERIMETER CENTER, GA

PROJECT:

DATE: 06-10-19  
SCALE: 1/4" = 1'-0"  
DRAWN BY: J.DOBBS

SHEET TITLE:  
FOODSERVICE EQUIPMENT  
SPECIAL CONDITIONS  
PLAN

SHEET NUMBER:  
**FS5.0**