



STAINLESS STEEL FABRICATORS FOODSERVICE EQUIPMENT AND DESIGN

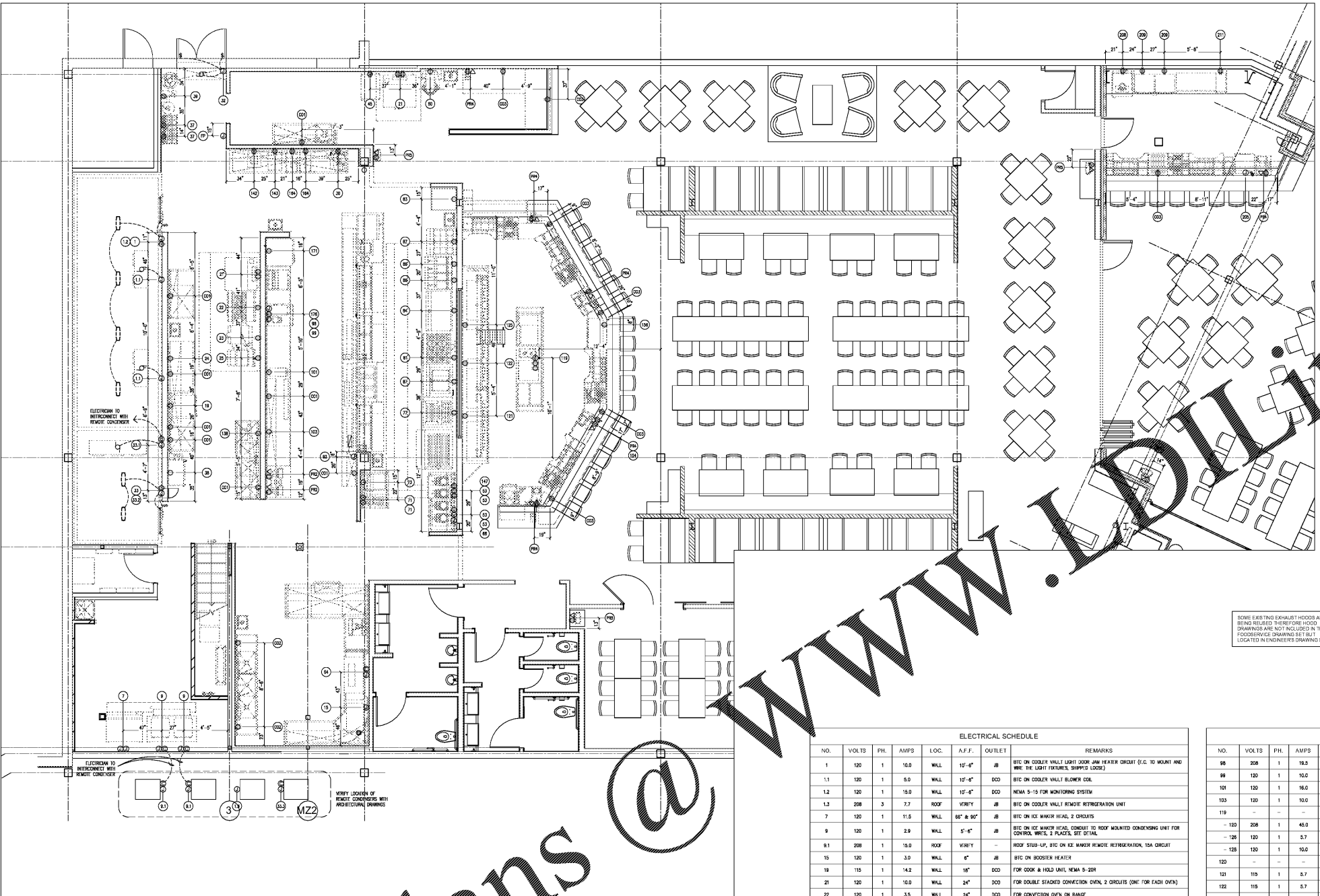
DALLAS DIVISION 8704 Royal Lane Irving, Texas 75063 (214) 446-7200 Fax - (214) 446-7209

REVISIONS

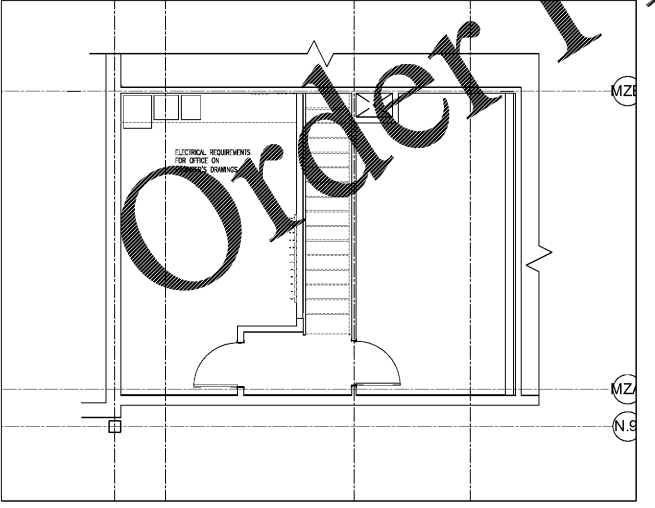
Table with columns for DATE and REVISION.

ELECTRICAL NOTES A-H and REMOTE PULL BOX DETAIL diagram.

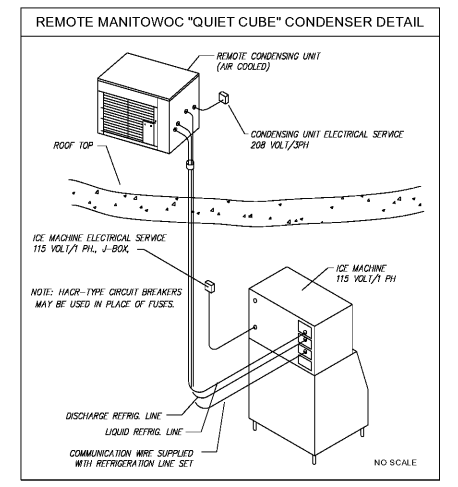
ELECTRICAL SYMBOLS table listing symbols and abbreviations for various electrical components.



FIRST FLOOR EQUIPMENT PLAN



SECOND FLOOR EQUIPMENT PLAN



ELECTRICAL SCHEDULE table listing electrical equipment with columns for NO., VOLTS, PH., AMPS, LOC., A.F.F., and OUTLET.

ELECTRICAL SCHEDULE table listing electrical equipment with columns for NO., VOLTS, PH., AMPS, LOC., A.F.F., and OUTLET.

www.pdfline.com watermark text

Order Plans @ watermark text

WHISKEY CAKE PERIMETER CENTER, GA

DATE: 06-10-19 SCALE: 1/4" = 1'-0" DRAWN BY: J.DOBBS

SHEET TITLE: FOODSERVICE EQUIPMENT ELECTRICAL PLAN

SHEET NUMBER: FS4.0