

FIRST FLOOR EQUIPMENT PLAN

SECOND FLOOR EQUIPMENT PLAN

TEXAS METAL
EQUIPMENT
COMPANY



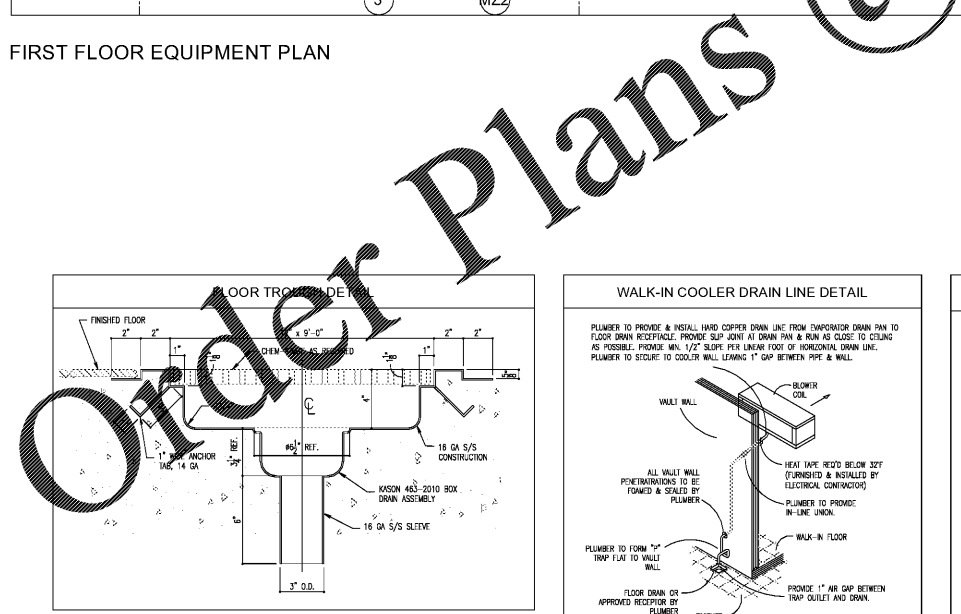
STAINLESS STEEL FABRICATORS
FOODSERVICE EQUIPMENT
AND DESIGN

DALLAS DIVISION
8704 Royal Lane
Irving, Texas 75063
(214) 446-7200
Fax - (214) 446-7209

REVISIONS

DATE	REVISION

WHISKEY CAKE
PERIMETER CENTER, GA



PLUMBING LEGEND

- SYMBOLS & ABBREVIATIONS
- HUB DRAIN
 - FLOOR DRAIN
 - ⊠ FLOOR SINK
 - ↑ HOT AND COLD WATER
 - ↓ HOT OR COLD WATER
 - DRAIN
 - ⊙ GAS
 - DR DRAIN
 - CW COLD WATER
 - HW HOT WATER
 - HD HUB DRAIN SET 8" A.F.F.
 - EL ELEVATION A.F.F.
 - ATF ABOVE FINISHED FLOOR
 - BTF BELOW FINISHED FLOOR
 - SU STUB UP A.F.F.
 - GPH GALLONS PER HOUR
 - GPM GALLONS PER MINUTE
 - PSI POUNDS PER SQUARE INCH
 - DFA DOWN FROM ANCHOR
 - BTC BRANCH TO CONNECTION
 - ↻ RETURN AIR DUCT CONNECTION
 - ⊠ EXHAUST DUCT CONNECTION
 - SP STATIC PRESSURE
 - WC INCHES OF WATER GAUGE
 - CFM CUBIC FEET PER MINUTE
 - FPM FEET PER MINUTE (VELOCITY)

PLUMBING NOTES

ALL PLUMBING OUTLETS AND REQUIREMENTS SHOWN ON THIS PLAN ARE FOR FIXTURES AND EQUIPMENT SPECIFIED AS FURNISHED BY MIDDEN EQUIPMENT SUPPLIER. FOR ANY ADDITIONAL BUILDING PLUMBING REQUIREMENTS, SEE OWNER MECHANICAL PLAN.

ALL UNDERSINK DRAINS ARE FROM COLUMN CONTAINERS AND/OR FINISHED WALLS AND ARE IN HOLES TO 4" A.F.F. ELEVATIONS GIVEN ARE FROM FINISHED FLOOR. ALL ROUGH-INS SHOWN ARE TO BE RUN INSIDE WALLS, EXCEPT STUB-UPS. LOCATIONS INDICATE POINT OF DET FROM WALLS. CLEANING OF FLOORS, ALL FLOOR DRAINS TO SET 1/2" BELOW FINISHED FLOOR UNLESS OTHERWISE NOTED. DO NOT SLOPE FLOORS SO CLOSE TO DRAINS AS TO CREATE "TROT" OR "TRIP" IN FLOOR. MINIMUM FINISH OF SLOPE TO BE 2% FROM CONTINUUM OF DRAIN.

PLUMBER TO CONNECT ALL WATER LINES, GAS LINES, WASTE LINES, ETC. TO FULLY CONNECT ALL EQUIPMENT AND RUN CONDENSATE LINES FROM UNITS TO DRAINS AND TRAP LINES TO BE NO SMALLER THAN THE STUB OUT OF THE FIXTURE. PLUMBER TO PROVIDE DRAIN-OFF VALVES ON ALL WATER AND GAS LINES. ALL VALVES, OUTLETS, BACKFLOW PREVENTION DEVICES, TRAPS, HYDROSTATIC SHOCK ELIMINATORS, PRESSURE REGULATORS AND MATERIALS NECESSARY TO CONNECT ALL LINES, UNLESS OTHERWISE SPECIFIED IN THE ITEM SPECIFICATIONS. FACILITY DRAIN SCHEDULE LISTED IN FIXTURES AND SOME SPECIALTY ITEMS ARE TO BE FURNISHED BY THE KITCHEN EQUIPMENT SUPPLIER AS OUTLINED ON THE ITEM SPECIFICATIONS. ALL WORK TO BE PERFORMED IN FULL ACCORDANCE WITH ALL APPLICABLE CODES RELATIVE TO INSTALLATION AND TROOP-UP OF EQUIPMENT. OMISSIONS OR ERRORS ON SCHEDULE DO NOT RELIEVE PLUMBING CONTRACTOR FROM COMPLETE FINAL CONNECTION RESPONSIBILITY.

FOOD SERVICE DRAIN SCHEDULE

- FS FLOOR SINK WITH HALF GRATE SET FLUSH WITH FLOOR - PLUMBER TO RUN INDIRECT WASTES FROM EQUIPMENT TO DRAIN IN FLOOR AS REQ'D.
- HD HUB DRAIN - 4" DRAIN IN FLOOR SET AT 4" A.F.F.
- HS HAND SINK DRAIN - 2" DRAIN IN WALL SET 20" A.F.F., PLUMBER TO CONNECT TO SINK DRAIN DOWN FROM ANCHOR.
- FD FLOOR DRAIN SET 1/2" BELOW FINISHED FLOOR, FLOOR TO SLOPE TOWARD DRAIN WITH A GRADUAL SLOPE. FOR GENERAL CLEAN UP USE.
- FT FLOOR TROUGH DRAIN - BY PLUMBER (VERIFY REQUIREMENTS)
- MS MOP SINK DRAIN - PLUMBING CONTRACTOR TO LOCATE AND PROVIDE REQUIREMENTS

PROJECT:

DATE: 06-10-19

SCALE: 1/4" = 1'-0"

DRAWN BY: J.DOBBS

SHEET TITLE:
FOODSERVICE EQUIPMENT
DRAIN PLAN

SHEET NUMBER:
FS2.0