

DESCRIPTION	MARK	QTY.	SIZE W X H	TYPE	FRAME MATERIAL	GLAZING	HEAD & JAMB	SILL DETAIL	REMARKS
EXTERIOR WINDOWS	(A)	16	4'-0" X 4'-0"	FIXED	CLEAR ANODIZED ALUMINUM	1" CLEAR SEALED INSULATED GLASS U-FACTOR 35 OR BETTER			
INTERIOR OFFICE WINDOWS	(B)	5	4'-0" X 4'-0"	FIXED	CLEAR ANODIZED ALUMINUM	1/4" CLEAR GLASS			
INTERIOR G.M. OFFICE WINDOWS	(C)	1	5'-0" X 4'-0"	FIXED	CLEAR ANODIZED ALUMINUM	1/4" CLEAR GLASS			

WINDOW NOTES:

- ALL WINDOWS SHALL BE MEASURED AND CUT TO FIT EACH INDIVIDUAL OPENING.
- ALL EXTERIOR WINDOWS SHALL HAVE ANODIZED ALUMINUM DRIP PAN AT SILL.
- WINDOW BLINDS SHALL BE PROVIDED FOR ALL INTERIOR & EXTERIOR WINDOWS AND SHALL BE 1" HORIZONTAL ALUMINUM BLINDS, COLOR TO BE LIGHT GRAY TO MATCH SKYLINE STEEL PAINT COLOR (SUBMIT SAMPLES FOR OWNER'S APPROVAL PRIOR TO ORDERING).

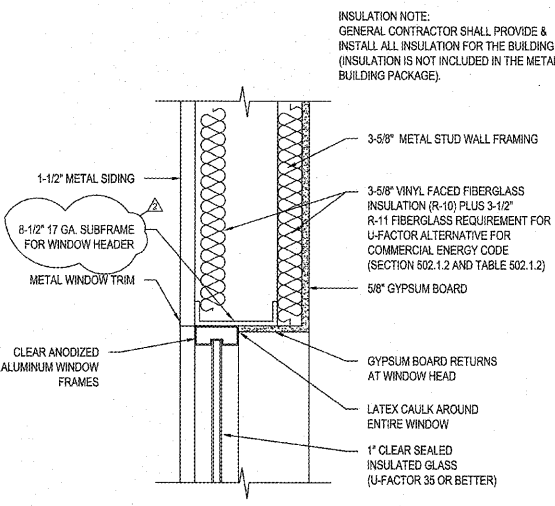
HARDWARE SETS:

- | | | |
|---|---|---|
| 1. 2 CLOSER / STOP NORTON 1605 BC
2 PUSH / PULL HANDLE SETS (PANIC EXIT HARDWARE)
1 SET FLUSH BOLTS / 1 CYLINDER LOCK & EXTERIOR GUARD
1 ALUM. THRESHOLD WITH BLADE WEATHERSTRIPPING
1 SET WEATHER GASKETS AT HEAD & JAMB | 2. 1 CLOSER / STOP NORTON 1605 BC
1 PUSH / PULL HANDLE SETS (PANIC EXIT HARDWARE)
1 SET FLUSH BOLTS / 1 CYLINDER LOCK & EXTERIOR GUARD
1 ALUM. THRESHOLD WITH BLADE WEATHERSTRIPPING
1 SET WEATHER GASKETS AT HEAD & JAMB | 3a. 1 1/2 PAIR BUTT HINGES
1 CLOSER / STOP NORTON 1605 BC
1 LOCKSET WITH PANIC EXIT HARDWARE (NO PANIC REQUIRED)
1 ALUM. THRESHOLD WITH BLADE WEATHERSTRIPPING
1 SET WEATHER GASKETS AT HEAD & JAMB |
| 3b. 1 1/2 PAIR BUTT HINGES
1 CLOSER / STOP NORTON 1605 BC
1 PANIC HARDWARE
1 ALUM. THRESHOLD WITH BLADE WEATHERSTRIPPING
1 SET WEATHER GASKETS AT HEAD & JAMB | 4a. 1 1/2 PAIR BUTT HINGES
1 CLOSER / STOP NORTON 1605 BC
1 LOCKSET WITH PANIC EXIT HARDWARE ON PUSH SIDE
1 WALL STOP AT KNOB LEVEL (WHERE APPLICABLE)
1 DOOR KICK-DOWN HOLD OPEN DEVICE | 4b. 1 1/2 PAIR BUTT HINGES
1 CLOSER / STOP NORTON 1605 BC
1 LOCKSET WITH PANIC EXIT HARDWARE ON PUSH SIDE
1 WALL STOP AT KNOB LEVEL (WHERE APPLICABLE)
1 DOOR KICK-DOWN HOLD OPEN DEVICE |
| 5. 1 1/2 PAIR BUTT HINGES
1 CLOSER / STOP NORTON 1605 BC
1 ENTRANCE LOCKSET
1 SPECIAL THUMBTURN LOCKSET - VERIFY WITH OWNER
1 WALL STOP AT KNOB LEVEL (WHERE APPLICABLE) | 6. 1 1/2 PAIR BUTT HINGES
1 CLOSER / STOP NORTON 1605 BC
1 PANIC HARDWARE
1 WALL STOP AT KNOB LEVEL (WHERE APPLICABLE)
1 DOOR KICK-DOWN HOLD OPEN DEVICE (DOOR 104 ONLY) | 7. 1 1/2 PAIR BUTT HINGES
1 CLOSER / STOP NORTON 1605 BC
PUSH / PULL HARDWARE
1 WALL STOP AT KNOB LEVEL (WHERE APPLICABLE) |

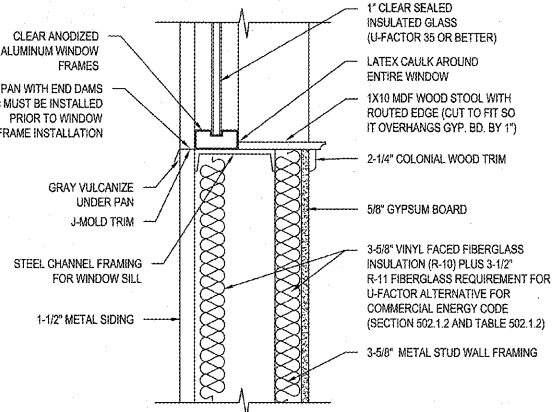
NO.	SIZE		THICK	DOOR		FRAME		LABEL	HDWRE.	DETAILS	REMARKS	VESTIBULE
	WIDTH	HEIGHT		MATERIAL	FINISH	MATERIAL	FINISH					
101a	(2) 3'-0"	7'-0"	1-3/4"	AL / GL	ANOD.	A	AL	ANOD	1	-	-	VESTIBULE
101b	(2) 3'-0"	7'-0"	1-3/4"	AL / GL	ANOD.	A	AL	ANOD	1	-	-	VESTIBULE
102	3'-0"	7'-0"	1-3/4"	AL / GL	ANOD.	A	AL	ANOD	1	-	-	LOBBY
103	3'-0"	7'-0"	1-3/4"	WD	SV	C	STL	P	2	-	-	RESTROOM
104	3'-0"	7'-0"	1-3/4"	WD	SV	C	STL	P	2	-	-	JANITOR
105	3'-0"	7'-0"	1-3/4"	HM	P	B	STL	P	2	-	-	DISPATCH LOBBY
106	3'-0"	7'-0"	1-3/4"	HM	P	B	STL	P	2	-	-	DISPATCH
107	3'-0"	7'-0"	1-3/4"	WD	SV	C	STL	P	2	-	-	ELEC. / TELE
108a	3'-0"	7'-0"	1-3/4"	WD	SV	C	STL	P	2	-	-	GENERAL MGR.
108b	3'-0"	7'-0"	1-3/4"	HM	P	B	STL	P	2	-	-	GENERAL MGR.
108c	3'-0"	7'-0"	1-3/4"	WD	SV	C	STL	P	2	-	-	BREAK ROOM
109a	3'-0"	7'-0"	1-3/4"	HM	P	B	STL	P	2	-	-	BREAK ROOM
109b	3'-0"	7'-0"	1-3/4"	HM	P	B	STL	P	2	-	-	BREAK ROOM
110	NOT USED											NOT USED
111	3'-0"	7'-0"	1-3/4"	WD	SV	C	STL	P	2	-	-	OFFICE
112	3'-0"	7'-0"	1-3/4"	WD	SV	C	STL	P	2	-	-	OFFICE
113	3'-0"	7'-0"	1-3/4"	WD	SV	C	STL	P	2	-	-	OFFICE
114	3'-0"	7'-0"	1-3/4"	WD	SV	C	STL	P	2	-	-	OFFICE
115a	3'-0"	7'-0"	1-3/4"	AL / GL	ANOD.	A	AL	ANOD	1	-	-	CORRIDOR
115b	3'-0"	7'-0"	1-3/4"	WD	SV	C	STL	P	2	-	-	CORRIDOR
115c	3'-0"	7'-0"	1-3/4"	HM	P	B	STL	P	2	-	-	CORRIDOR
115d	3'-0"	7'-0"	1-3/4"	WD	SV	C	STL	P	2	-	-	CORRIDOR
116	3'-0"	7'-0"	1-3/4"	WD	SV	C	STL	P	2	-	-	OFFICE
117	3'-0"	7'-0"	1-3/4"	WD	SV	C	STL	P	2	-	-	OFFICE
118	3'-0"	7'-0"	1-3/4"	WD	SV	C	STL	P	2	-	-	RESTROOM 2
119	3'-0"	7'-0"	1-3/4"	WD	SV	C	STL	P	2	-	-	MENS
120	3'-0"	7'-0"	1-3/4"	WD	SV	C	STL	P	2	-	-	WOMENS
121a	3'-0"	7'-0"	1-3/4"	WD	SV	C	STL	P	2	-	-	CORRIDOR
121b	3'-0"	7'-0"	1-3/4"	WD	SV	C	STL	P	2	-	-	CORRIDOR
122	3'-0"	7'-0"	1-3/4"	WD	SV	C	STL	P	2	-	-	CONFERENCE RM. 2
123a	3'-0"	7'-0"	1-3/4"	WD	SV	C	STL	P	2	-	-	CONFERENCE RM. 1
123b	3'-0"	7'-0"	1-3/4"	WD	SV	C	STL	P	2	-	-	CONFERENCE RM. 1
124	3'-0"	7'-0"	1-3/4"	WD	SV	C	STL	P	2	-	-	OFFICE
125	3'-0"	7'-0"	1-3/4"	WD	SV	C	STL	P	2	-	-	OFFICE
126	NOT USED											OPEN OFFICE
127	NOT USED											OPEN OFFICE
128	NOT USED											OPEN OFFICE
129	NOT USED											OPEN OFFICE
130a	3'-0"	7'-0"	1-3/4"	HM	P	D	E		2	-	-	WAREHOUSE
130b	12'-0"	14'-0"		STL	E	E	E			-	-	WAREHOUSE
130c	12'-0"	14'-0"		STL	E	E	E			-	-	WAREHOUSE

DOOR & HARDWARE NOTES:

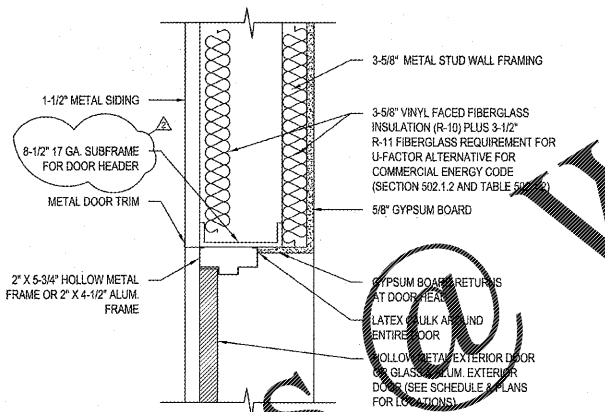
- GLASS & ALUMINUM DOORS SHALL BE AS MANUFACTURED BY KAWNEER OR EQUAL, WITH CLEAR TEMPERED GLASS (U FACTOR OF 35 OR BETTER) & 2" ANODIZED ALUMINUM FRAMES. PUSH/PULL HANDLES SHALL BE STANDARD BY MANUFACTURER.
- DOOR METAL FLOORS SHALL BE 18 GA. FRAMED STEEL.
- INTERIOR CORE DOORS SHALL BE PAINT GRADE BIRCH.
- HOLLOW METAL FRAMES SHALL BE 18 GA. PRIMED STEEL WITH 3 SILENCERS ON STRIKE JAMB FOR SINGLE DOORS AND 2 SILENCERS ON HEAD JAMB FOR DOUBLE DOORS.
- ALL HARDWARE SHALL BE SATIN FINISH CHROME SUITABLE FOR HANDICAPPED ACCESS AND SHALL MEET ALL APPLICABLE REQUIREMENTS OF THE ANSI A117.1 2003 EDITION.
- ALL INTERIOR DOOR FRAMES SHALL BE HOLLOW METAL, PRIMED KNOCK DOWN FRAMES.
- DOOR HANDLES SHALL BE AS MANUFACTURED BY FALCON (T-SERIES LEVER HANDLES), SCHLAGE OR APPROVED EQUAL.
- WALL STOPS SHALL BE IVES 402 CCV, 2-1/2" SATIN CHROME CONCAVE WALL STOP.
- KICK DOWN HOLD OPEN DEVICES SHALL BE IVES FS 452-4 CHROME 4.
- MAXIMUM THRESHOLD HEIGHT FOR ALL EXTERIOR DOORS IS 1/4" WITH A 1/2 BEVEL (FOR HDPC ACCESSIBILITY).



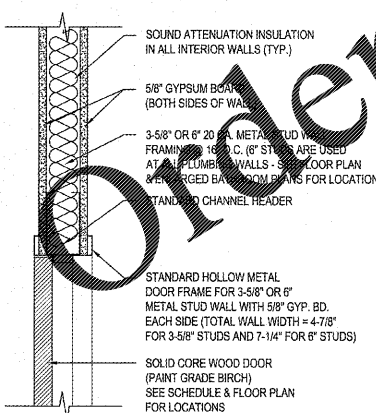
1 EXTERIOR WINDOW HEAD & JAMB DETAIL
SCALE: 1-1/2"=1'-0"



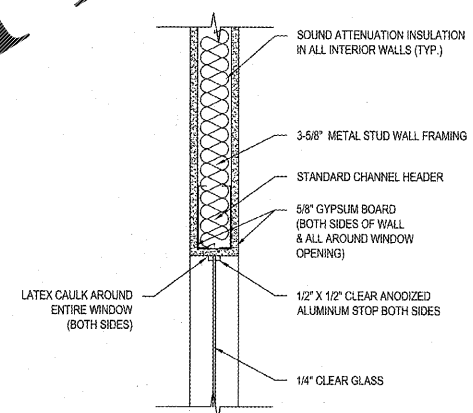
2 EXTERIOR WINDOW SEAL DETAIL
SCALE: 1-1/2"=1'-0"



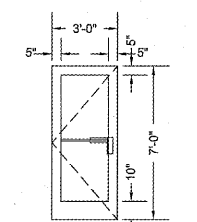
3 EXTERIOR DOOR HEAD & JAMB DETAIL
SCALE: 1-1/2"=1'-0"



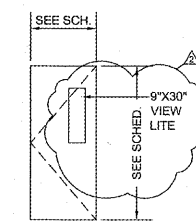
4 INTERIOR DOOR HEAD & JAMB DETAIL
SCALE: 1-1/2"=1'-0"



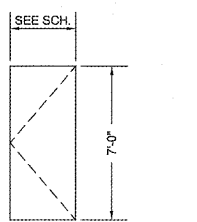
5 INTERIOR WINDOW HEAD, JAMB & SILL DETAIL
SCALE: 1-1/2"=1'-0"



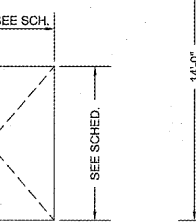
ELEVATION "A"
FLUSH H.M. DOOR
TEMPERED TINTED GLAZING



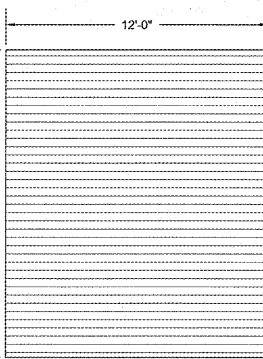
ELEVATION "B"
FLUSH H.M. DOOR
8" X 62" METAL TRIM NARROW LITE - TEMP. GLASS



ELEVATION "C"
PAINT GRADE SOLID BIRCH WOOD DOOR

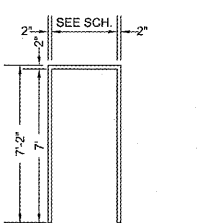


ELEVATION "D"
FLUSH H.M. DOOR

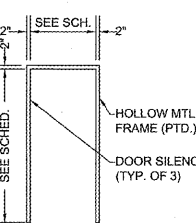


ELEVATION "E"
ROLLING INSULATED DOOR
(RAYNOR DURACOIL OR EQ.)

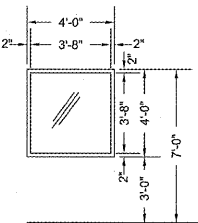
DOOR ELEVATIONS



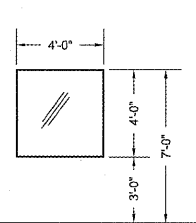
FRAME ELEVATION 1
ALUMINUM FRAME
(3) JAMB ANCHORS EA. JAMB TYP.
(3) DOOR SILENCERS
PREP FRAME FOR ALL HARDWARE



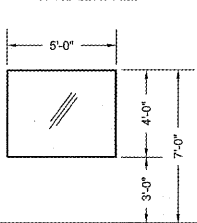
FRAME ELEVATION 2
PAINTED STEEL FRAME
(3) JAMB ANCHORS EA. JAMB TYP.
(3) DOOR SILENCERS
PREP FRAME FOR ALL HARDWARE



WINDOW TYPE "A"
CLEAR ANOD. ALUM. FRAME
1" CLEAR SEALED INSULATED GLASS (U FACTOR 35 OR BETTER)



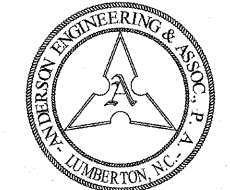
WINDOW TYPE "B"
CLEAR ANOD. ALUM. FRAME
1/4" CLEAR GLASS



WINDOW TYPE "C"
CLEAR ANOD. ALUM. FRAME
1/4" CLEAR GLASS

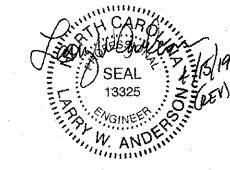
FRAME ELEVATIONS

WINDOW ELEVATIONS



305 N. Chippewa Street
Lumberton, NC 28358
Office: (910) 671-9530
Fax: (910) 618-0838
Email:
andersonengineeringpa@gmail.com
License #: C-0793

BUILDING PLANS FOR
COPART



The creation of authorship contained in this drawing including but not limited to all design, text, specifications and images, are owned, created or otherwise expressly stated, by Anderson Engineering & Associates, P.A. and are protected by copyright and other intellectual property laws. This drawing may not be copied, reproduced, transmitted, displayed, distributed, sub-licensed, altered, utilized for other projects or otherwise used in any manner without the prior written consent of Anderson Engineering & Associates, P.A. except to the extent that such use constitutes "fair use" under the Copyright Act of 1976 (17 U.S.C. §107), as amended. Project owner may keep one un-altered permanent copy to be used for intended project use only.

DOOR / WINDOW SCHEDULES

PERMIT SET

ISSUE DATE: 1-18-2019

NO.	DATE	REASON
1	2-13-2018	OWNER REVIEW
2	4-10-2019	REDUCE BUILDING SIZE SCOPE SPECIFICATIONS CONTRACT DOCS WINDOW SCH., DOOR SCH., DETAILS

NO.	DATE	REASON
1	2-13-2018	OWNER REVIEW
2	4-10-2019	REDUCE BUILDING SIZE SCOPE SPECIFICATIONS CONTRACT DOCS WINDOW SCH., DOOR SCH., DETAILS

SCALE: 1/8"=1'
DRAWN BY: DJ
CHECKED BY: LWA
PROJECT NO.: 60-1656
DRAWING FILE: 1656
FILE NO.: 1656-BLDG-REV1
SHEET NO.

B109