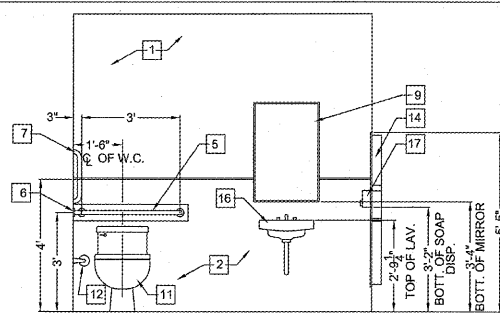
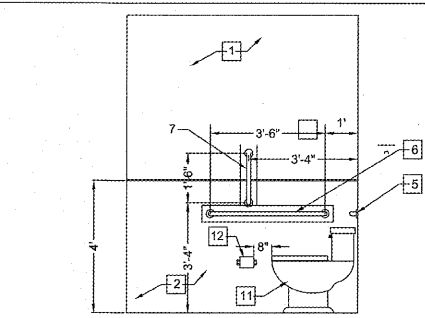


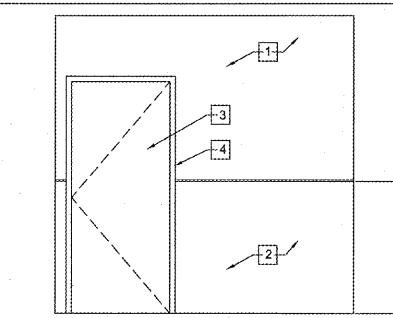
1 RESTROOM #103 ELEVATIONS
B105 SCALE: 3/8"=1'-0"



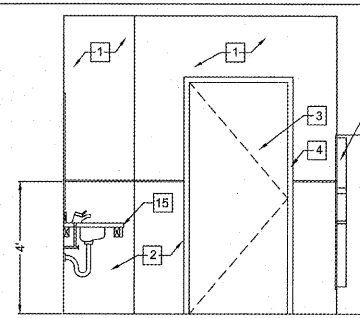
2 RESTROOM #103 ELEVATIONS
B105 SCALE: 3/8"=1'-0"



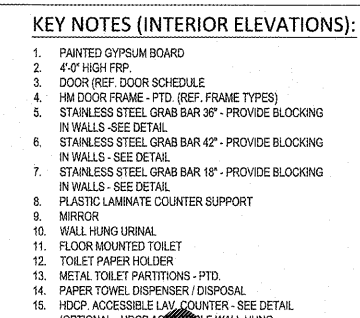
3 RESTROOM #103 ELEVATIONS
B105 SCALE: 3/8"=1'-0"



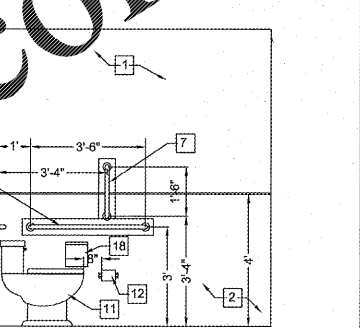
4 RESTROOM #103 ELEVATIONS
B105 SCALE: 3/8"=1'-0"



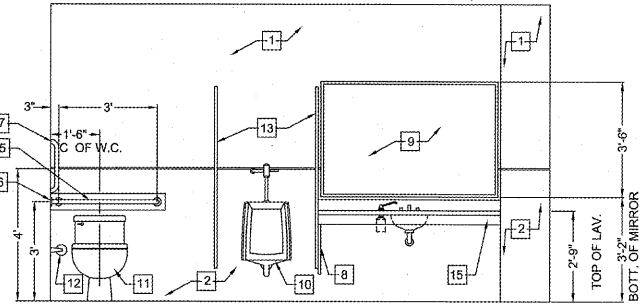
5 MENS RESTROOM #119 ELEVATIONS
B107 SCALE: 3/8"=1'-0"



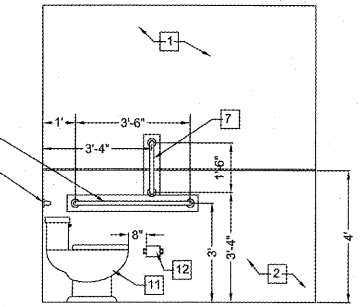
6 MENS RESTROOM #119 ELEVATIONS
B105 SCALE: 3/8"=1'-0"



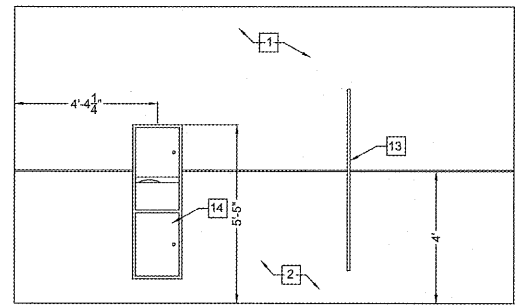
7 MENS RESTROOM #119 ELEVATIONS
B105 SCALE: 3/8"=1'-0"



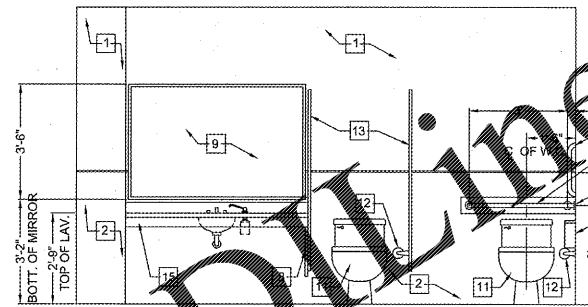
8 MENS RESTROOM #119 ELEVATIONS
B105 SCALE: 3/8"=1'-0"



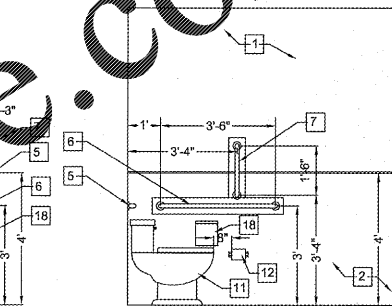
9 MENS RESTROOM #119 ELEVATIONS
B105 SCALE: 3/8"=1'-0"



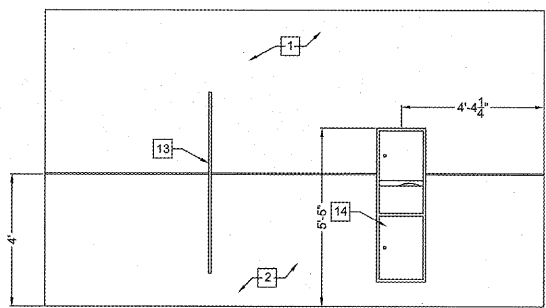
10 WOMENS RESTROOM #120 ELEVATIONS
B105 SCALE: 3/8"=1'-0"



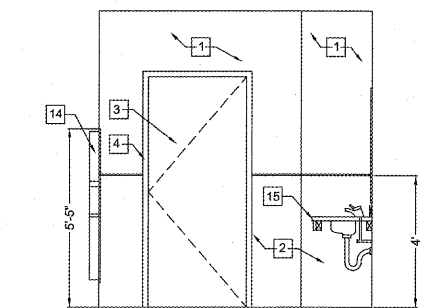
11 WOMENS RESTROOM #120 ELEVATIONS
B105 SCALE: 3/8"=1'-0"



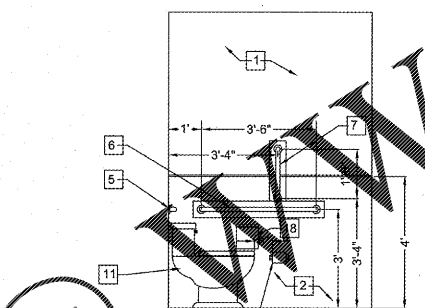
12 WOMENS RESTROOM #120 ELEVATIONS
B105 SCALE: 3/8"=1'-0"



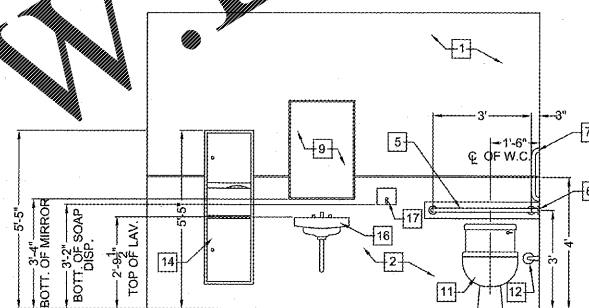
13 RESTROOM #118 ELEVATIONS
B105 SCALE: 3/8"=1'-0"



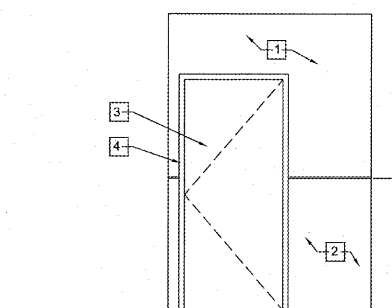
14 RESTROOM #118 ELEVATIONS
B105 SCALE: 3/8"=1'-0"



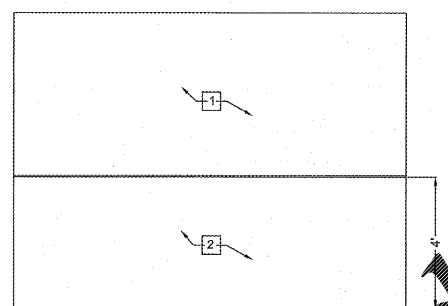
15 RESTROOM #118 ELEVATIONS
B105 SCALE: 3/8"=1'-0"



16 RESTROOM #118 ELEVATIONS
B105 SCALE: 3/8"=1'-0"



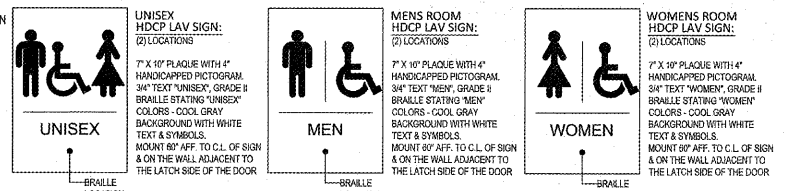
17 RESTROOM #118 ELEVATIONS
B105 SCALE: 3/8"=1'-0"



18 RESTROOM #118 ELEVATIONS
B105 SCALE: 3/8"=1'-0"

- CABINETRY & COUNTER TOP NOTES:**
- ALL CABINETRY & COUNTERTOPS FOR BATHROOMS, BREAK ROOM, LOBBY & DISPATCH AREA SHALL BE CONSTRUCTED OF 3/4" PLYWOOD. COVER ALL EXPOSED SURFACES WITH MELAMINE OR PLASTIC LAMINATE AS FOLLOWS:
 - A. CABINET INSIDE BOXES & SHELVING: 3/4" SHELVES WITH WHITE MELAMINE SURFACES.
 - B. DRAWER BOTTOMS, SIDES & BACKS: 1/4" PLYWOOD WITH WHITE MELAMINE SURFACES.
 - C. CABINET FRONT EDGES, GATE & DRAWER FACES: 3/4" PLYWOOD WITH PLASTIC LAMINATE SURFACES. (PIONITE "FRENCH BLUE" #66 005)
 - D. COUNTERTOPS: 3/4" PLYWOOD WITH PLASTIC LAMINATE SURFACES. (PIONITE "ATLANTIC AZURE" #66 065)
 - E. COUNTERTOP FRONT EDGES: 1/2" HALF ROUNDED STAINED RED OAK MOLDINGS (SEE DETAIL)
 - PROVIDE (3) ADJUSTABLE SHELVES PER OPEN SHELVING SECTION. PROVIDE HOLES AT 2" O.C. ON THE CABINET SIDES VERTICALLY WITH (12) PINS PER SECTION (4 PER SHELF).
 - DRAWERS SHALL HAVE BRUSHED CHROME WIRE PULLS. STYLE AS SELECTED BY OWNER.
 - LATERAL FILES PROVIDED BY COPART ARE 36" WIDE X 28-3/8" HIGH X 19-3/4" DEEP AND SLIDE INTO THE CABINET BOX.
 - DESKS PROVIDED BY COPART ARE 48" WIDE X 29" HIGH X 30" DEEP.
 - FURNITURE PARTITIONS PROVIDED BY COPART FOR LOBBY AREA ARE 2" THICK (VERIFY HEIGHT).
 - DOOR HINGES & HARDWARE FOR GATES SHALL BE AS PER DETAIL.
 - PROVIDE 2-1/2" ROUND COUNTERTOP GRONNETS IN OPEN SHELVING SECTIONS AS SHOWN ON THE INTERIOR ELEVATIONS.
 - PROVIDE 3" X 3" CONTINUOUS CABLE CHASE THROUGH REAR OF CABINETS (SEE CABINET SECTION).
 - SHOP DRAWINGS SHALL BE SUBMITTED BY THE CABINET MAKER FOR APPROVAL PRIOR TO ORDERING MATERIALS OR STARTING CONSTRUCTION.

- BATHROOM ACCESSORY NOTES:**
- PROVIDE HANDICAPPED SIGNAGE OUTSIDE EACH BATHROOM AS FOLLOWS: UNISEX SIGN AT RESTROOM #103 AND RESTROOM #118 (1 AT EACH LOCATION), MEN'S SIGN AT MENS #119 AND MENS #128 AND WOMEN'S SIGN AT WOMENS #120 AND WOMENS #129. SEE DRAWINGS FOR MOUNTING HEIGHTS, SIZES, ETC.
 - PROVIDE GRAB BARS IN ALL BATHROOMS AS SHOWN ON THE PLANS & ELEVATIONS. EACH HANDICAPPED BATHROOM SHALL RECEIVE (1) 36" GRAB BAR, (1) 42" GRAB BAR AND (1) 18" VERTICAL GRAB BAR.
 - TOILET PAPER DISPENSER SHALL BE SURFACE MOUNTED, MODEL #6042 AS MANUFACTURED BY BRADLEY OR APPROVED EQUAL. MOUNT AS SHOWN ON THE ELEVATIONS.
 - PAPER TOWEL / TRASH RECEPTACLE SHALL BE SURFACE MOUNTED, MODEL #25-11 AS MANUFACTURED BY BRADLEY OR APPROVED EQUAL. MOUNT AS PER HANDICAPPED MOUNTING HEIGHT REQUIREMENTS (VERIFY EXACT WALL LOCATION WITH OWNER IN FIELD).
 - TOILET PARTITIONS IN MENS #119 AND WOMENS #120 SHALL BE SIZES AS SHOWN ON THE PLANS AND SHALL BE FLOOR MOUNTED WITH TOP RAIL. STEEL FRAME WITH LIGHT GRAY BAKED ENAMEL FINISH AND CHROME COVERED FITTINGS AS MANUFACTURED BY AMPCO OR APPROVED EQUAL.
 - MIRRORS SHALL BE POLISHED MIRRORS WITH CHROME FRAMES. UNISEX BATHROOMS (R.R. #103, AND R.R. #118), MENS #128, AND RESTROOM #129 SHALL RECEIVE 24"x36" MIRROR AND MENS #119 & WOMENS #120 SHALL RECEIVE 5'-0" WIDE X 3'-0" HIGH - VERIFY EXACT WIDTH IN FIELD.
 - ALL ACCESSORIES SHALL BE 304 SATIN FINISH STAINLESS STEEL AS MANUFACTURED BY BRADLEY OR APPROVED EQUAL. HANDICAPPED ACCESSIBLE ACCESSORIES SHALL COMPLY WITH ALL APPLICABLE ANSI A117.1 2003 REQUIREMENTS (MOUNTING HEIGHTS, CLEARANCES, ETC.)
 - SEE PLUMBING PLANS FOR HANDICAPPED ACCESSIBLE DRINKING FOUNTAIN SPEC.

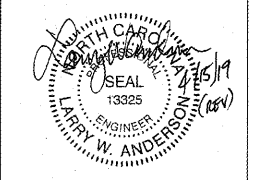


HANDICAPPED BATHROOM SIGNAGE

KEY NOTES (INTERIOR ELEVATIONS):

- PAINTED GYPSUM BOARD
- 4'-0" HIGH FRP
- DOOR (REF. DOOR SCHEDULE)
- HM DOOR FRAME - PTD. (REF. FRAME TYPES)
- STAINLESS STEEL GRAB BAR 36" - PROVIDE BLOCKING IN WALLS - SEE DETAIL
- STAINLESS STEEL GRAB BAR 42" - PROVIDE BLOCKING IN WALLS - SEE DETAIL
- STAINLESS STEEL GRAB BAR 18" - PROVIDE BLOCKING IN WALLS - SEE DETAIL
- PLASTIC LAMINATE COUNTER SUPPORT
- MIRROR
- WALL HUNG URINAL
- FLOOR MOUNTED TOILET
- TOILET PAPER HOLDER
- METAL TOILET PARTITIONS - PTD.
- PAPER TOWEL DISPENSER / DISPOSAL
- HDCP. ACCESSIBLE LAV. COUNTER - SEE DETAIL (OPTIONAL - HDCP ACCESSIBLE WALL HUNG LAVATORY)
- SOAP DISPENSER
- FEMININE HYGIENE DISPOSAL

BUILDING PLANS FOR
COPART



The creation of authorship contained in this drawing including but not limited to all design, text, specifications and images, are owned, except as otherwise expressly stated, by Anderson Engineering & Associates, P.A. and are protected by copyright and other intellectual property laws. This drawing may not be copied, reproduced, transmitted, displayed, distributed, sub-licensed, altered, utilized for other projects or otherwise used in any manner without the prior written consent of Anderson Engineering & Associates, P.A., except to the extent that such use constitutes "fair use" under the Copyright Act of 1976 (17 U.S.C. §107), as amended. Project owner may keep one up-allowed permanent copy to be used for intended project use only.

INTERIOR ELEVATIONS		
PERMIT SET		
ISSUE DATE: 1-18-2019		
NO.	DATE	REASON
Δ	2-12-2019	OWNER REVIEW REDUCE BUILDING SIZE
Δ	4-10-2019	SCOPE VERIFICATION CONTRACT DOCS NO CHANGES THIS SHEET
SCALE: 1/8"=1'		
DRAWN BY:	DJ	
CHECKED BY:	LWA	
PROJECT NO.:	60-1656	
DRAWING FILE:	1656	
FILE NO.:	1656-BLDG-REV1	
SHEET NO.:		

B105