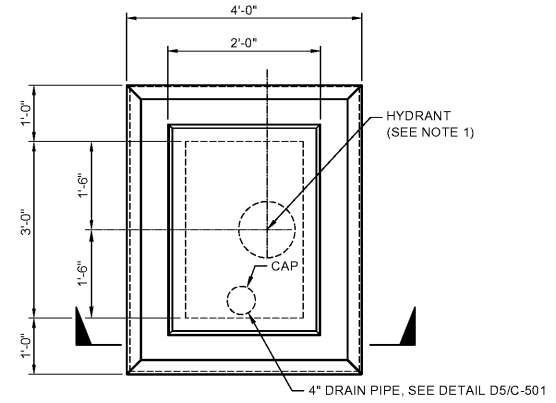
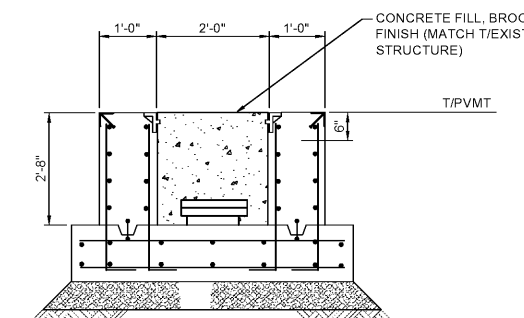


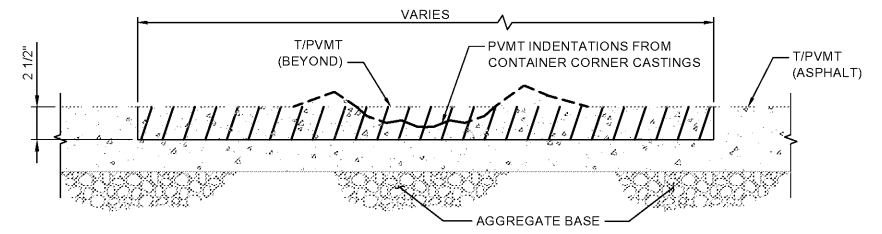
1 2 3 4 5 6



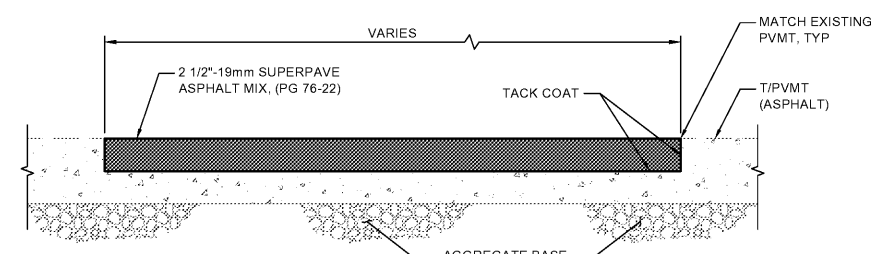
PLAN - FIRE HYDRANT PIT



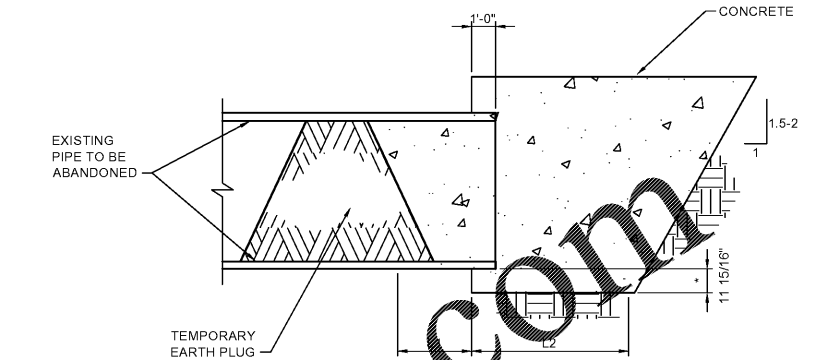
SECTION



DEMOLITION



PAVEMENT REPAIR



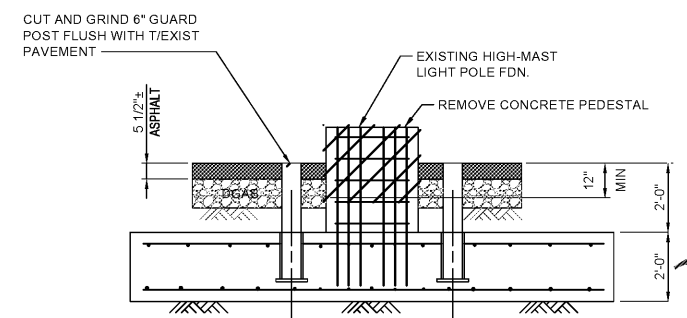
D5 DETAIL N.T.S.

D3 SECTION N.T.S.

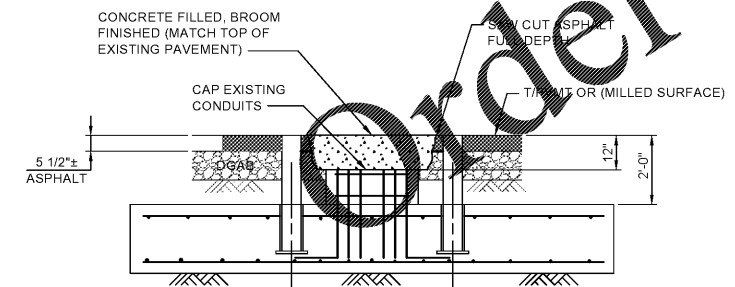
NOTES (DETAIL D1 ONLY)

1. REMOVE HYDRANT AND INSTALL PLUG (DETAIL D1/C-502).

D1 DETAIL N.T.S.



DEMOLITION



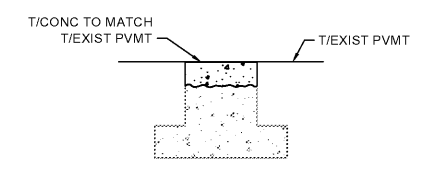
PAVEMENT PATCH

A1 DETAIL SCALE: NTS

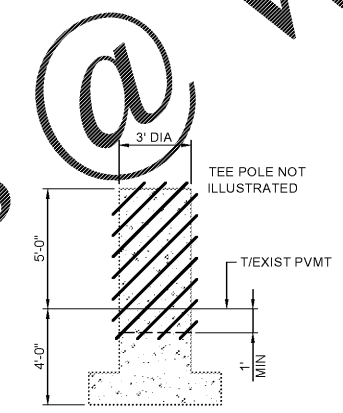
NOTES (DETAIL A3 ONLY)

1. REMOVE CONDUCTORS AND CABLING BACK TO PANELS AND/OR HANDHOLDS
2. SEE REFERENCE DRAWING A1/S-507 OF GATE 8 EXPANSION PROJECT (M&N PROJECT NO. 5531-211)

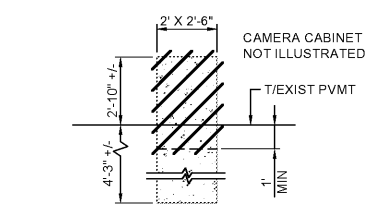
A3 DETAIL SCALE: NTS



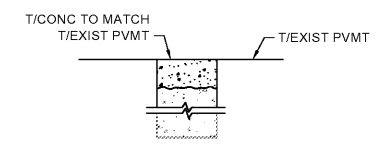
REPAIR (SECTION)



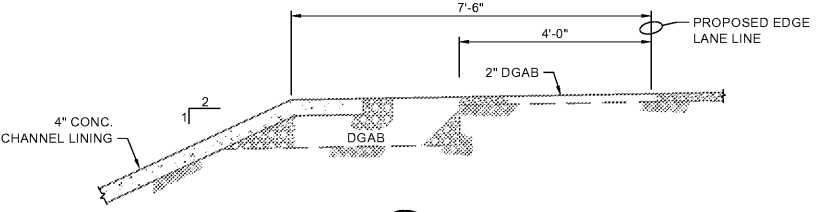
DEMOLITION (SECTION)



DEMOLITION (SECTION)



REPAIR (SECTION)



C5 SECTION SCALE: 3/4" = 1'-0"

CD103, CD104

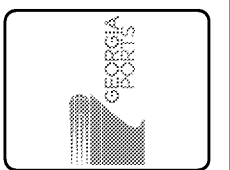
NOTES (DETAIL A4 ONLY)

1. REMOVE CONDUCTORS AND CABLING BACK TO PANELS AND/OR HANDHOLDS
2. SEE REFERENCE DRAWING C1/S-505 OF GATE 8 EXPANSION PROJECT (M&N PROJECT NO. 5531-211)

A4 DETAIL SCALE: NTS

FOR BID ISSUED: 2019-11-18

DRAWING SCALES SHOWN BASED ON 22"x34" DRAWING



Rev	Date	Description	Author
0	11-18-19	ISSUE FOR BID	JHP

GEORGIA PORTS AUTHORITY  
GARDEN CITY TERMINAL  
INTERMODAL GATE EXPANSION

SECTIONS & DETAILS

Designed by:	PIGOTT	Date:	2019-11-18
Dwn by:	LEE	M&N Project No.:	5531-256
Reviewed by:	GWALTNEY	GPA Project No.:	1904-0596
Submitted by:	HOWARD PIGOTT MOFFATT & NICHOL	Drawing Scale:	AS NOTED
		Plot scale:	1" = 10' (SHEET)

2 EAST BRYAN ST., STE 501  
SAVANNAH, GA 31401  
912-231-0044

M&N PROJECT NO. 5531-256

SEAL

Sheet Reference No.  
**C-501**  
INDEX: 81 OF 5

File: C:\SV\5531-256 Intermodal Gate Expansion\600 CADD\A1 - Gate 8 - C-501.dwg, Plotted: 11/18/2019 5:12 PM by LEE, JAZMYN, Saved: 11/20/2019 4:25 PM by JDL