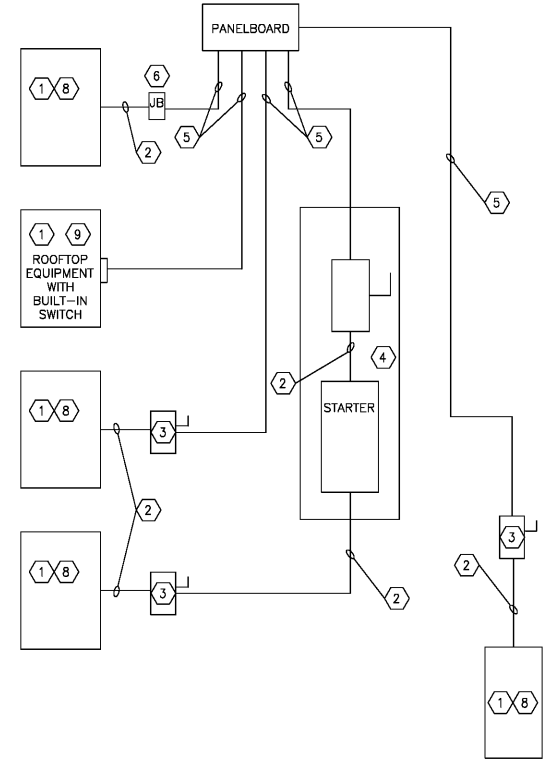


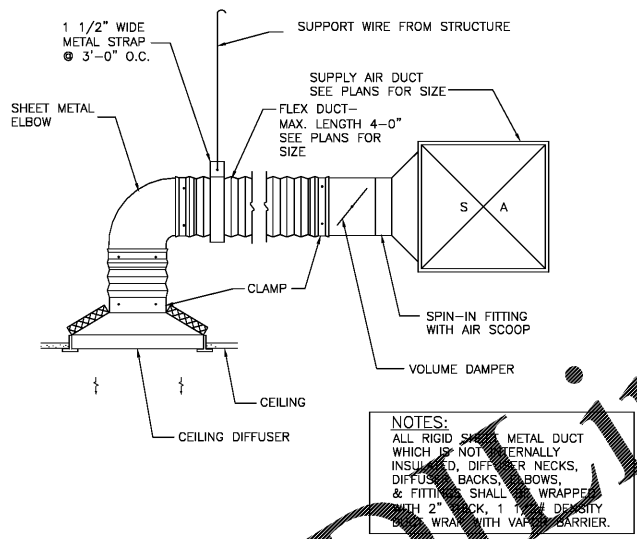
**KEYED NOTES:**

- ① EQUIPMENT OF TRADES OTHER THAN ELECTRICAL.
- ② CONDUIT & WIRING BY HVAC, PLUMBING CONTRACTOR OR OTHER TRADES.
- ③ IF AN ADDITIONAL DISCONNECT IS REQUIRED BY NEC, IT SHALL BE PROVIDED AND INSTALLED BY THE EQUIPMENT CONTRACTOR.
- ④ A COMBINATION STARTER OR VFD MAY BE USED IN LIEU OF A SEPARATE DISCONNECT SWITCH AND STARTER, LOCATED ADJACENT TO EQUIPMENT.
- ⑤ FEEDER CIRCUIT WIRING AND CONDUIT IN ELECTRICAL WORK. SEE PANELBOARD SCHEDULES FOR WIRE AND BREAKER SIZES.
- ⑥ JUNCTION BOX MAY BE SHOWN ON ELECTRICAL PLANS FOR SOME EQUIPMENT. IF NO STARTER OR DISCONNECT IS SUPPLIED, A JUNCTION BOX SHALL BE INSTALLED ADJACENT TO EQUIPMENT. THE ELECTRICAL CONTRACTOR SHALL PROVIDE LINE SIDE WIRING TO THE JUNCTION BOX. LOAD SIDE WIRING WILL BE PROVIDED BY MECHANICAL CONTRACTOR OR OTHER TRADES.
- ⑦ NOT USED.
- ⑧ IN ALL CASES THE EQUIPMENT CONTRACTOR SHALL MAKE FINAL CONNECTIONS, START UP, AND TEST EQUIPMENT.
- ⑨ IF THE ROOF TOP EQUIPMENT IS NOT PROVIDED WITH BUILT IN SWITCH, THE ELECTRICAL CONTRACTOR SHALL PROVIDE A DISCONNECT SWITCH.

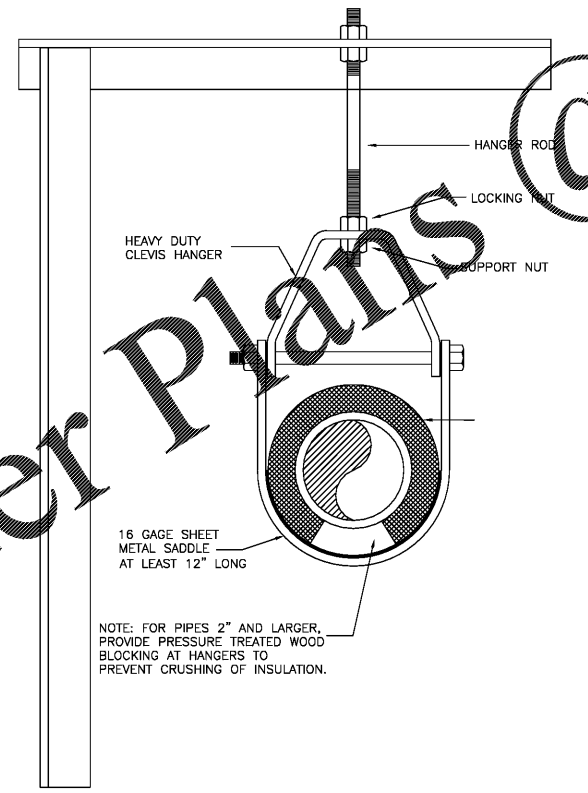


**NOTES:**  
DIVISION 23 CONTRACTOR SHALL BE RESPONSIBLE FOR PROPER DIRECTION OF ROTATION FOR ALL THREE PHASE EQUIPMENT.

① **ELECTRICAL CONNECTIONS TO MECHANICAL EQUIPMENT DETAIL**  
M5.2 Scale: NONE



② **SUPPLY DIFFUSER RUNOUT DETAIL**  
M5.2 Scale: NONE



③ **CLEVIS HANGER DETAIL**  
M5.2 Scale: NONE

Order Plans @ www.LDOnline.com