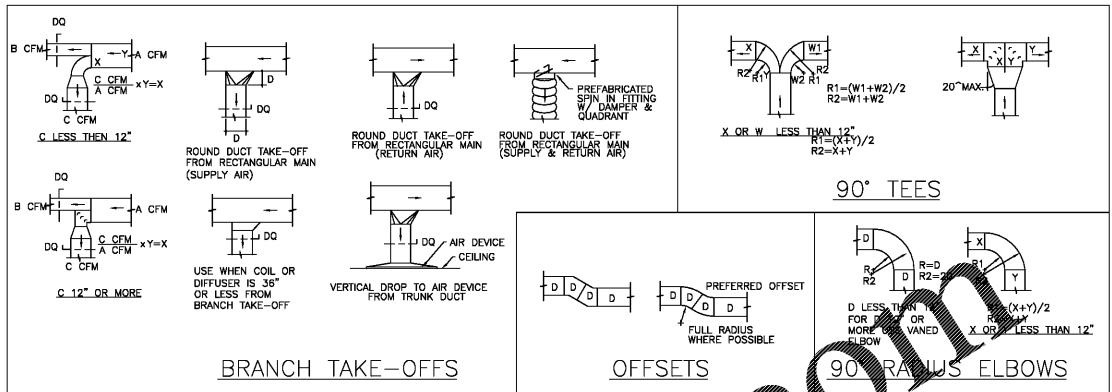
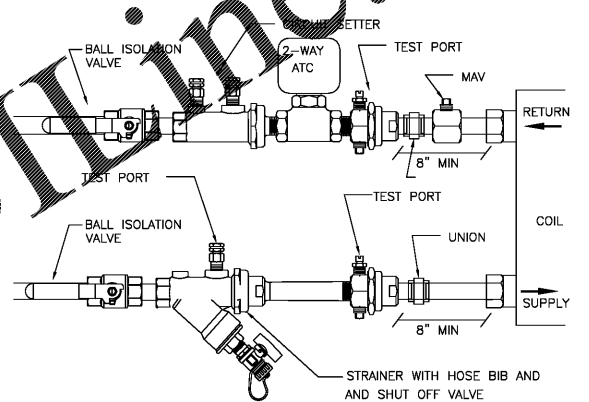


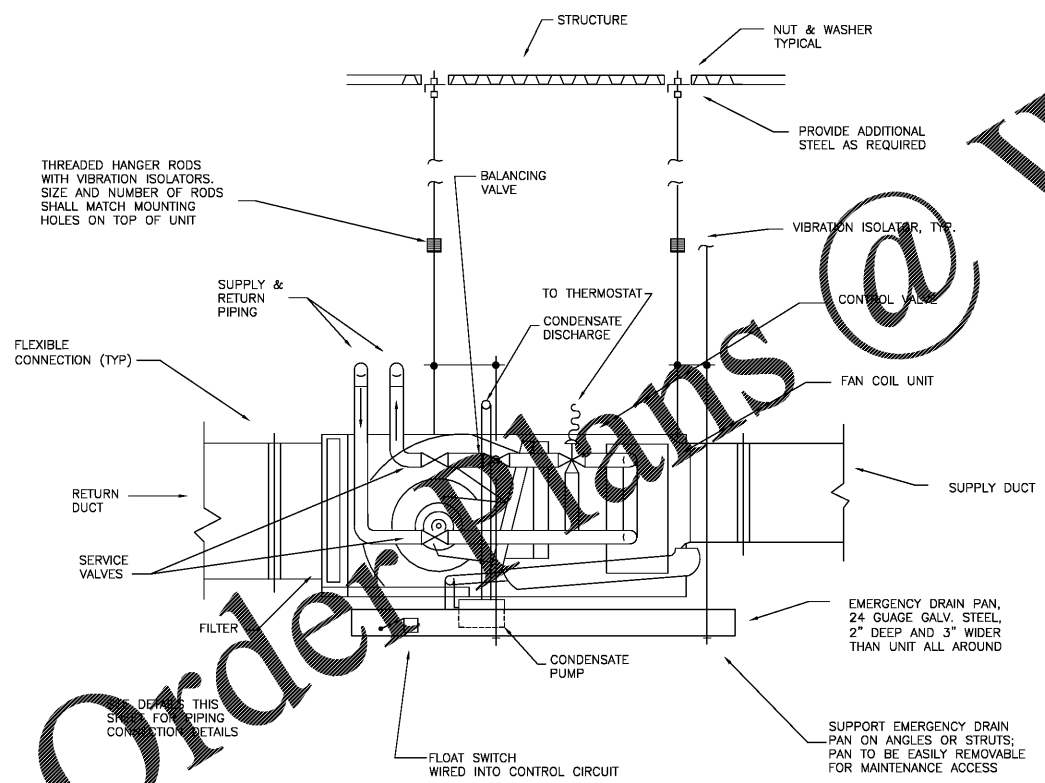
1 MEDIUM PRESSURE ROUND DUCTWORK
Scale: NONE



2 LOW PRESSURE DUCTWORK
Scale: NONE

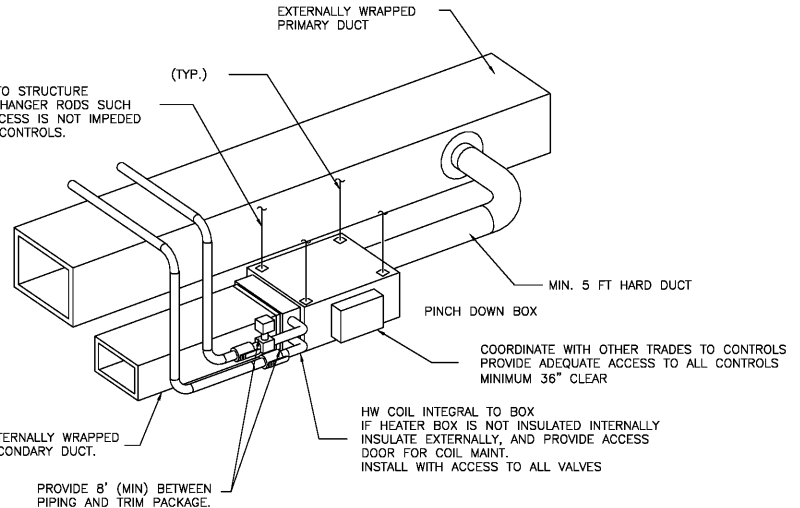


NOTE: MOUNT ALL COIL PACKAGES SUCH THAT ALL PARTS ARE ACCESSIBLE AND PIPING DOES NOT BLOCK ACCESS TO CONTROLS. COORDINATE WITH LIGHTS.



NOTES:

- SEE FLOOR PLANS FOR DUCT SIZES ALL VAV BOXES SHALL BE MOUNTED NO HIGHER THAN 24" ABOVE CEILING GRID FOR BOTTOM MAINTENANCE ACCESS. ALL VAVS SHALL HAVE A LOCAL DISCONNECT (BY M.C.) FOR SERVICE
- COMBINATION BALANCE VALVE / ISOLATION VALVES AND COMBINATION STRAINER / ISOLATION VALVES WILL NOT BE ACCEPTED WITHOUT ADDITIONAL BALL VALVE ISOLATION VALVE LOCATED IN POSITION SHOWN.



Davis Kone
ARCHITECTS, P.A.
ARCHITECTURE · PLANNING · INTERIORS
505-300 OBERLIN ROAD, RALEIGH, NC 27605
919-853-9797 · WWW.DAVISKONE.COM

CONSULTANT
Sigma
Sigma Engineering Solutions, PC
2100 Gateway Center Drive
Suite 100
Microville, NC 27565
Ph: 919-840-9500
Fax: 919-840-9899
www.sigmains.com
North Carolina License #: C-24890
Sigma Project #: 148227

PROJECT INFORMATION

**UNCG ATHLETICS
COLEMAN BUILDING
WEIGHT ROOM**

SCO ID No. 19-20597-01A | Code: 41825 | Item: 304
1408 Walker Ave, Greensboro, NC 27402

SEALS

DKA JOB NUMBER

REVISIONS

These drawings are the property of Davis Kone Architects, P.A. They may not be re-used for any purpose without written permission.
Copyright © 2019 by Davis Kone Architects, P.A. All rights reserved.

PE: PAUL J. ROMITI
PM: PJR
Drawn By: JRE
Plot Date: 10/18/2019 10:00:00 PM

DATE ISSUED

BID DOCUMENTS
10/22/2019

SHEET TITLE
MECHANICAL
DETAILS

M-5.1