

- ### GENERAL PLUMBING NOTES
- NOT ALL SYMBOLS AND ABBREVIATIONS SHOWN ON THIS DRAWING MAY BE USED ON THIS PROJECT.
 - ALL PLUMBING WORK SHALL BE FURNISHED AND INSTALLED PER THE STATE OF NORTH CAROLINA BUILDING CODE: PLUMBING CODE, LATEST EDITION.
 - UNLESS OTHERWISE NOTED ON DRAWINGS, ALL 1 1/2" & 2" SANITARY WASTE AND VENT PIPING SHALL BE RUN AT 1/4" PER FT SLOPE. ALL SANITARY WASTE AND VENT PIPING 3" AND LARGER SHALL BE RUN AT 1/8" PER FT SLOPE. ALL STORM DRAINAGE PIPING SHALL BE RUN AT 1/8" PER FT SLOPE.
 - THE DESIGN/DETAIL/SCHEDULE SHOWN IS BASED ON (MANUFACTURER, MODEL) EQUIPMENT AND IS INTENDED ONLY TO SHOW THE GENERAL SIZE, CONFIGURATION, LOCATION, CONNECTIONS, AND/OR SUPPORT FOR EQUIPMENT OR SYSTEMS SPECIFIED WITH RELATION TO THE OTHER BUILDING SYSTEMS.
 - INSTALL ALL PIPING AT THE MAXIMUM ELEVATION POSSIBLE. PROVIDE ALL FITTINGS, TRANSITIONS AND MATERIALS REQUIRED TO ACHIEVE MAXIMUM ELEVATION. COORDINATE ALL WORK WITH OTHER TRADES PRIOR TO THE START OF WORK TO AVOID CONFLICTS.
 - CONTRACTOR SHALL FURNISH ALL DISCONNECTS REQUIRED FOR PLUMBING EQUIPMENT.
 - CONTRACTOR IS RESPONSIBLE FOR THE COORDINATION OF ALL MANUFACTURER SUBSTITUTIONS OF MECHANICAL EQUIPMENT. SUBMIT A DESCRIPTION OF ANY/ALL CHANGES REQUIRED BY THE SUBSTITUTION, INCLUDING ELECTRICAL AND PLUMBING CONNECTIONS, SIZES, WEIGHTS, AND CLEARANCES. THE CONTRACTOR SHALL BE RESPONSIBLE FOR ANY ADDITIONAL COST ASSOCIATED WITH THE SUBSTITUTION.
 - THE CONTRACTOR SHALL PERFORM ALL WORK IN ACCORDANCE WITH ALL FEDERAL, STATE, AND LOCAL CODES AND REGULATIONS. THE CONTRACTOR SHALL INFORM THE ARCHITECT AND/OR ENGINEER OF ANY CONFLICTS AS SOON AS THEY ARE DETECTED.
 - CONTRACTORS MUST CAREFULLY COORDINATE THE ARRANGEMENT AND INSTALLATION OF THE PLUMBING PIPING WITH OTHER TRADES IN THE MECHANICAL CHASES PRIOR TO THE START OF WORK. ALL PENETRATIONS SHALL BE SLEEVED AND FIRE-PROOFED.
 - ALL WORK SHALL BE NEW AND PROVIDED UNDER THIS CONTRACT UNLESS SPECIFICALLY MARKED "EX", "EXISTING", OR "EXIST".
 - VERIFY LOCATIONS AND DIMENSIONS OF ALL EXISTING EQUIPMENT AND COORDINATE ALL WORK PRIOR TO THE START OF CONSTRUCTION.
 - THESE DRAWINGS ARE NECESSARILY DIAGRAMMATIC IN NATURE. NOT ALL FITTINGS, OFFSETS, VENTS, OR DRAINS ARE SHOWN. THE CONTRACTOR SHALL VISIT THE SITE PRIOR TO BIDDING AND INCLUDE ALL FITTINGS, OFFSETS, VENTS, AND DRAINS AS REQUIRED IN THEIR BID TO PROVIDE A COMPLETE AND FUNCTIONING SYSTEM.
 - THE EXACT LOCATION OF ALL VISIBLE PLUMBING SYSTEM COMPONENTS OTHER THAN FIXTURES INCLUDING, BUT NOT LIMITED TO, FLOOR DRAINS, CLEAN OUTS, AND ACCESS DOORS MUST BE INCLUDED IN COORDINATION DRAWINGS AND/OR OTHERWISE COORDINATED WITH THE ARCHITECT PRIOR TO ROUGH-IN.

PLUMBING FIXTURE SCHEDULE

FIXTURE DESIG.	FIXTURE	DESCRIPTION	SERVICE CONNECTIONS				REMARKS
			SAN	VENT	CW	HW	
KS-1	KITCHEN SINK	AMERICAN STANDARD 225B "COLONY" 15X15 ADA SINGLE BOWL STAINLESS STEEL KITCHEN SINK. SINGLE HOLE, 6" DEEP, 20GA STAINLESS STEEL, TOP MOUNT INSTALLATION, 18" CABINET. AMERICAN STANDARD 7074.300 "COLONY PRO" SINGLE CONTROL KITCHEN FAUCET WITH PULL-DOWN SPRAY.	1-1/2"	1-1/2"	1/2"	1/2"	PROVIDE WITH KEYS 1/2" STOPS AND P-TRAP W/ CLEANOUT. PROVIDE WITH ASSE 1070 THERMOSTATIC MIXING VALVE. SET TEMP TO 120°F MAX. PROVIDE SINK WITH DISHWASHER SUPPLY AND WASTE CONNECTIONS FOR ADJACENT DISHWASHER. PROVIDE ADDITIONAL WASTE & SUPPLY CONNECTIONS FOR NEARBY GATORADE DISPENSER AND PROVIDE ASSE 1022 SUAL CHECK WITH ATMOSPHERIC VENT.
EW-1	ELECTRIC BOTTLE FILLER	ELKAY LZWSM8PC "EZ20" IN-WALL BOTTLE FILLING STATION, FILTERED 8GPH STAINLESS. PROVIDE COMPLETE WITH VISUAL FILTER MONITOR, MODEL ECH8 CHILLER, AND MODEL EWF3000 FILTER.	1-1/4"	1-1/4"	1/2"	-	PROVIDE MODEL MFWS100 MOUNTING FRAME AND ANY OTHER BRACING AND SUPPORTS NECESSARY. MOUNT IN COMPLIANCE WITH ADA REQUIREMENTS.
EW-2	BI-LEVEL ELECTRIC WATER COOLER	ELKAY LZWSL8LFC "VERSATILE" COOLER WALL MOUNT BI-LEVEL ADA FILTERED 8GPH LIGHT GRAY GRANITE.	1-1/4"	1-1/4"	1/2"	-	PROVIDE ALL REQUIRED MOUNTING HARDWARE. COORDINATE RECEPTACLE INSTALLATION LOCATION WITH ELECTRICAL CONTRACTOR. INSTALL TO MEET ADA REQUIREMENTS. CONNECT TO NEW LINES IN NEW WALL FROM EXISTING LINES ABOVE OR BELOW SLAB.

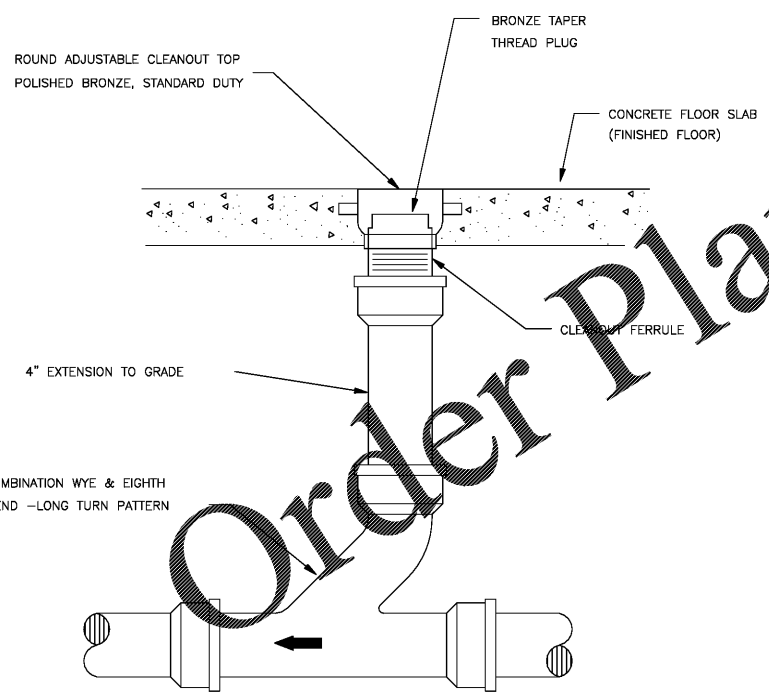
- NOTES:**
- PLUMBING FIXTURES SPECIFIED ARE GENERALLY AMERICAN STANDARD, ELKAY, ZURN, WATTS AND HAWS. FIXTURES AS MANUFACTURED BY KOLHER, ELJER, GUARDIAN, OR CRANE MAY BE SUBMITTED FOR APPROVAL PROVIDING THE SELECTION IS STRICTLY APPROVED EQUIVALENT.
 - ONLY EW-2 IS TO BE PROVIDED AS PART OF BASE BID. ALL OTHER FIXTURES ARE PROVIDED WITH THE ALTERNATE. REFERENCE FLOOR PLANS FOR MORE INFORMATION.

PLUMBING LEGEND

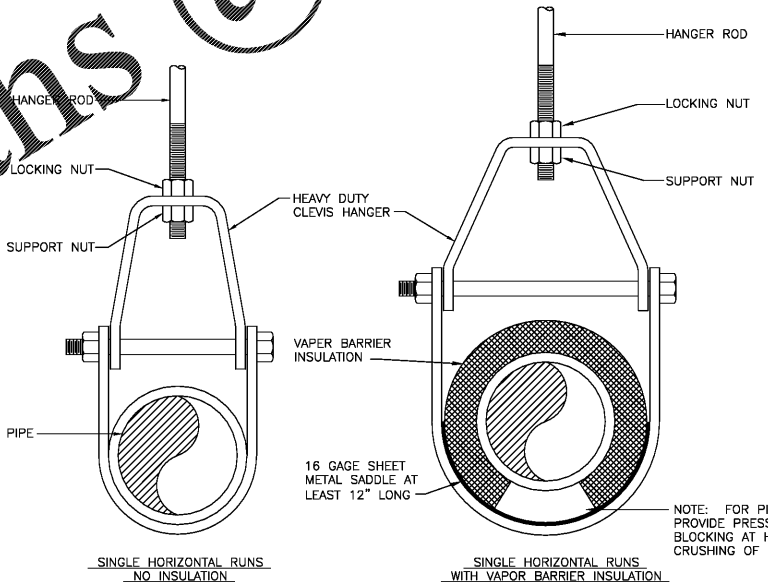
SYMBOL SCHEDULE	ABBREVIATIONS
	AFC ABOVE FINISH CEILING
	AFF ABOVE FINISH FLOOR
	AFG ABOVE FINISH GRADE
	AFH ANTI-FREEZE HYDRANT
	AAV AIR ADMITTANCE VALVE
	BFF BELOW FINISHED FLOOR
	CI CAST IRON
	CO CLEANOUT
	CW COLD WATER
	EW-1 ELECTRIC WATER COOLER
	FD FLOOR CLEANOUT
	FD FLOOR DRAIN
	GPH GALLONS PER HOUR
	IB HOSE BIBB
	LD LUB DRAIN
	UB CLEANOUT
	YCD YARD CLEANOUT
	HWR HOT WATER SUPPLY
	HWR HOT WATER RETURN
	IW INDIRECT WASTE
	LAV LAVATORY
	SA SHOCK ARRESTOR
	TYP TYPICAL
	UR URINAL
	V VENT
	VTR VENT THRU ROOF
	W WASTE
	WC WATER CLOSET
	WCO WALL CLEANOUT
	YCD YARD CLEANOUT
	CONNECT TO EXISTING
	POINT OF DEMOLITION

PLUMBING LOAD SUMMARY

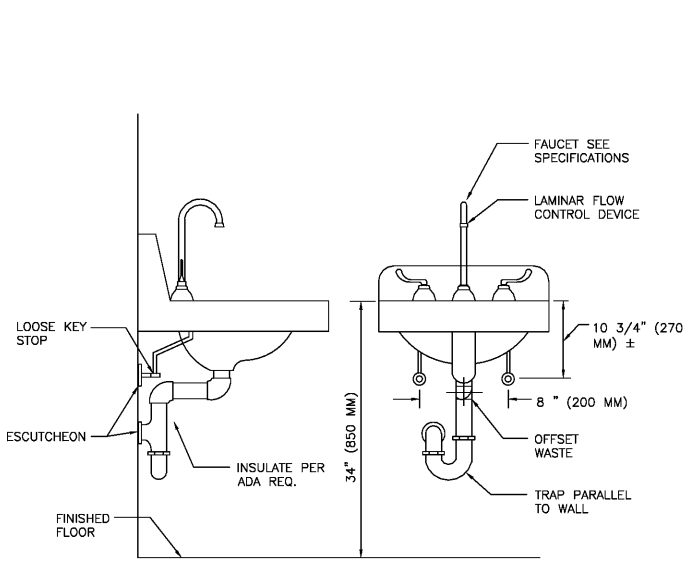
DOMESTIC WATER	2.50 WATER F.U.
SANITARY WASTE	1.65 DRAIN F.U.



1 TYPICAL FLOOR CLEANOUT DETAIL
Scale: NONE



2 CLEVIS HANGER DETAIL
Scale: NONE



3 TYPICAL WHEELCHAIR LAVATORY DETAIL
Scale: NONE

Davis Kane
ARCHITECTS, P.A.
ARCHITECTURE · PLANNING · INTERIORS
505-300 OBERLIN ROAD, RALEIGH, NC 27605
919-853-9797 · WWW.DAVISKANE.COM

Sigma
CONSULTANT
Sigma Engineering Solutions, PC
2100 Gateway Center Drive
Suite 100
Millsville, NC 27566
Ph: 919-840-9500
Fax: 919-840-9599
www.sigmapro.com
North Carolina License # C-24890
Sigma Project # 140217
PROJECT INFORMATION

**UNCG ATHLETICS
COLEMAN BUILDING
WEIGHT ROOM**
SCO ID No. --- | Code: --- | Item: ---
1408 Walker Ave, Greensboro, NC 27402

SEALS

Paul J. Romiti
SEAL
02658
10-18-19
PAUL J. ROMITI
ENGINEER

DKA JOB NUMBER

REVISIONS

These drawings are the property of Davis Kane Architects, P.A. They may not be re-used for any purpose without written permission.
Copyright © 2018 by Davis Kane Architects, P.A. All rights reserved.

PE: PAUL J. ROMITI
PM: PJR
Drawn By: JRE
Plot Date: 10/18/2019 10:00:00 PM

DATE ISSUED

BID DOCUMENTS
10/22/2019

SHEET TITLE
PLUMBING COVER

P-0.1