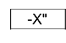
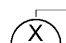
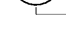
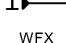
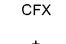


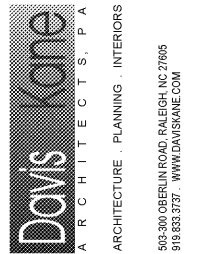
ABBREVIATIONS:

AFF	ABOVE FINISHED FLOOR	KCJ	KEYED CONSTRUCTION JOINT
ARCH	ARCHITECT	LLH	LONG LEG HORIZONTAL
BD	BAR DIAMETER	LLV	LONG LEG VERTICAL
BEJ	BUILDING EXPANSION JOINT	LSH	LONG SIDE HORIZONTAL
BLDG	BUILDING	LSV	LONG SIDE VERTICAL
BM	BEAM	MAS	MASONRY
BOT, B	BOTTOM	MATL	MATERIAL
BRG	BEARING	MAX	MAXIMUM
BTWN	BETWEEN	MFR	MANUFACTURER
CJ	CONTROL JOINT	MID	MIDDLE
CL	CENTERLINE	MIN	MINIMUM
CLR	CLEAR	NTS	NOT TO SCALE
CMU	CONCRETE MASONRY UNIT	OC	ON CENTER
COL	COLUMN	OPH	OPPOSITE HAND
CONC	CONCRETE	OPNG	OPENING
CONN	CONNECTION	PAF	POWDER ACTUATED FASTENER
CONT	CONTINUOUS	PAR	PARALLEL
COORD	COORDINATE	PC	PIECE
DIA	DIAMETER	PL	PLATE
DJ	DOUBLE JOIST	R	RADIUS
DN	DOWN	REF	REFERENCE, REFER TO
DWGS	DRAWINGS	REINF	REINFORCE, REINFORCED, REINFORCING
EA	EACH	REQD	REQUIRED
EL	ELEVATION	SCHED	SCHEDULE
EMBED	EMBEDMENT	SIM	SIMILAR
EQ	EQUAL	SJ	SAWED JOINT
EXIST	EXISTING	T&G	TONGUE AND GROOVE
FDN	FOUNDATION	THK	THICKNESS
FF EL	FINISHED FLOOR ELEVATION	TOC	TOP OF CONCRETE
FIN	FINISH	TOS	TOP OF STEEL
FIN FLR	FINISHED FLOOR	TYP	TYPICAL
FRMG	FRAMING	UON	UNLESS OTHERWISE NOTED
FTG	FOOTING	VERT	VERTICAL
FV	FIELD VERIFY	W/	WITH
GALV	GALVANIZED	WWR	WELDED WIRE REINFORCING
HORIZ	HORIZONTAL		

PLAN LEGEND:

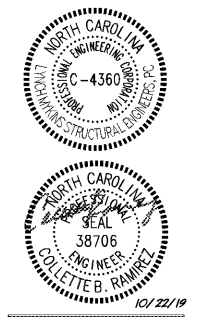
- TOS = +X'-X" = TOP OF STEEL ELEVATION MEASURED FROM REFERENCED FINISHED FIRST FLOOR ELEVATION = 0'-0"
- JBE = +X'-X" = JOIST BEARING ELEVATION MEASURED FROM REFERENCED FINISHED FIRST FLOOR ELEVATION = 0'-0"
- (-X'-X") = TOP OF FOOTING ELEVATION MEASURED FROM REFERENCED FINISHED FIRST FLOOR ELEVATION = 0'-0"
- X"  = TOP OF SLAB ELEVATION MEASURED FROM REFERENCED FINISHED FIRST FLOOR ELEVATION = 0'-0"
- = KCJ, CJ, OR SJ LINE ON PLAN
- (X) = COLUMN GRID MARK
-  = SECTION/DETAIL NUMBER/LETTER
-  = SECTION/DETAIL MARK
-  = SHEET NUMBER WHERE SECTION/DETAIL MARK IS DRAWN
-  = MOMENT CONNECTION
- WFX = WALL FOOTING MARK
- CFX = COLUMN FOOTING MARK
- ± = FIELD VERIFY

Order Plans @ www.LDILine.com



UNCG ATHLETICS
COLEMAN BUILDING WEIGHT ROOM
1408 Walker Ave. Greensboro, NC

SEALS



DKA JOB NUMBER

1915

REVISIONS

NO.	DESCRIPTION

These drawings are the property of Davis Kone Architects, P.A. They may not be re-used for any purpose without written permission. Copyright © 2019 by Davis Kone Architects, P.A. All rights reserved.

PE:
PM:
Drawn By:
Plot Date: 10/18/2019 4:42:25 PM

DATE ISSUED

BID DOCUMENTS
10/22/19

SHEET TITLE
ABBREVIATIONS AND LEGEND

S002