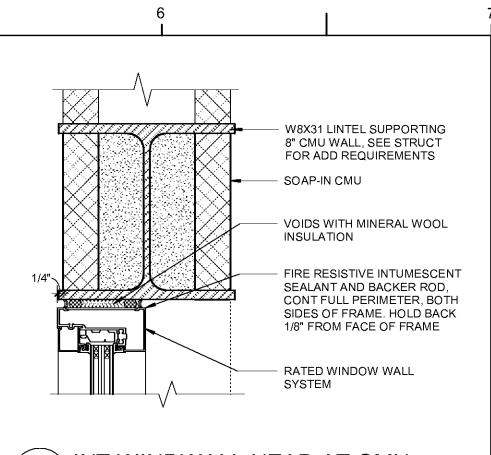
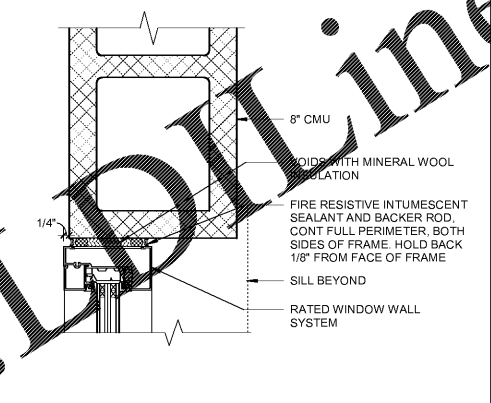


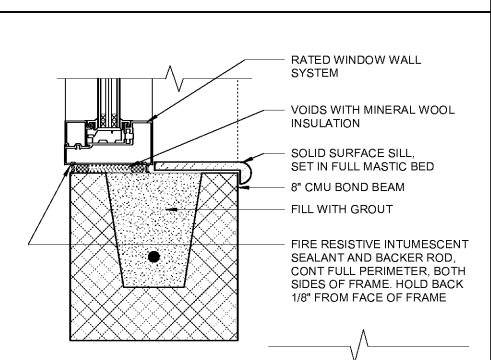
C1 STOREFRONT SCHEDULE
3/8" = 1'-0"



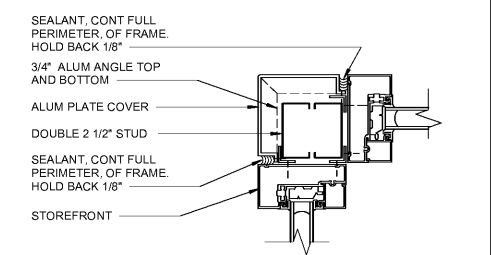
G6 INT WINDWALL HEAD AT CMU
3" = 1'-0"



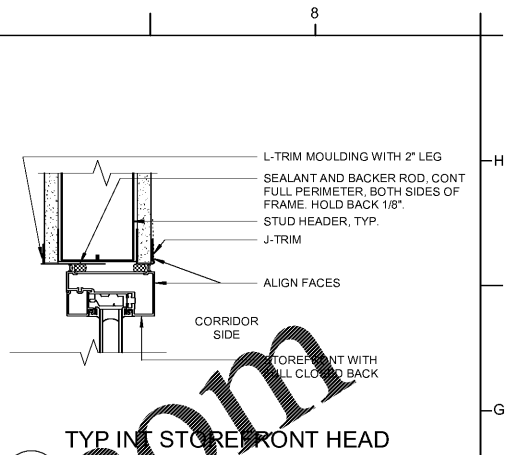
E6 INT WINDWALL JAMB AT CMU
3" = 1'-0"



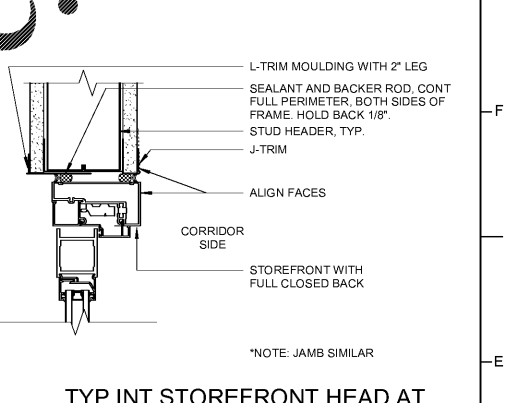
C6 INT WINDWALL SILL AT CMU
3" = 1'-0"



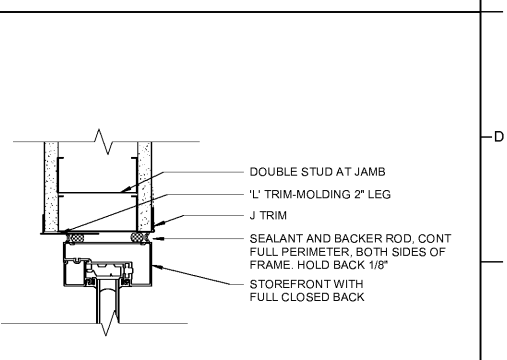
A6 TYP INT STOREFRONT CORNER
3" = 1'-0"



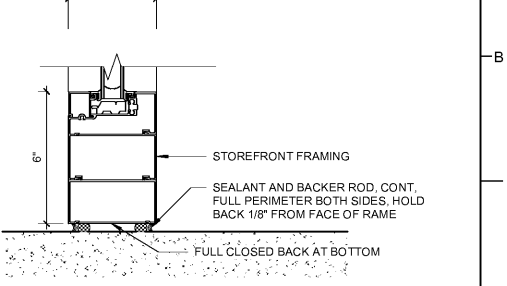
G7 TYP INT STOREFRONT HEAD AT GWB
3" = 1'-0"



E7 TYP INT STOREFRONT HEAD AT DOOR GWB
3" = 1'-0"

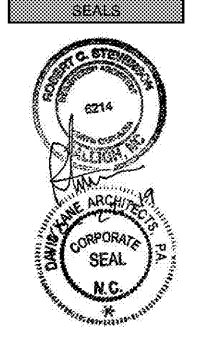


C7 TYP INT STOREFRONT JAMB AT GWB
3" = 1'-0"



A7 TYP INT STOREFRONT SILL AT FLOOR
3" = 1'-0"

Order Plans @ WWW.WOLLINE.COM



DKA JOB NUMBER
1915

REVISIONS

These drawings are the property of Davis Kone Architects, P.A. They may not be re-used for any purpose without written permission.
Copyright © 2019 by Davis Kone Architects, P.A. All rights reserved.
PA: RS
PM: SB
Drawn By: JW
Plot Date: 10/23/2019 4:11:28 PM

DATE ISSUED

BID DOCUMENTS
10/22/19

SHEET TITLE
STOREFRONT SCHEDULE

A-7.2