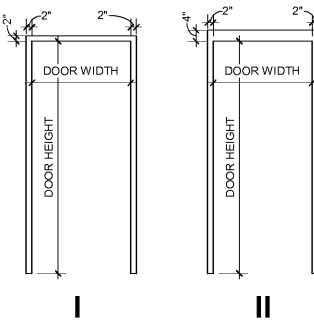


DOOR NUMBER	DOOR						FRAME			HARDWARE	SIGN TYPE
	TYPE	WIDTH	HEIGHT	THICKNESS	MATERIAL	FINISH	Type	MATERIAL	FINISH		
123.1	B	6'-0"	7'-10"	1 3/4"	ALUM	FACT	I	ALUM	FACT	1	B
123.2	B	3'-0"	7'-10"	1 3/4"	ALUM	FACT	I	ALUM	FACT	2	B
150	A	3'-0"	7'-0"	1 3/4"	WOOD	STAIN	II	HM	PAINT	6	B
151	A	3'-0"	7'-0"	1 3/4"	WOOD	STAIN	II	HM	PAINT	6	B
223	A	5'-0"	7'-0"	1 3/4"	PLAM	FACT	II	HM	PAINT	5	A

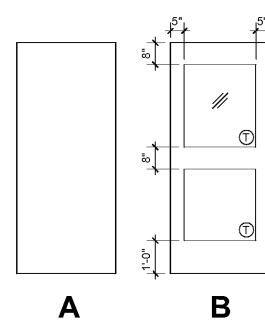
DOOR & FRAME GENERAL NOTES:

- SEE DOOR FRAME DETAILS ON THIS SHEET FOR FRAME DEPTHS.
- PAINT ALL HM FRAMES.
- ALL DOORS IN SCHEDULE NOTED AS 6'-0" DOOR WIDTH CONSIST OF (2) 3'-0" WIDE DOORS.
- SEE ENLARGED STOREFRONT ELEVATIONS ON SHEET A-7.2.

DOOR FRAME TYPES:

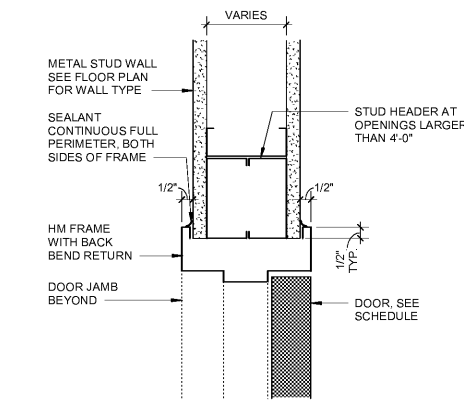


DOOR TYPES:

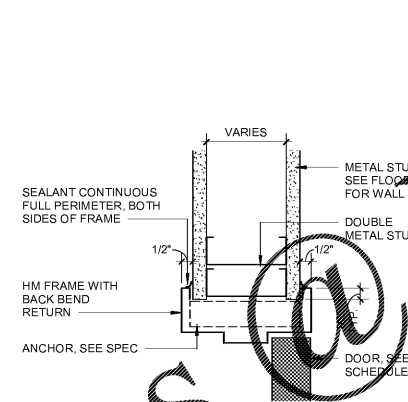


DOOR & FRAME SYMBOL LEGEND

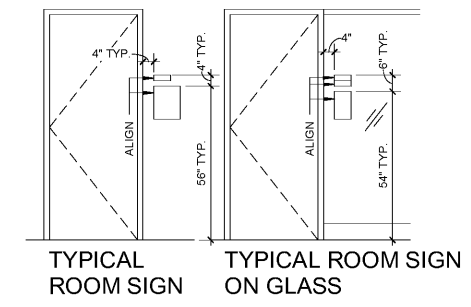
- INDICATES GLAZING
- INDICATES TINTED GLAZING



C1 TYP INT HM DOOR HEAD AT GWB
3" = 1'-0"

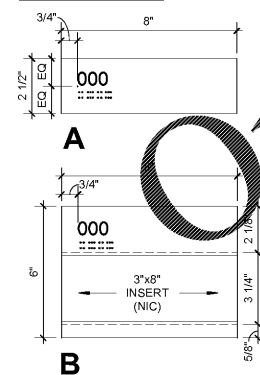


C3 TYP INT HM DOOR JAMB AT GWB
3" = 1'-0"



C7 SIGN MOUNTING LOCATIONS
3/8" = 1'-0"

SIGN TYPES:



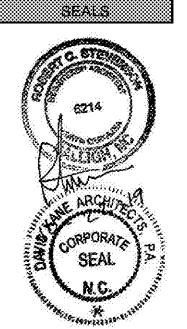
A1 SIGN TYPES
3" = 1'-0"

CHAMPIONS FUEL HERE
VINYL LETTER SIGN

NOTE: BY OWNER

NUTRITION CENTER
METAL DIMENSIONAL LETTERS

NOTE: BY OWNER



DKA JOB NUMBER
1915

REVISIONS

These drawings are the property of Davis Kone Architects, P.A. They may not be re-used for any purpose without written permission. Copyright © 2019 by Davis Kone Architects, P.A. All rights reserved.
PA: RS
PM: SB
Drawn By: JW
Plot Date: 10/23/2019 4:07:25 PM

DATE ISSUED

BID DOCUMENTS
10/22/19

SHEET TITLE
DOOR SCHEDULE

A-7.1