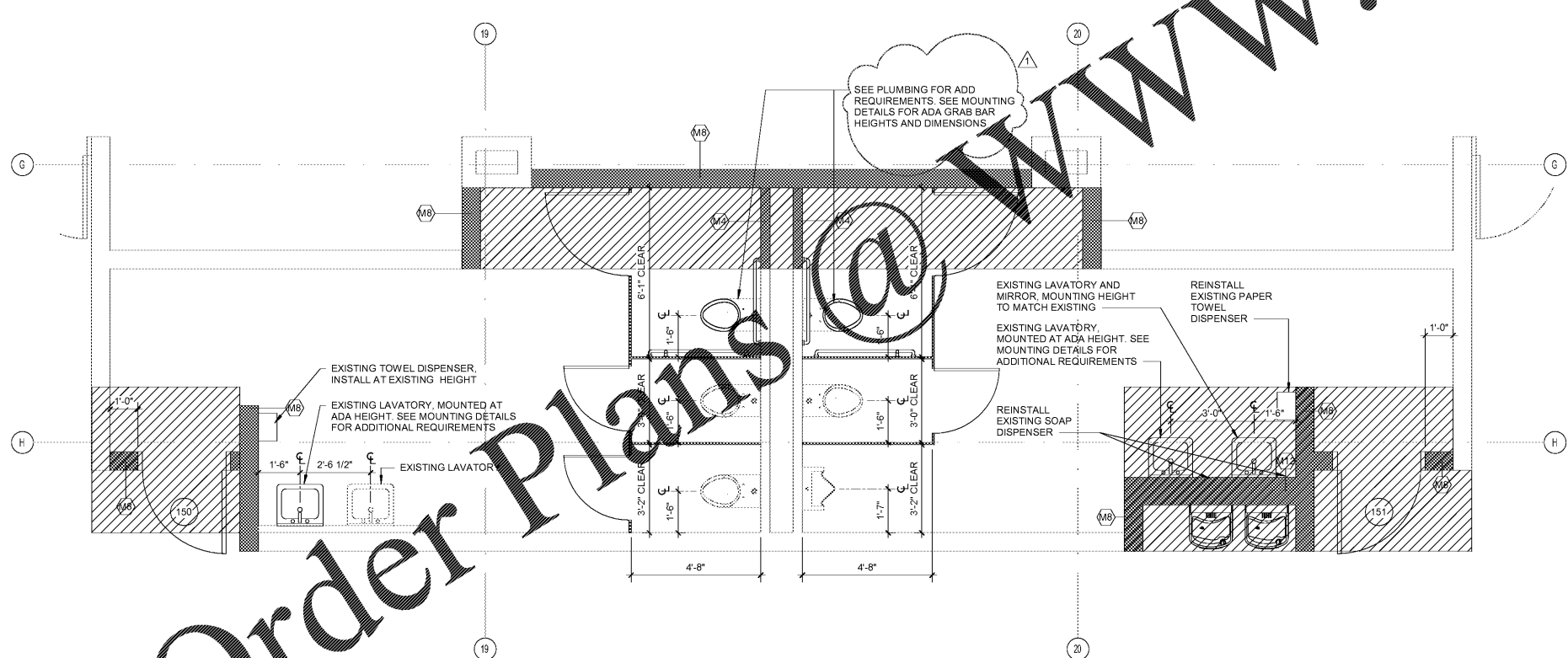


E1 ADA BATHROOM DEMO PLAN
 3/8" = 1'-0"

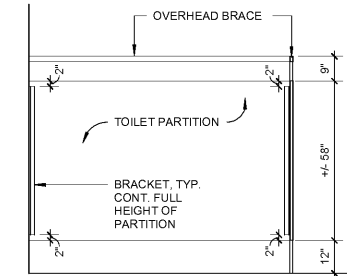
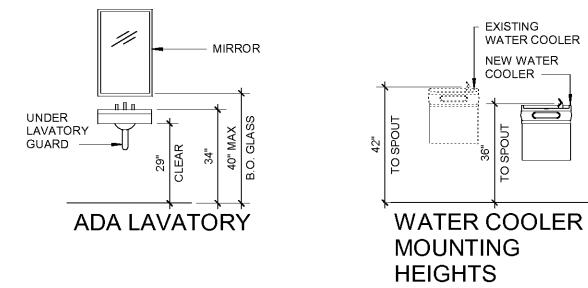


A1 ADA BATHROOM ALTERATION PLAN
 3/8" = 1'-0"

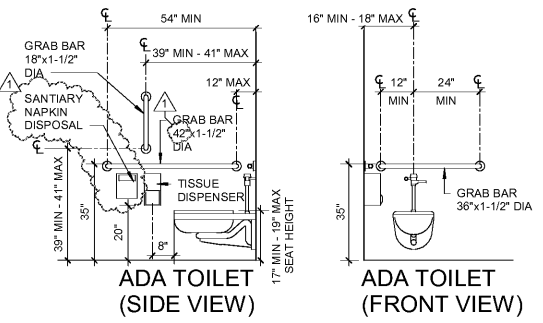
FLOOR PLAN HATCH LEGEND:

- NEW CONCRETE SLAB ON GRADE TO APPROXIMATE EXTENTS INDICATED BY HATCH ON PROPERLY COMPACTED 4" STONE FILL AND NEW VAPOR BARRIER TO MEET ADJACENT FLOOR SLAB ELEVATION, UON. SEE STRUCTURAL DRAWINGS FOR ADDITIONAL REQUIREMENTS.
- NEW WALL. SEE A-0.0 FOR PARTITION SCHEDULE AND WALL TYPES
- EXISTING WALL TO REMAIN

MOUNTING DETAILS:



TOILET PARTITION (SIDE VIEW)



ADA TOILET (SIDE VIEW) ADA TOILET (FRONT VIEW)

Order Plans @ www.LDILine.com

www.LDILine.com