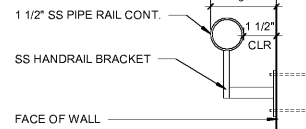
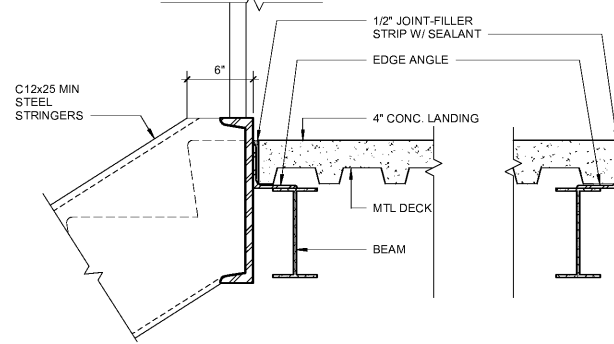


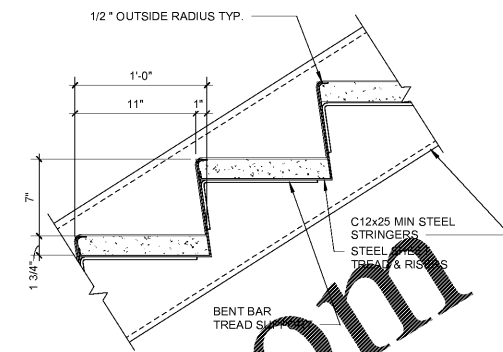
NOTE: BRACKETS TO BE EQUALLY SPACED ALONG HANDRAIL, 4'-0" MAX



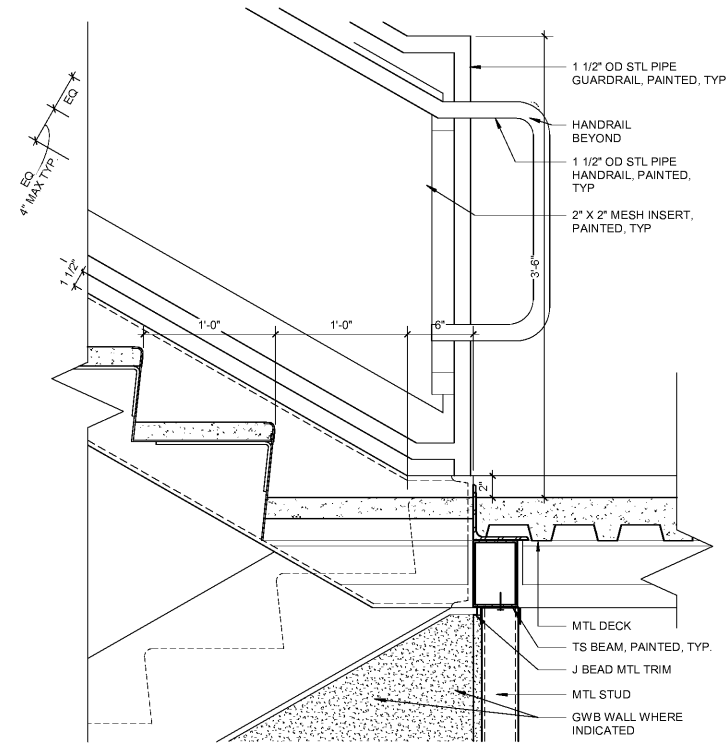
**G2** TYP HANDRAIL AT CMU WALL ALTERNATE  
3" = 1'-0"



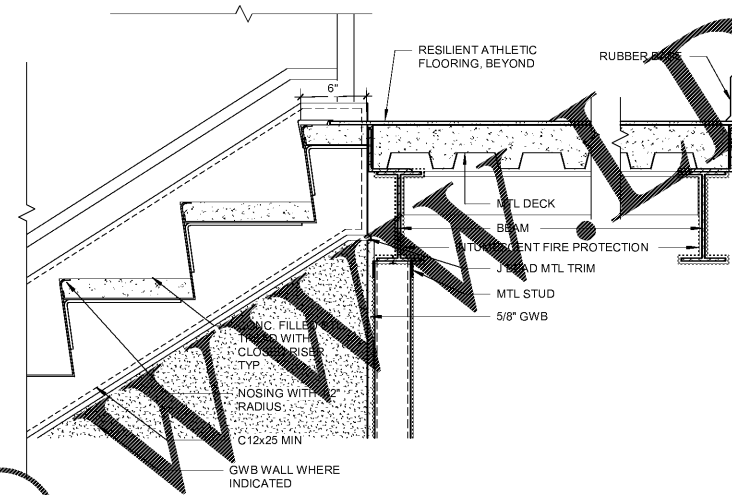
**G4** TYP STAIR LANDING ALTERNATE  
1 1/2" = 1'-0"



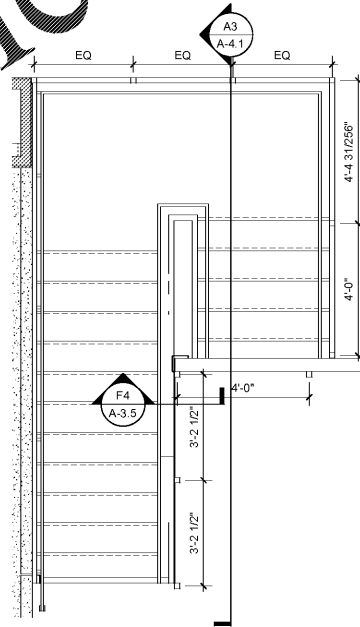
**G7** TYP INTERIOR STAIR TREAD ALTERNATE  
1 1/2" = 1'-0"



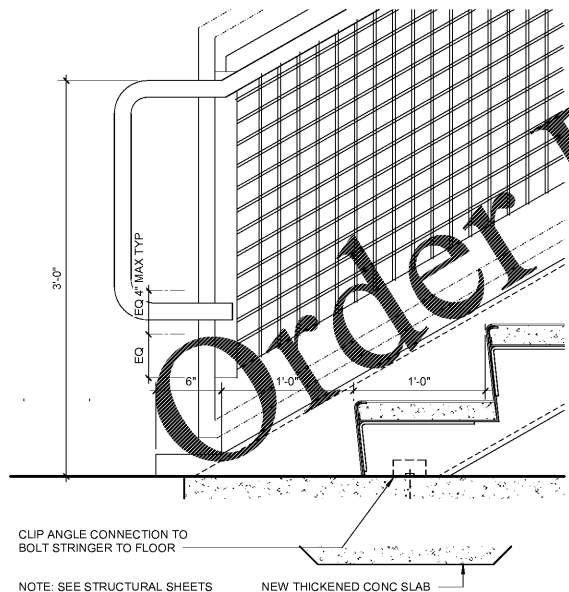
**D1** TYP STAIR INT - LANDING SECTION (horizontal bar)  
1 1/2" = 1'-0"



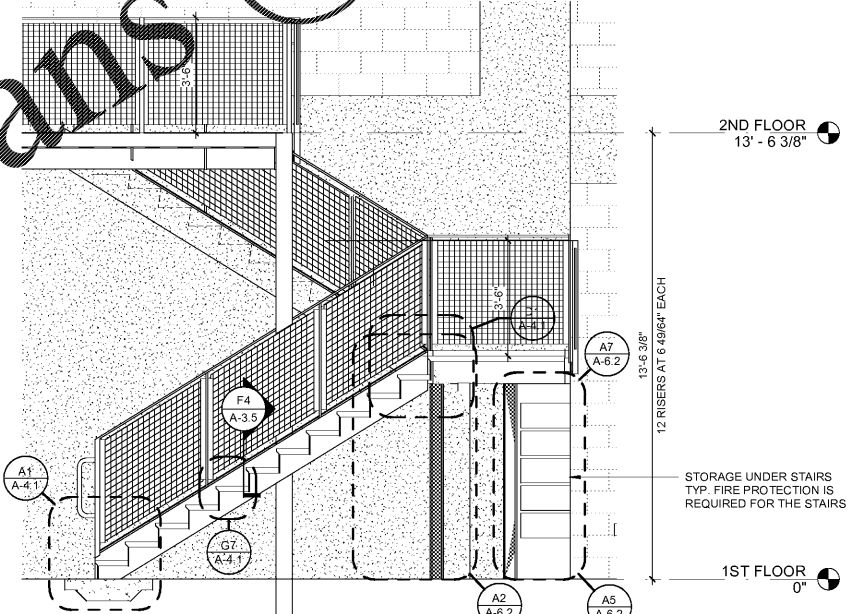
**D4** STAIR - TOP LANDING SECTION  
1 1/2" = 1'-0"



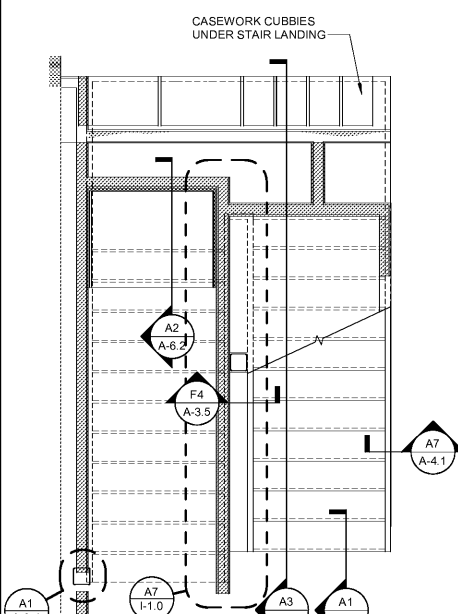
**D7** STAIR - 2ND FLOOR PLAN ALTERNATE  
3/8" = 1'-0"



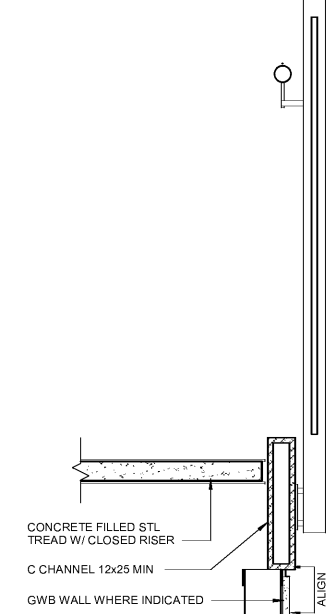
**A1** BOTTOM LANDING SECTION ALTERNATE  
1 1/2" = 1'-0"



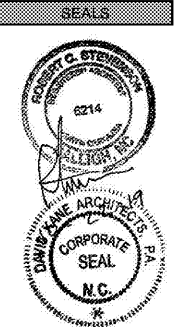
**A3** STAIR SECTION ALTERNATE  
3/8" = 1'-0"



**A6** STAIR - 1ST FLOOR PLAN ALTERNATE  
3/8" = 1'-0"



**A7** TYP HANDRAIL AND GUARDRAIL SECTION ALTERNATE  
1 1/2" = 1'-0"



DKA JOB NUMBER
1915

REVISIONS

These drawings are the property of Davis Kone Architects, P.A. They may not be re-used for any purpose without written permission. Copyright © 2019 by Davis Kone Architects, P.A. All rights reserved.

PA: RS  
PM: SB  
Drawn By: JW  
Plot Date: 10/23/2019 4:09:53 PM

DATE ISSUED

BID DOCUMENTS  
10/22/19

**SHEET TITLE**  
ENLARGED STAIR PLANS AND DETAILS ALTERNATE #2  
**A-4.1**