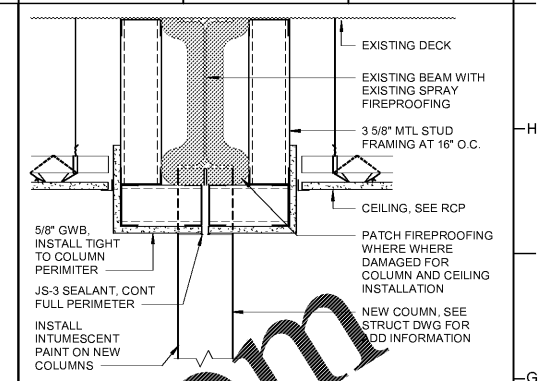
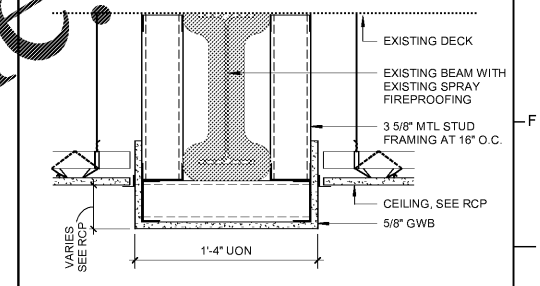


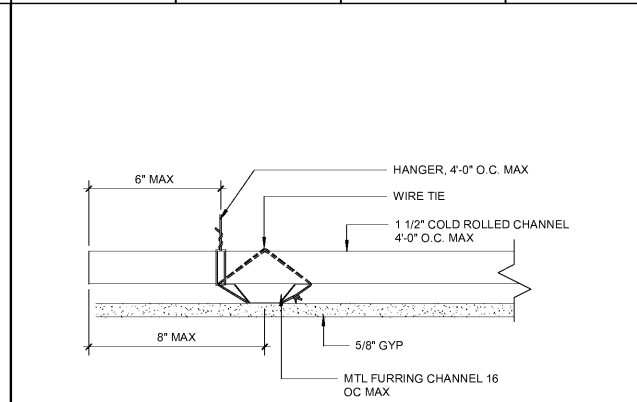
NO.	DESCRIPTION



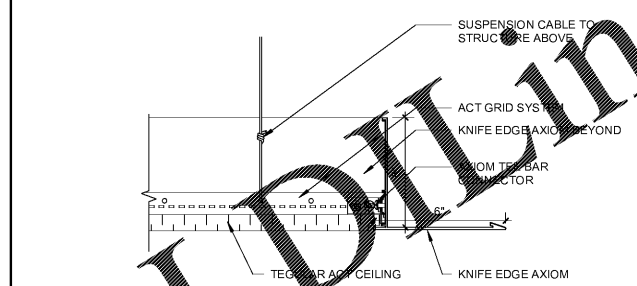
G7 GWB BULKHEAD AT EXISTING FIRE RATED BEAM AND NEW COLUMN DETAIL
 1 1/2" = 1'-0"



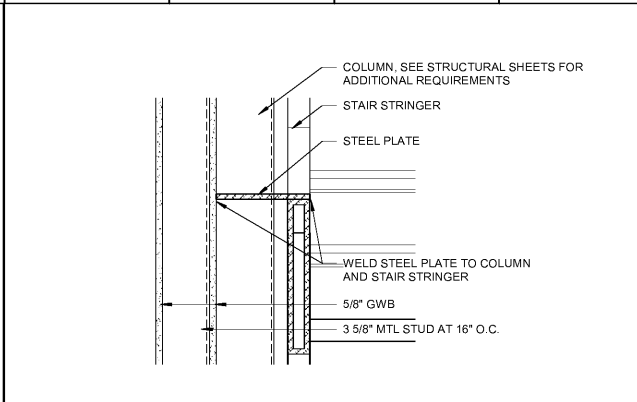
E7 GWB BULKHEAD AT EXISTING FIRE RATED BEAM DETAIL
 1 1/2" = 1'-0"



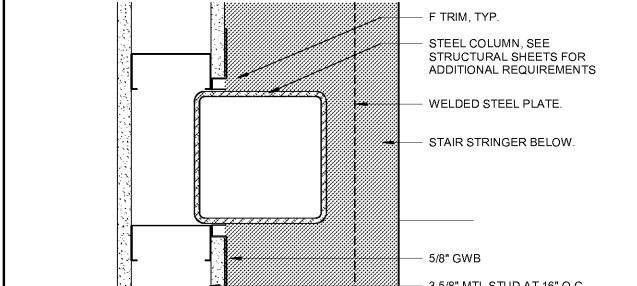
F5 GWB SUSPENDED CEILING DETAIL, TYP
 3" = 1'-0"



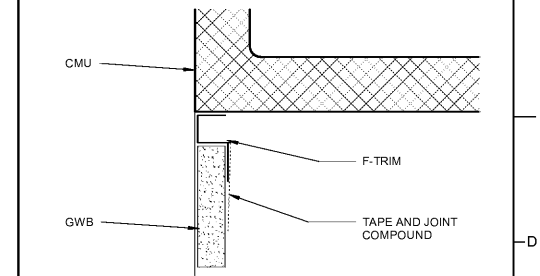
E5 CLOUD CEILING DETAIL
 1" = 1'-0"



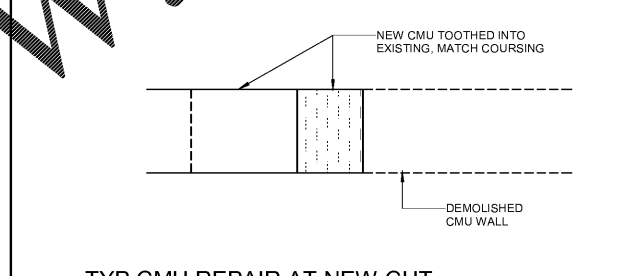
F4 STEEL PLATE AT STAIR COLUMN
 1 1/2" = 1'-0"



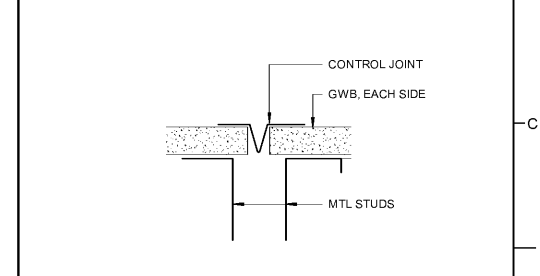
E4 STAIR COLUMN DETAIL
 3" = 1'-0"



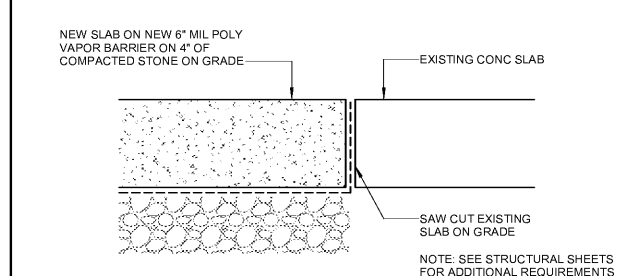
D7 GWB F-REVEAL TYP.
 6" = 1'-0"



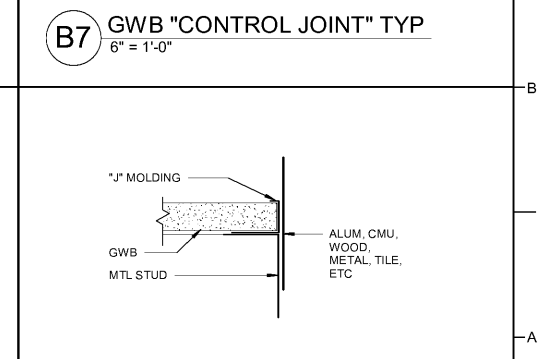
D5 TYP CMU REPAIR AT NEW CUT IN EXISTING CMU WALL
 1 1/2" = 1'-0"



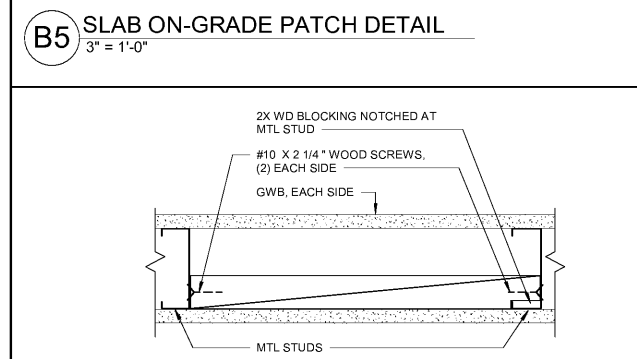
B7 GWB "CONTROL JOINT" TYP
 6" = 1'-0"



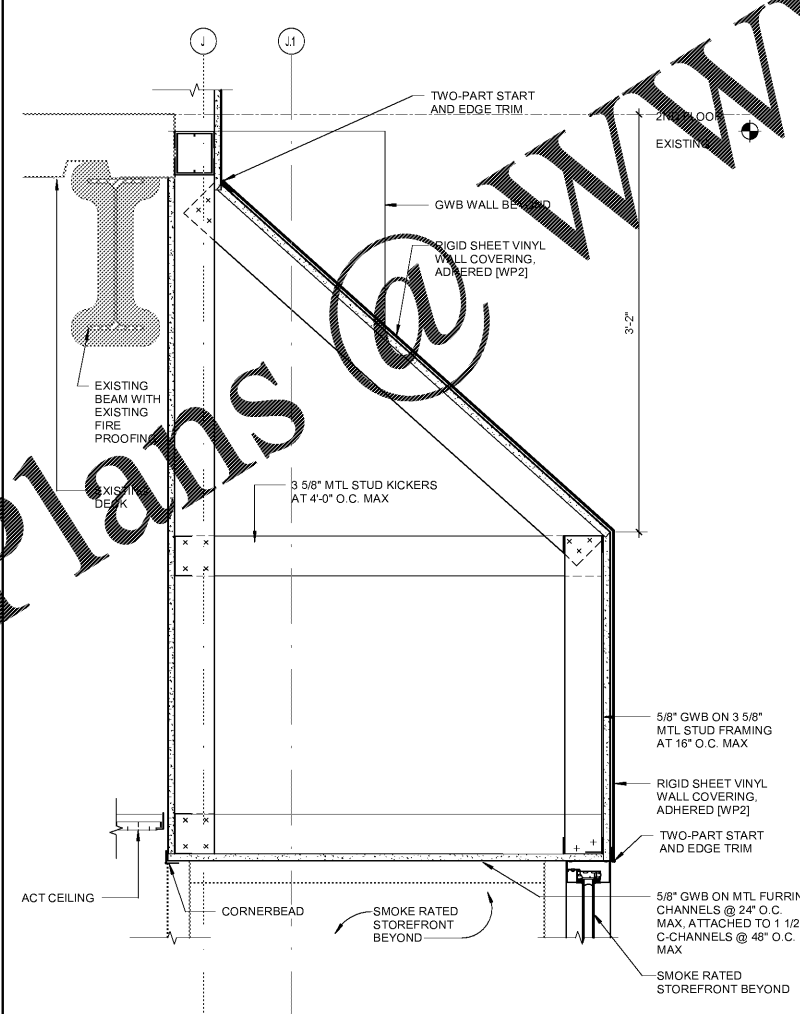
B5 SLAB ON-GRADE PATCH DETAIL
 3" = 1'-0"



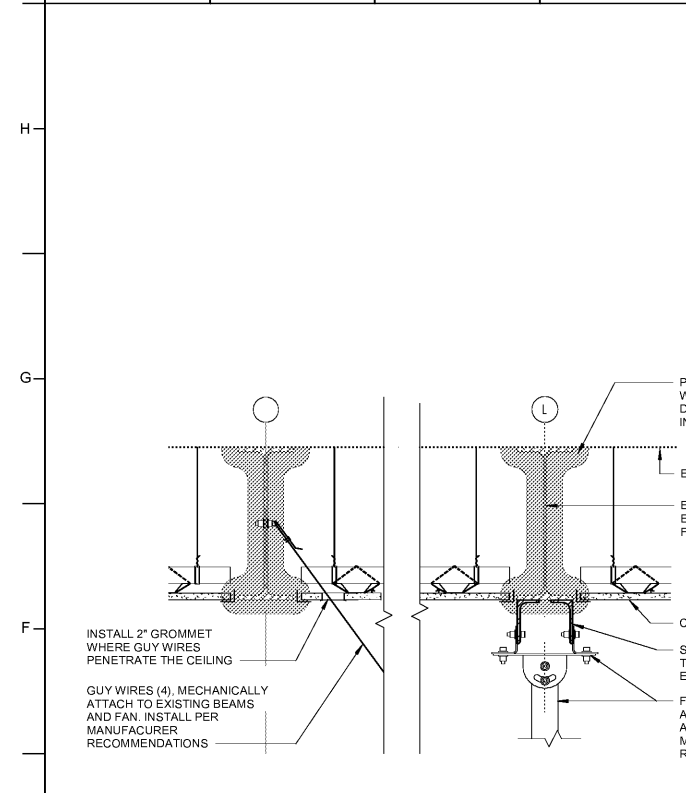
A7 GWB "J" MOLDING, TYP
 6" = 1'-0"



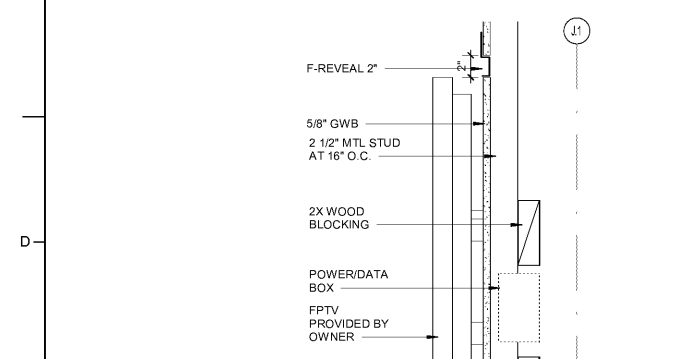
A5 TYP WOOD BLOCKING IN GWB WALL PLAN DETAIL
 3" = 1'-0"



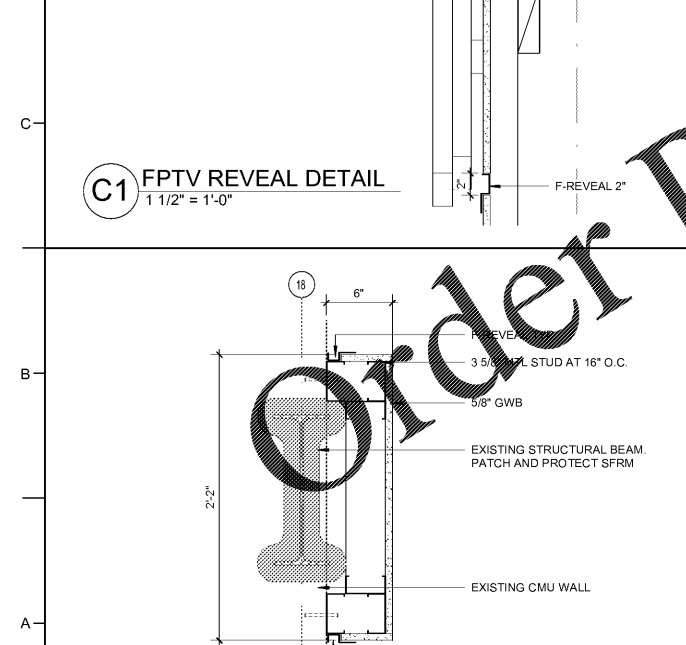
A3 GWB SLANTED CEILING AT ENTRANCE
 1 1/2" = 1'-0"



E1 FAN ATTACHMENT TO BEAM DETAIL
 1 1/2" = 1'-0"



C1 FPTV REVEAL DETAIL
 1 1/2" = 1'-0"



A1 BEAM WRAP AT ATRUIM WALL
 1 1/2" = 1'-0"