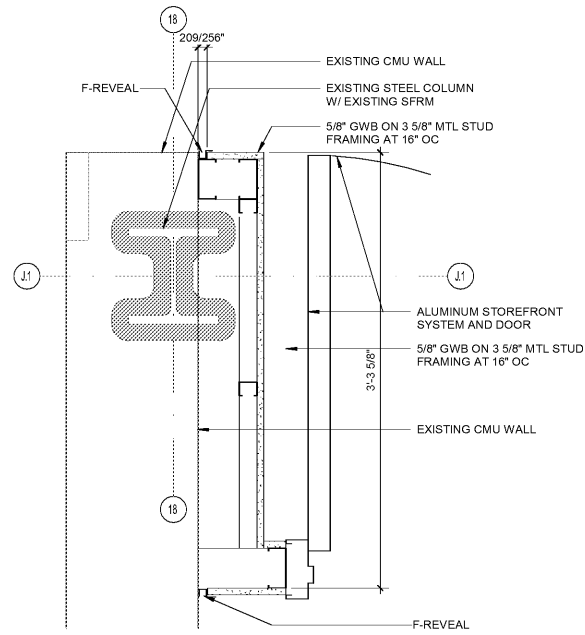
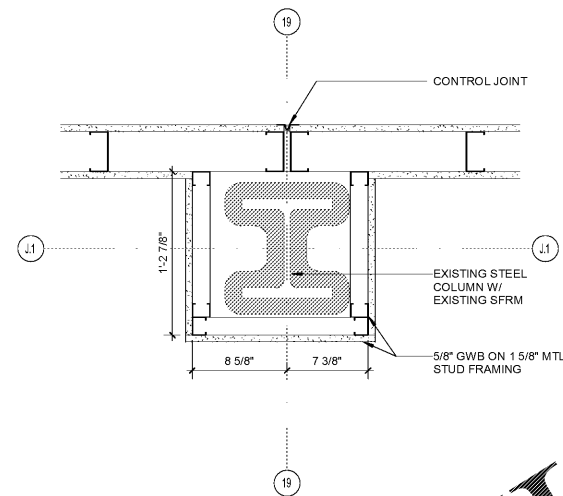


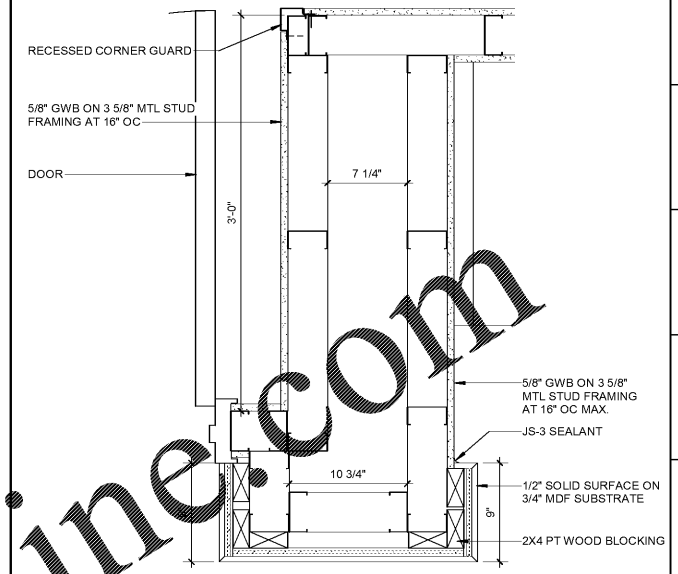
F1 MEZZANINE AT CMU WALL
1 1/2" = 1'-0"



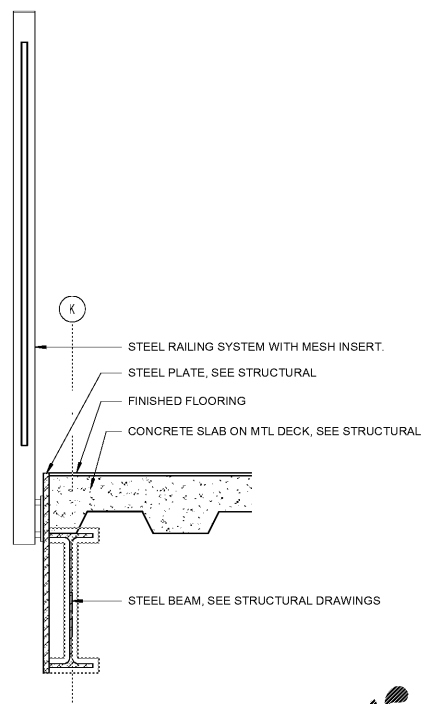
F3 CORRIDOR WEST CORNER
1 1/2" = 1'-0"



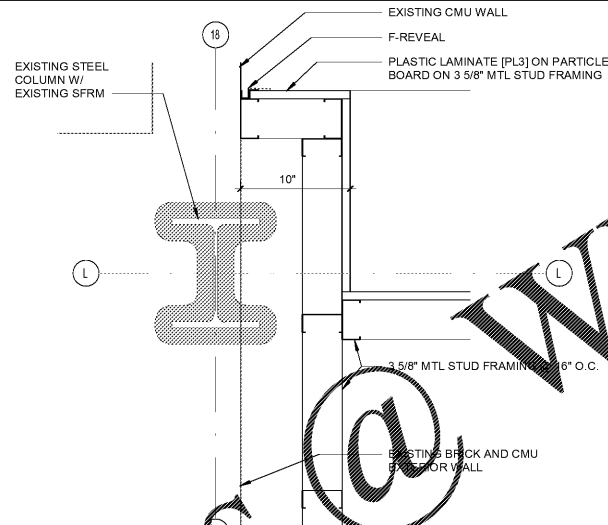
F5 CORRIDOR COLUMN DETAIL
1 1/2" = 1'-0"



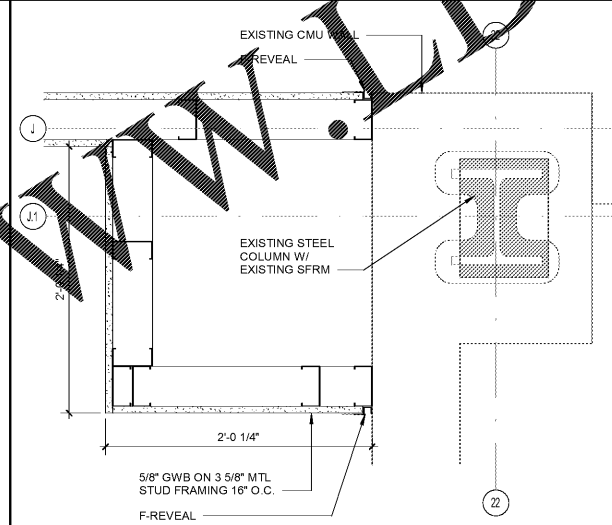
F7 CORRIDOR ENTRY DOOR TO PORTAL DETAIL ALTERNATE
1 1/2" = 1'-0"



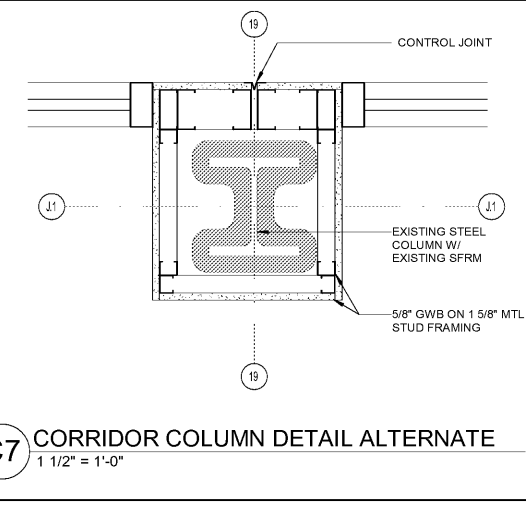
B1 MEZZANINE EDGE
1 1/2" = 1'-0"



C3 COLUMN TO (ALTERNATE) CUBBIE DETAIL
1 1/2" = 1'-0"

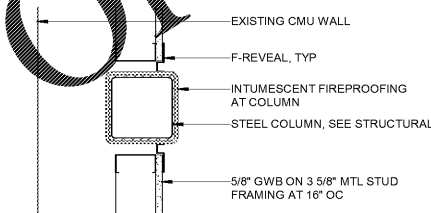


C5 HVAC SHAFT DETAIL
1 1/2" = 1'-0"

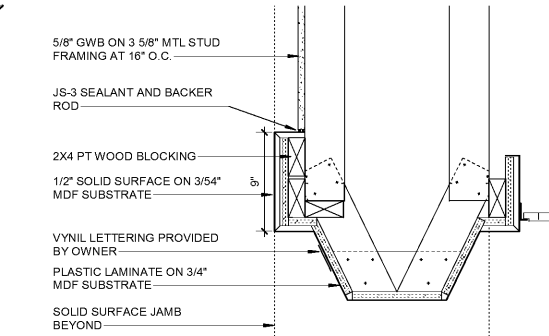


C7 CORRIDOR COLUMN DETAIL ALTERNATE
1 1/2" = 1'-0"

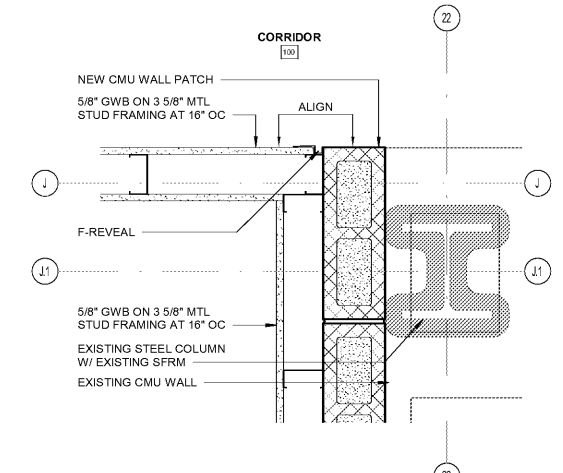
Order Plans @ www.LDILine.com



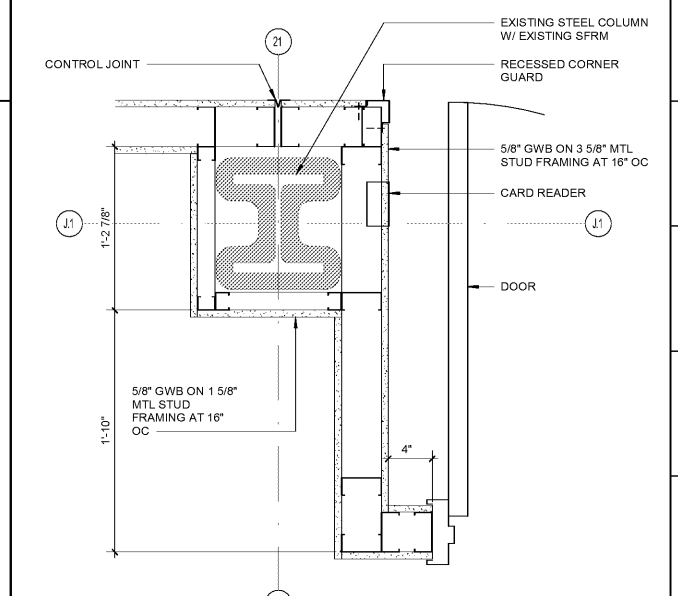
A1 F-TRIM AT STAIR COLUMN
1 1/2" = 1'-0"



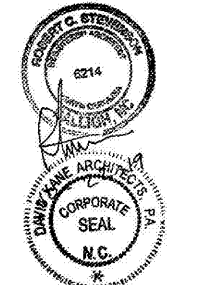
A3 PORTAL HEADER ALTERNATE
1 1/2" = 1'-0"



A5 CORRIDOR EAST CORNER
1 1/2" = 1'-0"



A7 CORRIDOR COLUMN TO DOOR DETAIL
1 1/2" = 1'-0"



NO.	DATE	DESCRIPTION

These drawings are the property of Davis Kone Architects, P.A. They may not be used for any purpose without written permission. Copyright © 2019 by Davis Kone Architects, P.A. All rights reserved.

PA: RS
PM: SB
Drawn By: JW
Plot Date: 10/23/2019 4:09:48 PM