

CONTINUED FROM T-3.3

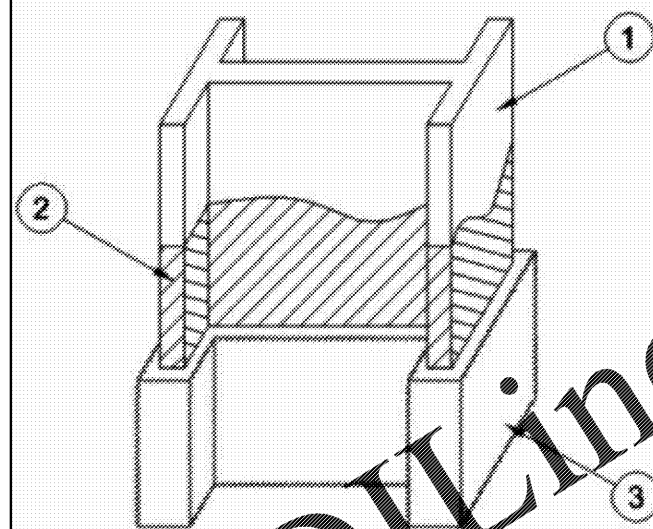
Table with 7 columns of numerical data, likely representing material properties or dimensions for Design No. N640.

Main table for Design No. N640 with columns for Beam, W/D, 1 Hr., 1-1/2 Hr., 2 Hr., 3-1/2 Hr., 4 Hr., 5-1/2 Hr., and 4 Hr. IN.

September 16, 2019

Ratings - 1, 1-1/2, 2, 2-1/2, 3, 3-1/2, 4, 4-1/2, 5 and 5-1/2 Hr. (See Item 3)

* Indicates such products shall bear the UL or cUL Certification Mark for jurisdictions employing the UL or cUL Certification (such as Canada), respectively.



- 1. Steel Column - Wide flange steel columns...
2. Primer Coating - Epoxy primer...
3. Mastic Coating - Coating spray...
4. Top Coat - Solvent Based 2 pack...

Table with columns for Rating Period (hrs) and Required Thickness (in.) for various beam sizes.

HILTI CONSTRUCTION CHEMICALS, DIV OF HILTI INC - Fire Finish 120+ CFP-SP WB...
HILTI CONSTRUCTION CHEMICALS, DIV OF HILTI INC - Fire Finish 120+ CFP-SP WB...

* Indicates such products shall bear the UL or cUL Certification Mark for jurisdictions employing the UL or cUL Certification (such as Canada), respectively.

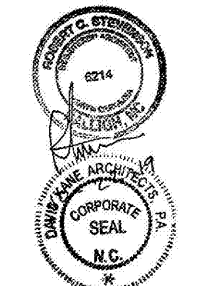
Main table for Design No. V633 with columns for Beam, W/D, 1 Hr., 1-1/2 Hr., 2 Hr., 3-1/2 Hr., 4 Hr., 5-1/2 Hr., and 4 Hr. IN.

CONTINUED ON T-3.5

PROJECT INFORMATION

UNCG ATHLETICS COLEMAN BUILDING WEIGHT ROOM
SCO ID No. 19-20597-01A | Code: 41825 Item: 304
1408 Walker Ave., Greensboro, NC 27402

SEALS



DKA JOB NUMBER

1915

REVISIONS

Table for tracking revisions with columns for description and date.

These drawings are the property of Davis Kone Architects, P.A. They may not be used for any purpose without written permission.
Copyright © 2019 by Davis Kone Architects, P.A. All rights reserved.

BID DOCUMENTS

10/22/19

SHEET TITLE

UL DETAILS