



850 W. MORGAN STREET  
RALEIGH, NORTH CAROLINA 27603  
919-832-6303  
919-832-3339 FAX



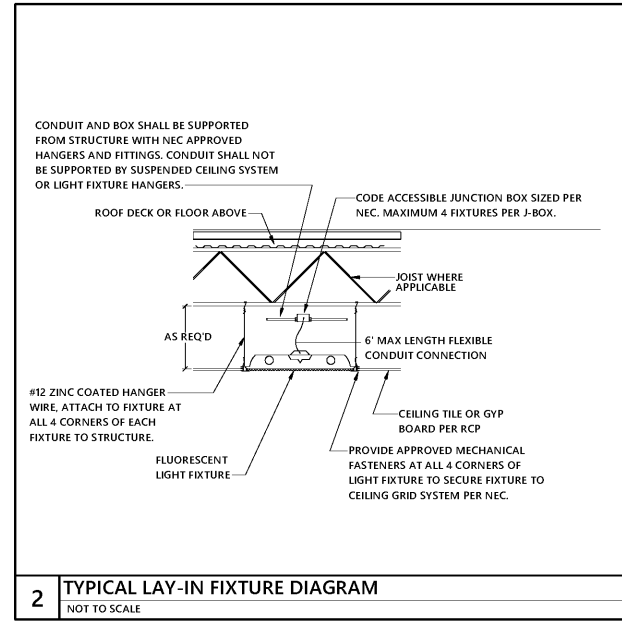
150 Fayetteville St., Suite 530, Raleigh, NC 27601  
1927 South Lyon St., Suite 300, Charlotte, NC 28203  
Phone 919-212-2200 • www.optimaengineering.com  
North Carolina License Number: C-0914

PERMIT/BID SET

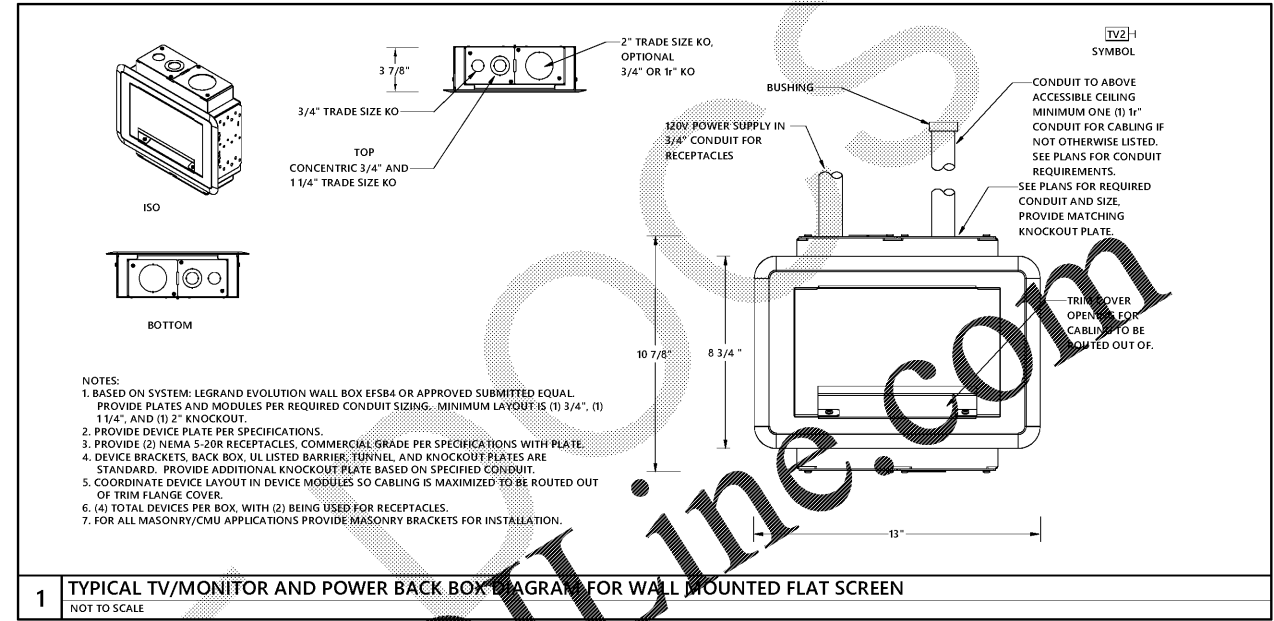


SEAL: 11/19/2019

Union Station Mezzanine Office Fit Up  
City of Raleigh Transit Division  
510 W Martin St, Raleigh, NC 27601



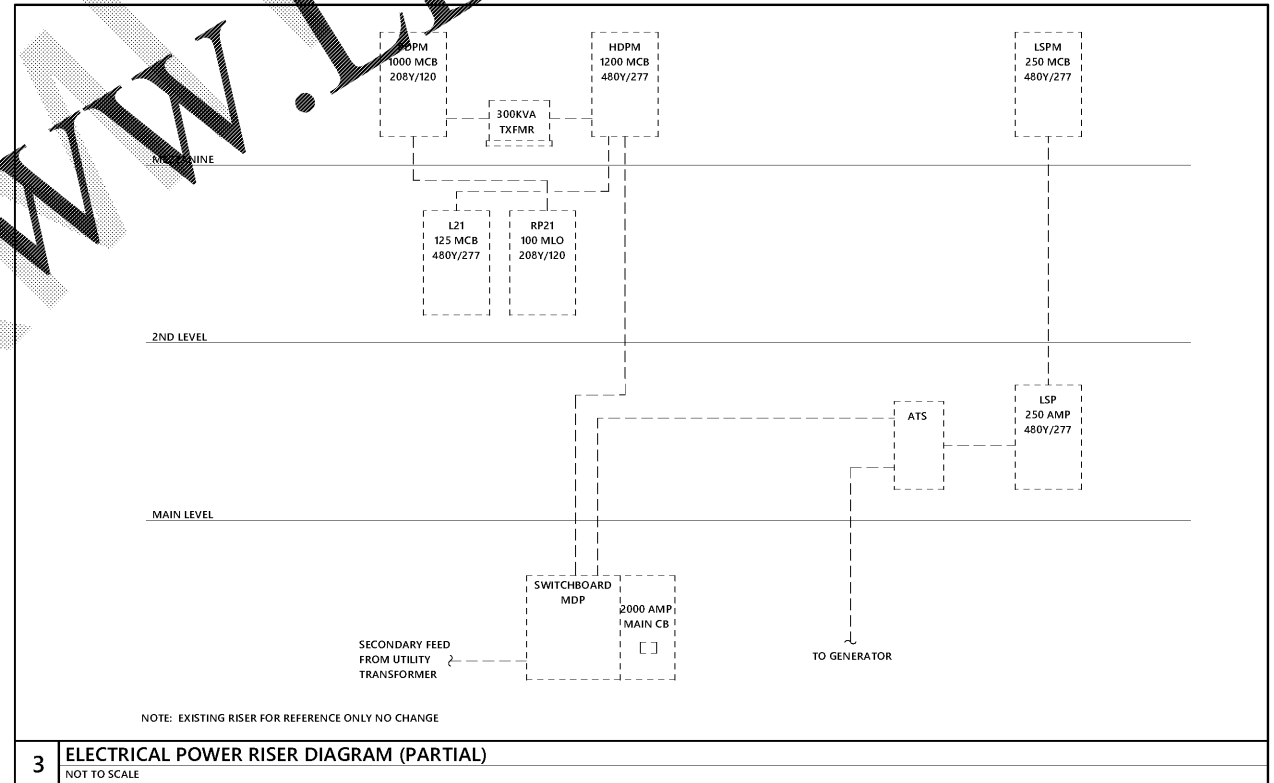
2 TYPICAL LAY-IN FIXTURE DIAGRAM  
NOT TO SCALE



- NOTES:
- 1. BASED ON SYSTEM: LEGRAND EVOLUTION WALL BOX EFS84 OR APPROVED SUBMITTED EQUAL. PROVIDE PLATES AND MODULES PER REQUIRED CONDUIT SIZING. MINIMUM LAYOUT IS (1) 3/4", (1) 1 1/4", AND (1) 2" KNOCKOUT.
  - 2. PROVIDE DEVICE PLATE PER SPECIFICATIONS.
  - 3. PROVIDE (2) NEMA 5-20R RECEPTACLES, COMMERCIAL GRADE PER SPECIFICATIONS WITH PLATE.
  - 4. DEVICE BRACKETS, BACK BOX, UL LISTED BARRIER, TUNNEL AND KNOCKOUT PLATES ARE STANDARD. PROVIDE ADDITIONAL KNOCKOUT PLATE BASED ON SPECIFIED CONDUIT.
  - 5. COORDINATE DEVICE LAYOUT IN DEVICE MODULES SO CABLING IS MAXIMIZED TO BE ROUTED OUT OF TRIM FLANGE COVER.
  - 6. (4) TOTAL DEVICES PER BOX, WITH (2) BEING USED FOR RECEPTACLES.
  - 7. FOR ALL MASONRY/CMU APPLICATIONS PROVIDE MASONRY BRACKETS FOR INSTALLATION.

1 TYPICAL TV/MONITOR AND POWER BACK BOX DIAGRAM FOR WALL MOUNTED FLAT SCREEN  
NOT TO SCALE

MDP CONNECTED LOADS	
PEAK DEMAND	242.4 KVA
+25% PEAK DEMAND	60.6 KVA
NEW RECEPTS	17.3 KVA
NEW LIGHTS	4.0 KVA
+25% LIGHTS	1.0 KVA
NEW EWH	3.0 KVA
+25% EWH	0.8 KVA
FAN POWERED BOXES	1.6 KVA
OFFICE EQUIPMENT	7.3 KVA
<b>406.6 AMPS @ 480V/3Ø</b>	<b>TOTAL 338.0 KVA</b>
ON EXISTING 2000A MCB	



3 ELECTRICAL POWER RISER DIAGRAM (PARTIAL)  
NOT TO SCALE

Order Plans @

BID / PLAN

1 PERMIT/BID SET 11/08/19

NO. SUBMISSION DATE

CHECKED BY: MKG

DRAWN BY: RDH

PROJECT NUMBER: 1908

SHEET NAME: ELECTRICAL DETAILS

SHEET NUMBER: E502



Optima # 19-0327

C:\Users\wbrooke\Documents\19-0327\_Union Station\_A\_MEP\_V19\_drawing\Fig 7.rvt