

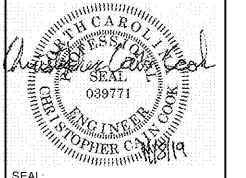
INNOVATIVE DESIGN

850 W. MORGAN STREET
RALEIGH, NORTH CAROLINA 27603
919-832-6303
919-832-3339 FAX



150 Fayetteville St., Suite 520, Raleigh, NC 27601
1927 South Tryon St., Suite 300, Charlotte, NC 28203
Phone: 919-826-2200 - www.optimaengineering.com
North Carolina License Number: C-0914

PERMIT/BID SET

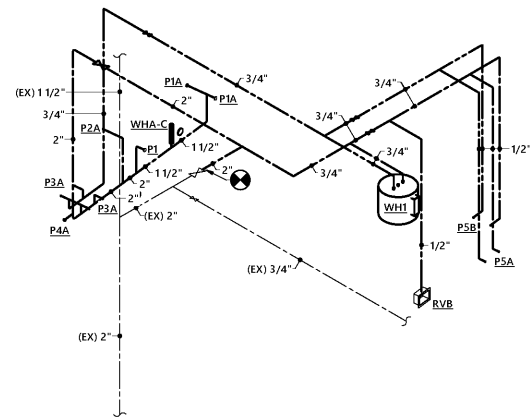


SEAL:

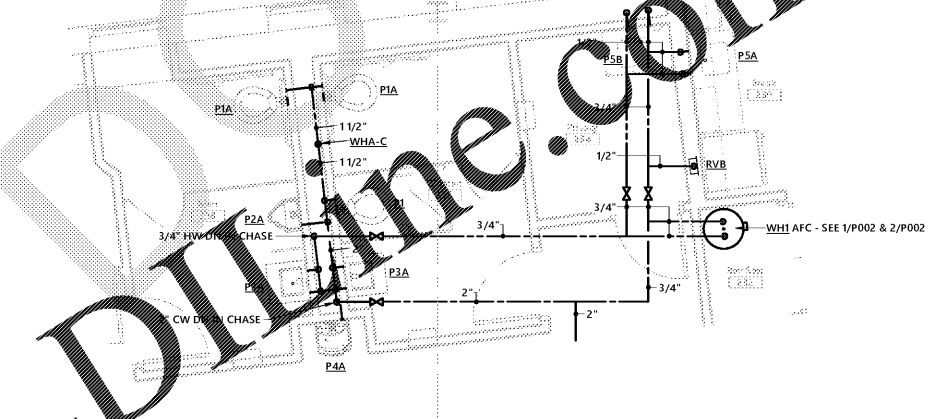
Union Station Mezzanine Office Fit Up

City of Raleigh Transit Division

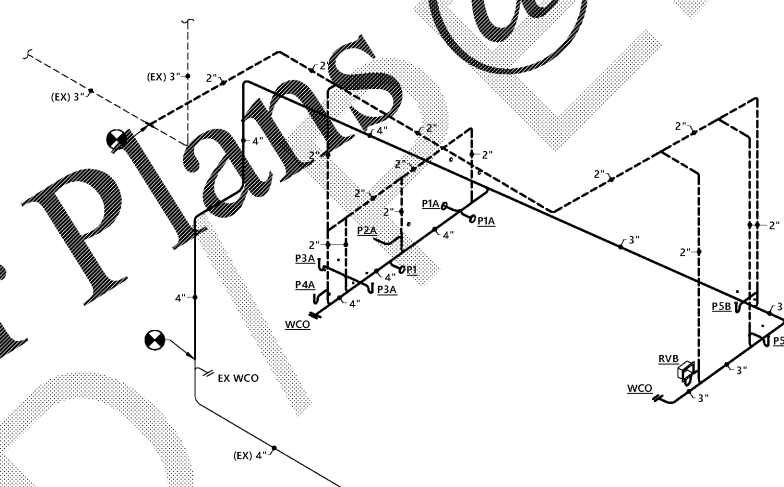
510 W Martin St, Raleigh, NC 27601



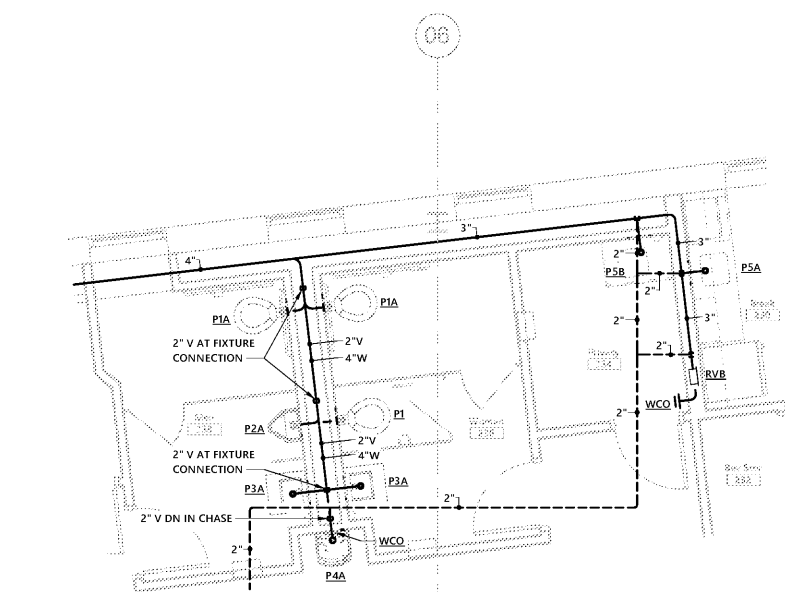
3 PLUMBING RISER DIAGRAM - WATER SUPPLY
NOT TO SCALE



1 ENLARGED PLUMBING PLAN - WATER SUPPLY
1/4" = 1'-0"
0 2' 4' 8'



4 PLUMBING RISER DIAGRAM - WASTE & VENT
NOT TO SCALE



2 ENLARGED PLUMBING PLAN - WASTE AND VENT
1/4" = 1'-0"
0 2' 4' 8'

ALL WASTE PIPING SHOWN IS TO BE ABOVE THE SECOND FLOOR LEVEL

BUY AMERICA PROGRAM REQUIREMENTS
ALL PRODUCTS PROVIDED ON THIS PROJECT MUST BE MANUFACTURED IN COMPLIANCE WITH THE BUY AMERICA PROGRAM FOR FEDERALLY FUNDED TRANSPORTATION PROJECTS PER CODE OF FEDERAL REGULATIONS 49 DFR 661. THESE REQUIREMENTS ARE DISTINCT AND DIFFERENT FROM THOSE OF THE BUY AMERICAN ACT OF 1933.

1	PERMIT/BID SET	11/08/19
NO.	SUBMISSION	DATE
CHECKED BY:		JWM
DRAWN BY:		CCC
PROJECT NUMBER:		1908

SHEET NAME:
PLUMBING ENLARGED PLANS & RISER DIAGRAMS

SHEET NUMBER:
P201