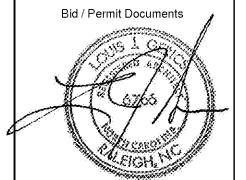


BUY AMERICAN PROGRAM REQUIREMENTS
 ALL PRODUCTS PROVIDED ON THIS PROJECT MUST BE MANUFACTURED IN COMPLIANCE WITH THE BUY AMERICAN PROGRAM FOR FEDERALLY FUNDED TRANSPORTATION PROJECTS PER CODE OF FEDERAL REGULATIONS 49 CFR 661. THESE REQUIREMENTS ARE DISTINCT AND DIFFERENT FROM THOSE OF THE BUY AMERICAN ACT OF 1933.

INNOVATIVE DESIGN
 850 W. MORGAN STREET
 RALEIGH, NORTH CAROLINA 27603
 919-832-6303
 919-832-3339 FAX

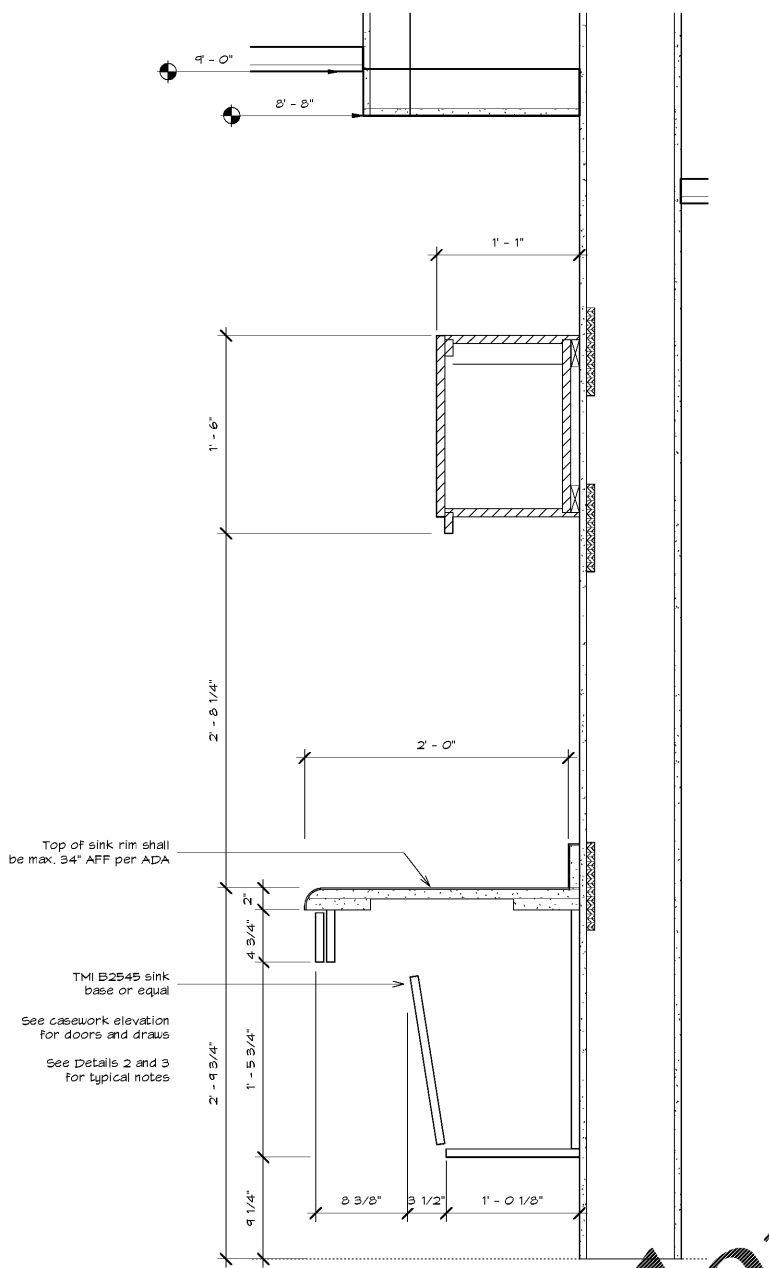


SEAL: 11/8/2019

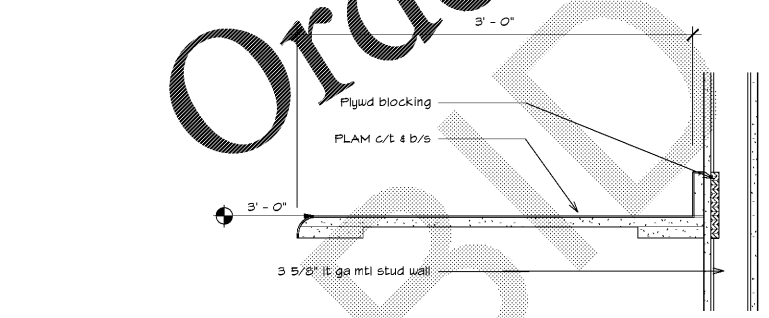
Union Station Mezzanine Office Fit Up
 City of Raleigh Transit Division
 510 W Martin St, Raleigh, NC 27601

10		
9		
8		
7		
6		
5		
4		
3	Bid / Permit Set	11/8/19
2	CD	10/31/19
1	SD	9/25/19
NO.	SUBMISSION	DATE

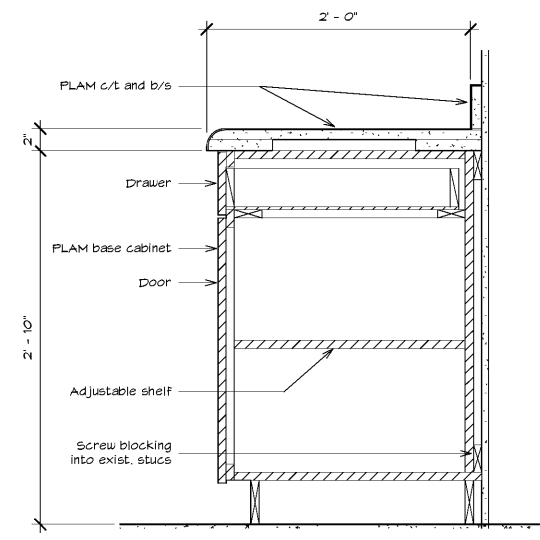
CHECKED BY: **Checker**
 DRAWN BY: **Author**
 PROJECT NUMBER: **1908**
 SHEET NAME:
CASEWORK DETAILS
 SHEET NUMBER:
A531



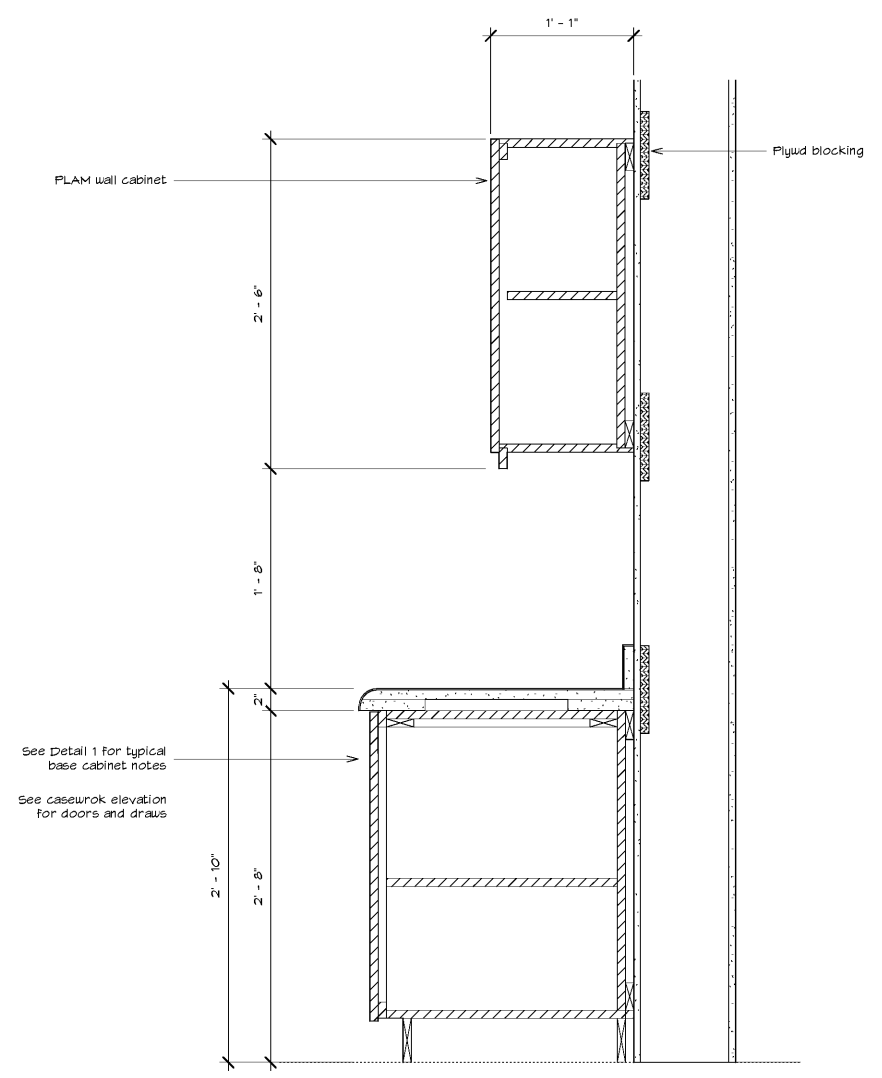
④ Detail - Accessible Sink Base
 1 1/2" = 1'-0"



① Detail - Countertop at Flat Files
 1 1/2" = 1'-0"



② Detail - Typ. Base Cabinet
 1 1/2" = 1'-0"



③ Detail - Typical Accessible Casework
 1 1/2" = 1'-0"

Order Plans @ WWW.LDILine.com