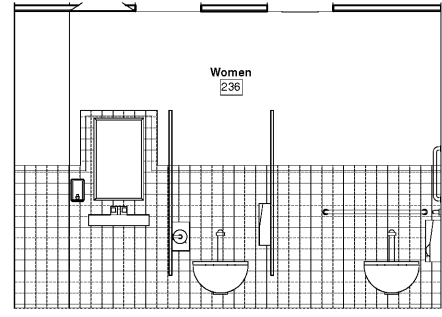
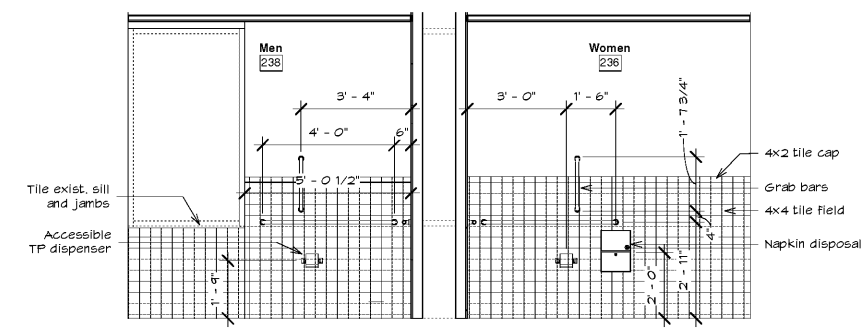


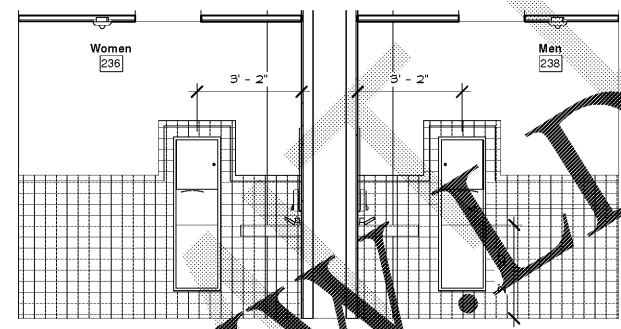
3 Elevation - Mens Room 1
 3/8" = 1'-0"



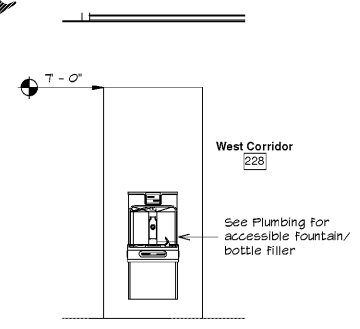
5 Elevation - Women
 3/8" = 1'-0"



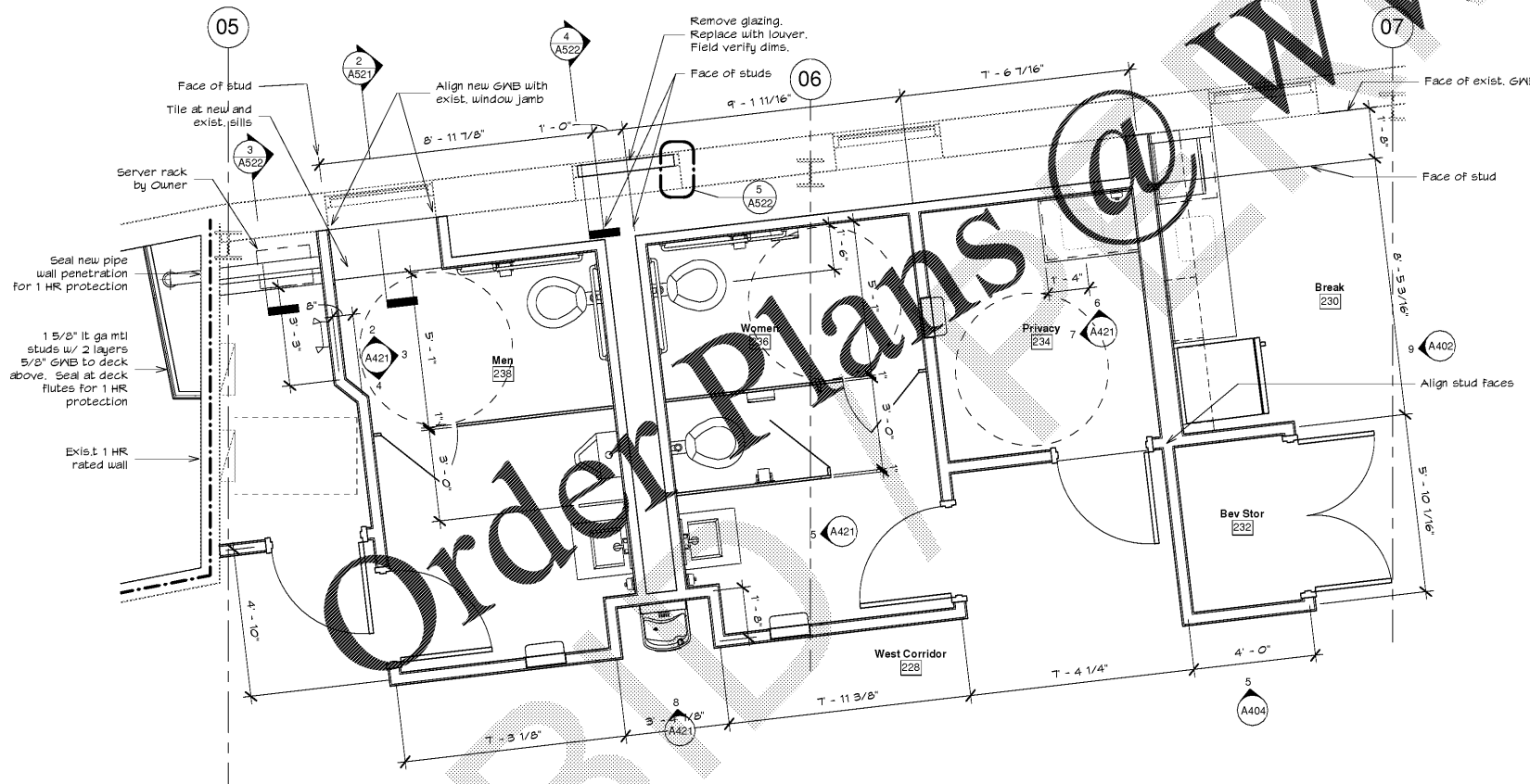
2 Elevation - Toilet Accessories 1
 3/8" = 1'-0"



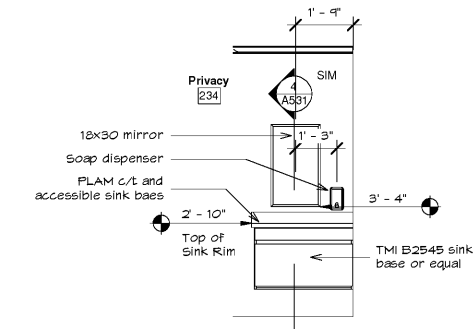
4 Elevation - Toilet Accessories 2
 3/8" = 1'-0"



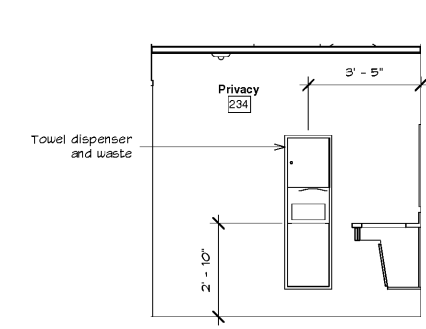
8 Elevation - Fountain
 3/8" = 1'-0"



1 FLOOR PLAN - ENLARGED TOILET PLAN
 3/8" = 1'-0"

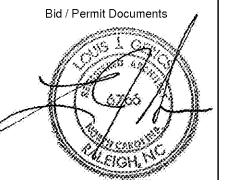


6 Elevation - Privacy Casework
 3/8" = 1'-0"



7 Elevation - Privacy Towel Dispenser
 3/8" = 1'-0"

BUY AMERICAN PROGRAM REQUIREMENTS
 ALL PRODUCTS PROVIDED ON THIS PROJECT MUST BE MANUFACTURED IN COMPLIANCE WITH THE BUY AMERICAN PROGRAM FOR FEDERALLY FUNDED TRANSPORTATION PROJECTS PER CODE OF FEDERAL REGULATIONS 49 CFR 661. THESE REQUIREMENTS ARE DISTINCT AND DIFFERENT FROM THOSE OF THE BUY AMERICAN ACT OF 1933.



SEAL: 11/8/2019

Union Station Mezzanine Office Fit Up
 City of Raleigh Transit Division
 510 W Martin St, Raleigh, NC 27601

10		
9		
8		
7		
6		
5		
4		
3	Bid / Permit Set	11/8/19
2	CD	10/31/19
1	SD	9/25/19
NO.	SUBMISSION	DATE

CHECKED BY: MN

DRAWN BY: LG

PROJECT NUMBER: 1908

SHEET NAME: ENLARGED TOILET PLANS & INTERIOR ELEVATIONS

SHEET NUMBER: A421