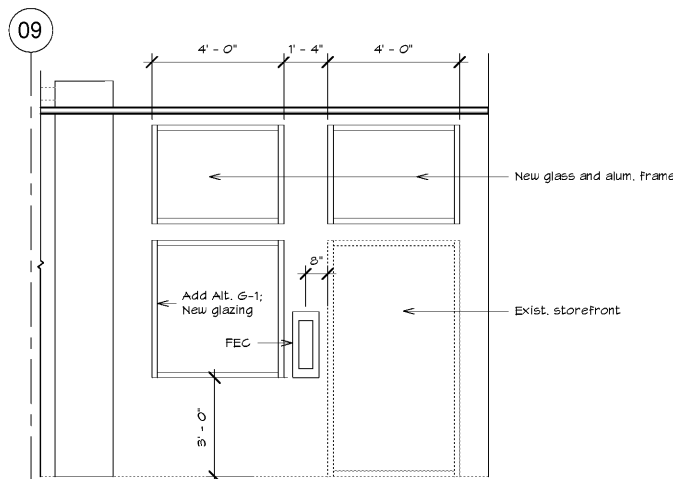
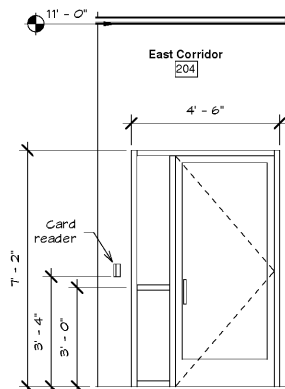


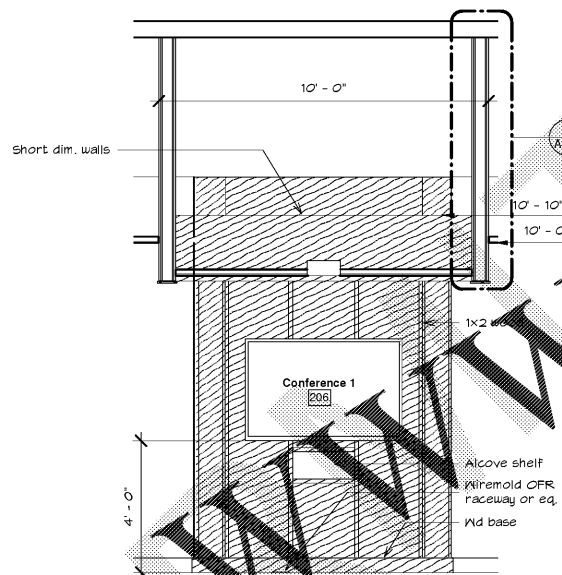
3 Elevation - Private Office Entries
3/8" = 1'-0"



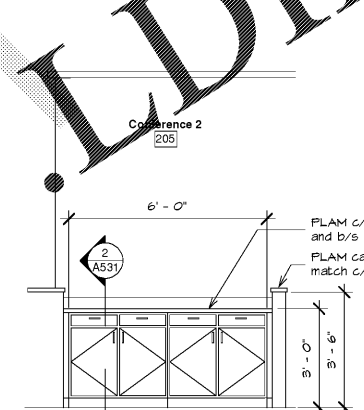
2 Elevation - South Wall West
3/8" = 1'-0"



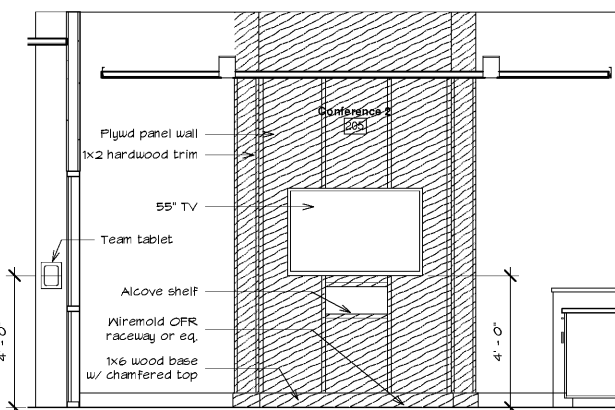
4 Elevation - Door 210
3/8" = 1'-0"



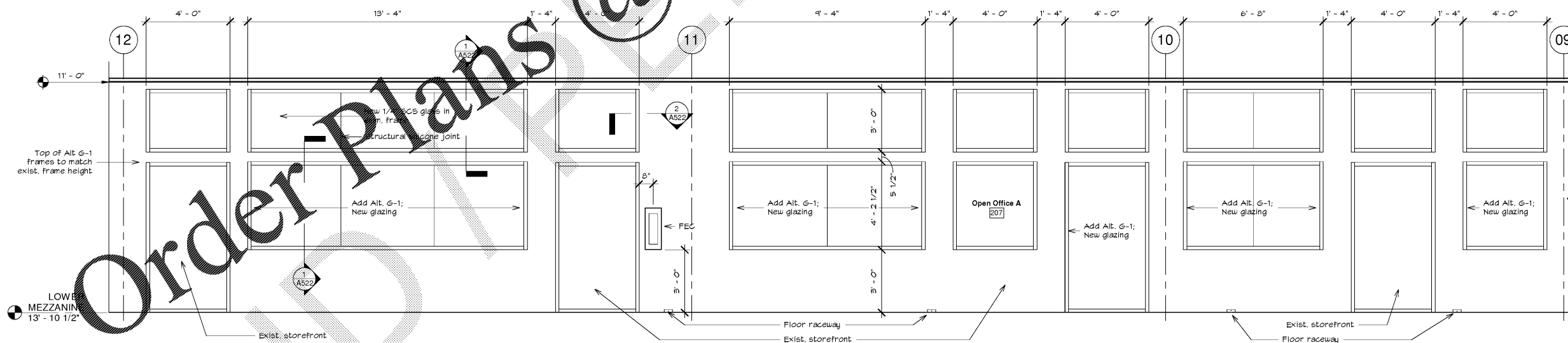
5 Elevation - Conference Room 1 TV Wall
3/8" = 1'-0"



7 Elevation - Conference Room 2 Casework
3/8" = 1'-0"



6 Elevation - Conference Room 2 TV Wall
3/8" = 1'-0"



1 Elevation - South Wall East
3/8" = 1'-0"

BUY AMERICAN PROGRAM REQUIREMENTS
 ALL PRODUCTS PROVIDED ON THIS PROJECT MUST BE MANUFACTURED IN COMPLIANCE WITH THE BUY AMERICAN PROGRAM FOR FEDERALLY FUNDED TRANSPORTATION PROJECTS PER CODE OF FEDERAL REGULATIONS 49 CFR 661. THESE REQUIREMENTS ARE DISTINCT AND DIFFERENT FROM THOSE OF THE BUY AMERICAN ACT OF 1933.

INNOVATIVE DESIGN
 850 W. MORGAN STREET
 RALEIGH, NORTH CAROLINA 27603
 919-832-6303
 919-832-3339 FAX

East Corridor
 Bid / Permit Documents

SEAL: 11/8/2019

Union Station Mezzanine Office Fit Up
 City of Raleigh Transit Division
 510 W Martin St, Raleigh, NC 27601

10		
9		
8		
7		
6		
5		
4		
3	Bid / Permit Set	11/8/19
2	CD	10/31/19
1	SD	9/25/19
NO.	SUBMISSION	DATE

CHECKED BY: Checker
 DRAWN BY: Author
 PROJECT NUMBER: 1908

SHEET NAME: INTERIOR ELEVATIONS
 SHEET NUMBER: A403

COPYRIGHT Innovative Design 2019