

ELECTRICAL SYMBOLS LEGEND

(SYMBOLS APPLY ONLY WHEN USED ON DRAWINGS)

SYMBOL	DESCRIPTION
[Symbol]	FLUORESCENT FIXTURE
[Symbol]	FLUORESCENT FIXTURE, NIGHT LIGHT
[Symbol]	EMERGENCY FIXTURE
[Symbol]	SWITCH, SINGLE-POLE
[Symbol]	SWITCH, OCCUPANCY SENSOR
[Symbol]	RECEPTACLE, DUPLEX
[Symbol]	RECEPTACLE, SIMPLEX
[Symbol]	RECEPTACLE, DUPLEX I.G.
[Symbol]	RECEPTACLE, QUAD
[Symbol]	RECEPTACLE, SIMPLEX TWIST LOCK, ISOLATED GROUND, LS-15R, LNO
[Symbol]	JUNCTION BOX (WALL MOUNTED/CEILING MOUNTED)
[Symbol]	ALARM JUNCTION BOX (WALL MOUNTED/CEILING MOUNTED)
[Symbol]	NON-FUSED DISCONNECT
[Symbol]	CIRCUIT CONCEALED IN WALLS OR CEILING, E INDICATES EXISTING WIRING
[Symbol]	CIRCUIT CONCEALED IN SLAB FLOOR, E INDICATES EXISTING WIRING
[Symbol]	CIRCUIT EXPOSED, E INDICATES EXISTING WIRING
[Symbol]	TELEPHONE / DATA BOX FOR ISD
[Symbol]	MOTOR
[Symbol]	EQUIPMENT SCHEDULE CALLOUT

ABBREVIATIONS

CU	CONDENSING UNIT
EF	EXHAUST FAN
G	GROUND
GF	GROUND FAULT CIRCUIT INTERRUPTER
IG	ISOLATED GROUND
SC	SECURITY CAMERA
LH	LIGHT HEATER
WH	WATER HEATER
WP	WEATHER PROOF COVERPLATE
WR	WEATHER RESISTANT RECEPTACLE

PANEL A POWER INTEGRITY NEW

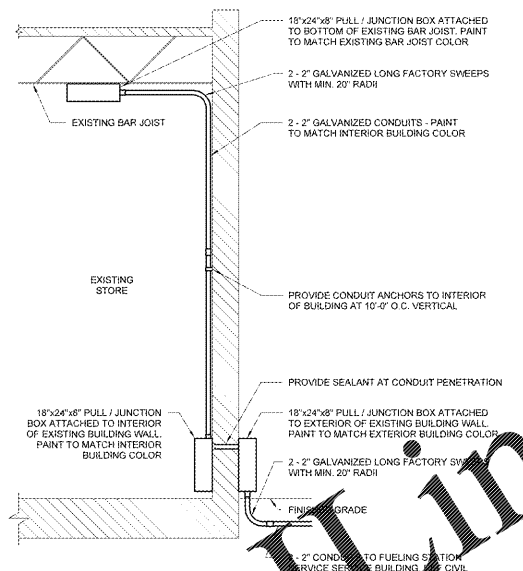
SERVES: FUELING STATION
LOCATION: PANEL FURNISHED BY POWER INTEGRITY

DESCRIPTION	WIRE SIZE	BRKR	PL	A	B	C	PL	BRKR	WIRE SIZE	DESCRIPTION	QTY	
1. STOP POWER (3.9)	15 A	1	0.09	0.76				2	20 A	DISPENSER #1 (3.S.N.E.S)	2	
3. LIGHT CONTROL POWER (9)	15 A	1			0.18	0.00				SPACE	6	
5. SPACE												
7. GAS SWITCH / LIU (1.9)	20 A	1	0.35	0.76					2	20 A	DISPENSER #2 (3.S.N.E.S)	8
9. DVR / CAMERA (1.9)	20 A	1			0.90	0.00						10
11. FIRE ALARM CTRL PANEL (1.9)	20 A	1								SPACE	12	
13. SITE MONITOR POWER (1)	20 A	1	0.18	0.76								14
15. SPACE					0.00	0.00						16
17. CANOPY LIGHTS (8.11)	20 A	1										18
19. CANOPY NIGHT LIGHTS (8.11)	20 A	1	0.35	0.76								20
21. CANOPY LIGHTS (8.11)	20 A	1			1.80	0.00						22
23. CANOPY LIGHTS (8.11)	20 A	1										24
25. CANOPY LIGHTS (8.11)	20 A	1	0.62	0.76								26
27. LIFT STATION POWER (2.0)	40 A	2			3.33	0.00			2	20 A	DISPENSER #5 (3.S.N.E.S)	28
29. SPACE												30
31. SPACE					0.00	0.76						32
33. BLDG INTERIOR LIGHTS (9)	20 A	1			0.99	0.00			2	20 A	DISPENSER #6 (3.S.N.E.S)	34
35. SPACE												36
37. STP #1 UNLEADED (2.8.E.S)	10	2	1.44	0.76					2	20 A	DISPENSER #7 (3.S.N.E.S)	40
39. SPACE					1.44	0.00						42
41. RECEPTACLES (9)	20 A	1										44
43. STP #2 SUPER UNL.D (2.6.E.S)	10	2	1.44	0.76					2	20 A	DISPENSER #8 (3.S.N.E.S)	48
45. SPACE					1.44	0.00						50
47. RECEPTACLES (9)	20 A	1							2	30 A	10	54
49. STP #3 DIESEL (2.8.E.S)	10	2	1.44	2.25					2	50 A	6	58
51. SPACE					1.44	3.75						62
53. HAND DRYER (2.8)	20 A	1							2	50 A	8	66
55. STP #4 UNLEADED (2.8.E.S)	10	2	1.44	0.00								70
57. SPACE					1.44	1.78			2	25 A	10	74
59. SPACE												78
TOTAL CONNECTED				15.69		18.25						N/A
TOTAL CONNECTED				130.65		152.27						AMPS
TOTAL LOAD				49.75		58.08						AMPS
PER NEC ARTICLE 220 FEEDER LOAD				51.67		60.42						AMPS

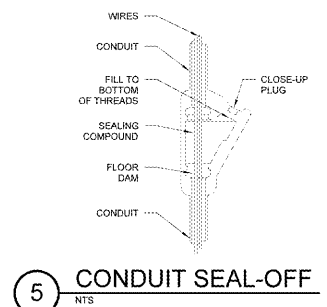
CONNECTED LOADS TABLE

LOAD CLASSIFICATION	LOAD (VA)
HEATING	
COOLING	8018 VA
LIGHTS	
CONTINUOUS	
NON-CONTINUOUS	31442 VA
KITCHEN	1970 VA
REFRIGERATION	12240 VA
TOTAL (Less the smaller of Heating or Cooling)	51869 VA

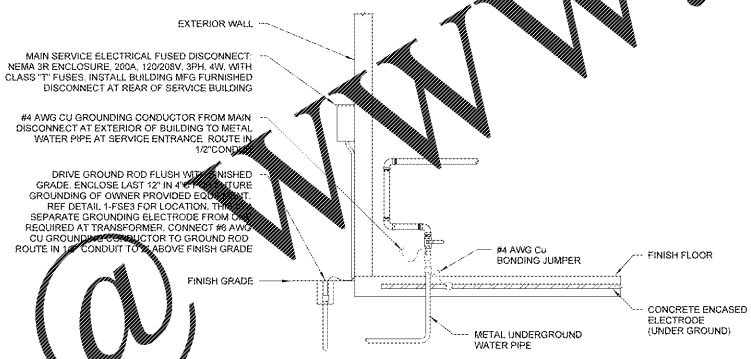
Notes:
1. FEEDER COMPANY SHALL APPLY PROPER DEMAND FACTORS TO CALCULATE ESTIMATED MAXIMUM DEMAND



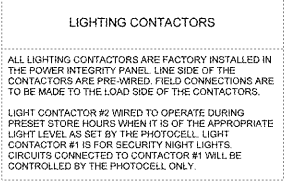
7 FIBER OPTIC STORE ENTRANCE DETAIL
3/8" = 1'-0"



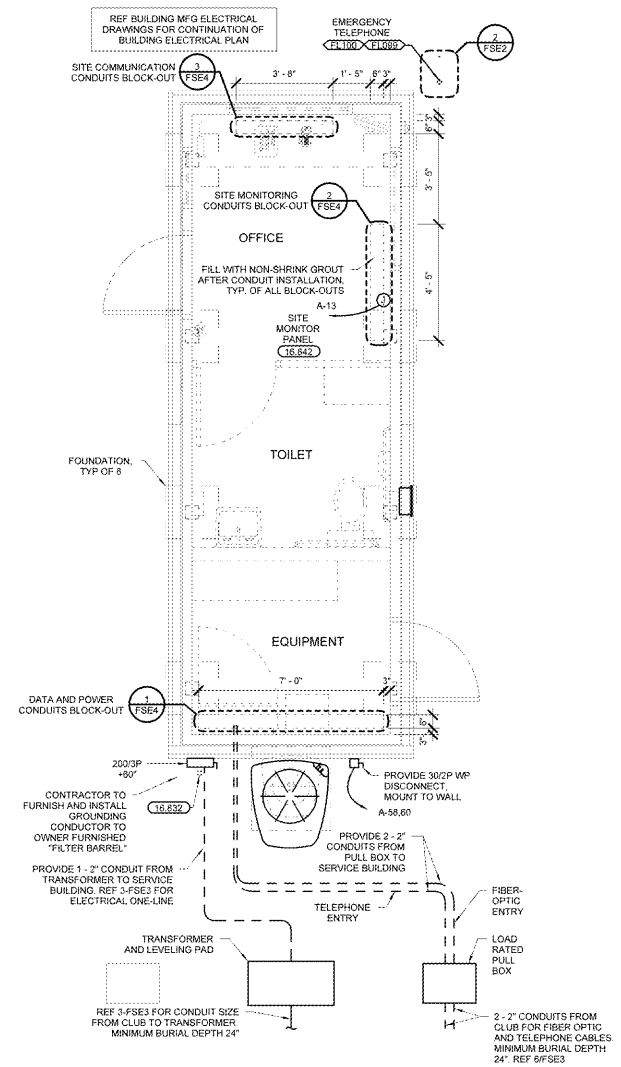
5 CONDUIT SEAL-OFF
NTS



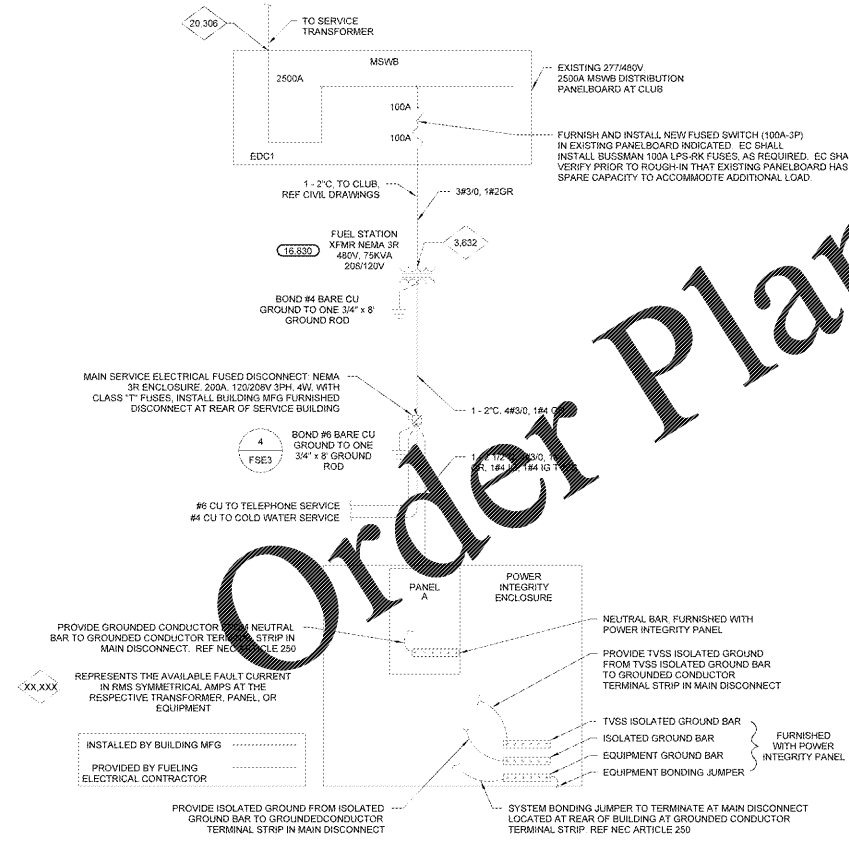
4 GROUNDING ELECTRODE SYSTEM
NTS



2 LIGHTING CONTACTORS SCHEMATIC
NTS



1 SERVICE BUILDING ELECTRICAL PLAN
3/8" = 1'-0"



3 ELECTRICAL ONE-LINE DIAGRAM
NTS

- ### PANELBOARD NOTES
- TERMINATE GROUND ON ISOLATED GROUND BUS
 - INSTALL LOCKING DEVICE FURNISHED WITH PANELBOARD (LOCK-OFF FOR MAINTENANCE)
 - INSTALL LOCKING DEVICE FURNISHED WITH PANELBOARD (LOCK-ON FOR CRITICAL LOAD)
 - GFI BREAKER FOR PERSONNEL PROTECTION (2 MA)
 - GFI BREAKER FOR EQUIPMENT PROTECTION (30 MA)
 - CONDUCTOR SIZE SHOWN IN PANEL SCHEDULE HAS BEEN INCREASED FOR VOLTAGE DROP. EQUIPMENT PROPORTIONALLY PER NEC. REFERENCE GROUND WIRE SIZING CHART.
 - REFER TO ONE-LINE DIAGRAM FOR AVAILABLE FAULT CURRENT FOR INTERRUPT RATINGS.
 - REFER TO ONE-LINE DIAGRAM FOR WIRE SIZES.
 - FACTORY WIRED TO LOAD
 - REFER TO SITE LIGHTING PLAN FOR WIRE SIZES.
 - THRU CONTACTOR
 - DESIGNATES A SWITCHED NEUTRAL CIRCUIT BREAKER
 - CIRCUIT IS DISCONNECTED BY EMERGENCY STOP
 - DESIGNATES "SMART" BREAKER

- ### KEYNOTES
- COORDINATE LOCATION OF TRANSFORMER WITH CIVIL DRAWINGS. COORDINATE METERING REQUIREMENTS WITH LOCAL UTILITY PROVIDER
 - GROUNDING CONDUCTOR TO FLUSH WITH FINISHED GRADE. ENCLOSE LAST 12" IN 4" DIA. PLASTIC ENCLOSURE. GROUNDING OF OWNER PROVIDED EQUIPMENT. THIS IS A SEPARATE GROUNDING ELECTRODE FROM THAT REQUIRED AT TRANSFORMER.
 - INSTALL GROUND MONITOR PANEL FURNISHED BY OWNER. DIRECT CONNECT. PROVIDE ISOLATED GROUNDING IN ADDITION TO EQUIPMENT GROUNDING CONDUCTOR PER MANUFACTURER'S RECOMMENDATION. ALL TERMINATIONS SHOULD BE INSTALLED PER RECOMMENDATION OF MANUFACTURER, REF 1-FSE3.

ETIPULATION FOR REUSE:
THIS DOCUMENT IS THE PROPERTY OF ANDERSON, SC. IT IS TO BE USED ONLY FOR THE PROJECT AND SITE SPECIFICALLY IDENTIFIED HEREIN. IT IS NOT TO BE REPRODUCED, COPIED, OR TRANSMITTED IN ANY FORM OR BY ANY MEANS, ELECTRONIC OR MECHANICAL, INCLUDING PHOTOCOPYING, RECORDING, OR BY ANY INFORMATION STORAGE AND RETRIEVAL SYSTEM, WITHOUT THE WRITTEN PERMISSION OF ANDERSON, SC.

CONSULTANTS
Matthew J. Nichols
REGISTERED PROFESSIONAL ELECTRICAL ENGINEER
STATE OF SOUTH CAROLINA
LICENSE NO. 10072
DATE OF EXPIRATION: 06/30/2024

ANDERSON, SC
Sams CLUB
CLUB#: 6463
JOB NUMBER: 24077 1 PHOTO 5848-102

ISSUE BLOCK
1 REV#1 09/26/19

CHECKED BY: SAG
DRAWN BY: JUN
FILE NAME: FSE3
PROTO CYCLE: 10/25/16
DOCUMENT DATE: 08/09/19

NOT FOR CONSTRUCTION

SERVICE BUILDING ONE-LINE AND SCHEDULES

SHEET: FSE3