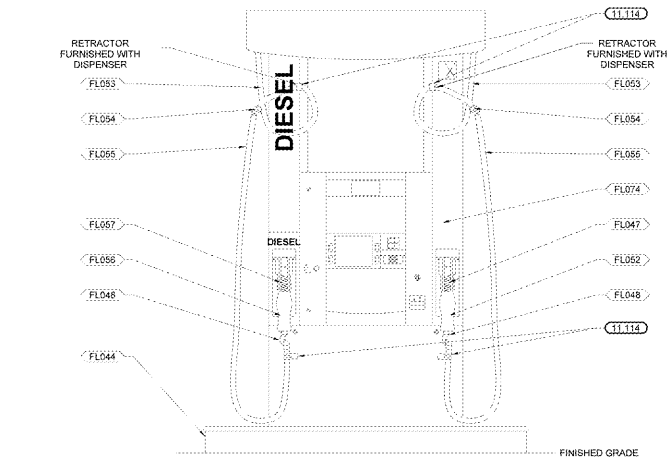
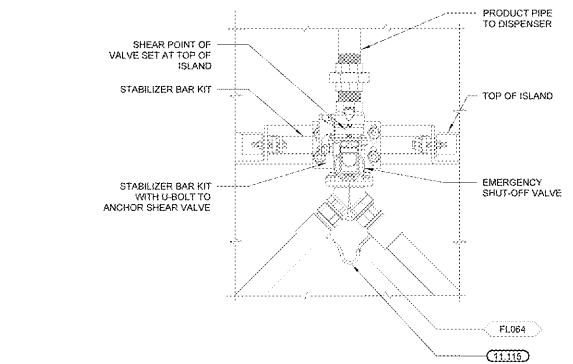


9 UNLEADED DISPENSER ELEVATION
NTS



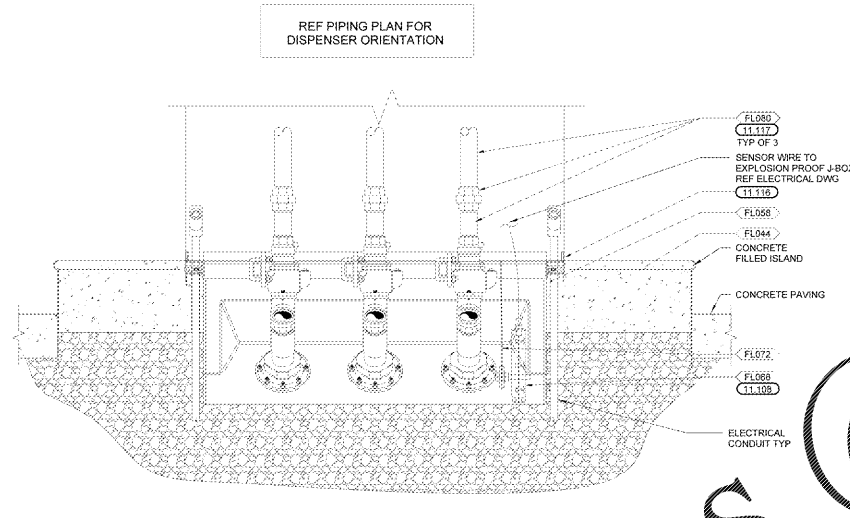
8 UNLEADED/DIESEL DISPENSER ELEVATION
NTS



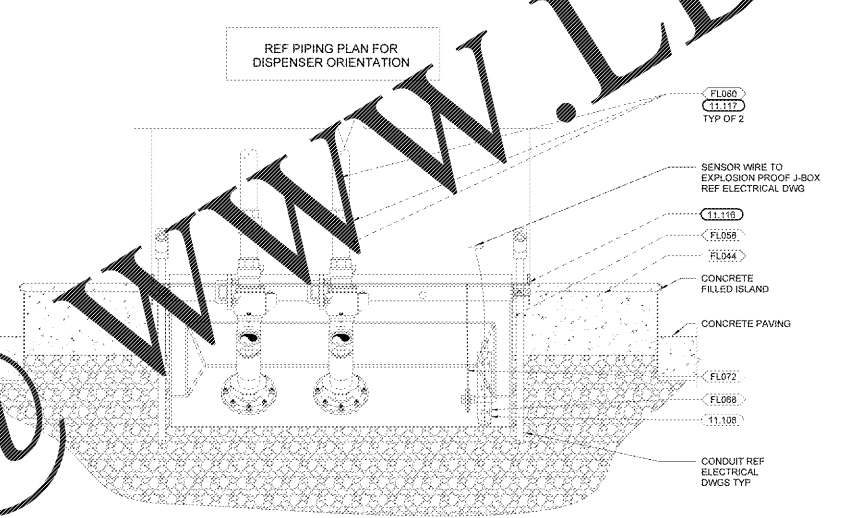
7 SHEAR VALVE PLACEMENT DETAIL
NTS

KEYNOTES

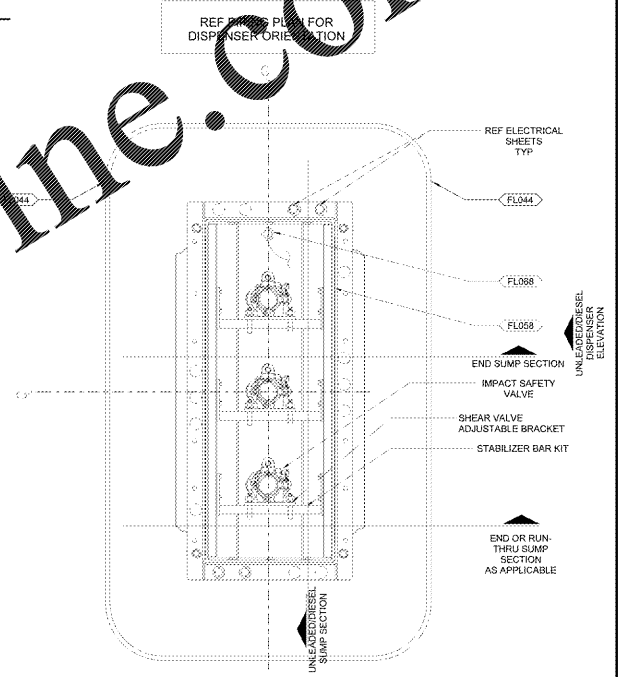
- 11.108 SLUMP SENSOR TO REST ON THE LOWEST POINT OF SLUMP ENCLOSURE. SECURE SENSOR USING MANUFACTURERS UNIVERSAL MOUNTING KIT.
- 11.114 INSTALL ALL WARNING DECALS FURNISHED FOR DISPENSER AND NOZZLES. INSTALL RETRACTORS SUPPLIED WITH DISPENSERS. ATTACH RETRACTORS TO HOSES WITH CONTRACTOR FURNISHED CNI MODEL 8103 CLAMPS.
- 11.115 REMOVE AIR CHUCK VALVE AFTER TESTING. REMOVE THE TEST TUBE AND LEAVE IN SLUMP AFTER COMPLETING TEST.
- 11.116 SEAL CONNECTION BETWEEN DISPENSER AND DISPENSER SLUMP WITH CALK OR IMPERVIOUS STRIPPING.
- 11.117 1 1/2" PRODUCT RISER PIPE TO DISPENSER.



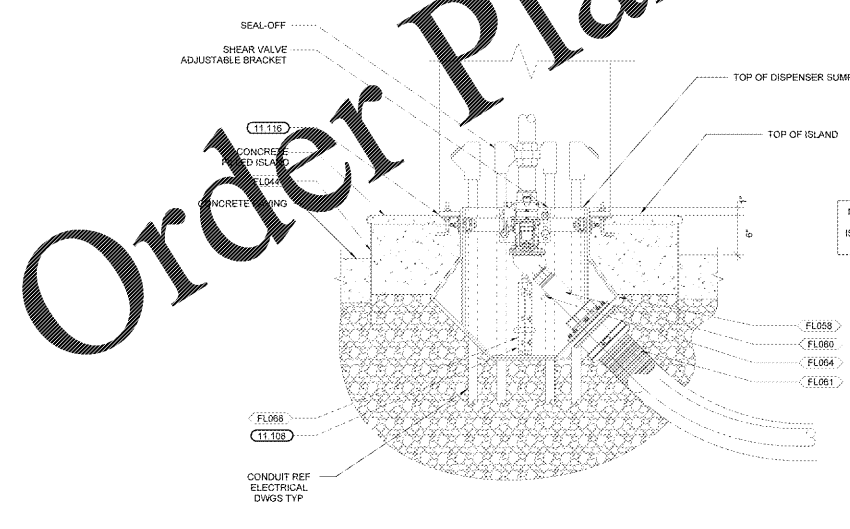
5 UNLEADED/DIESEL DISPENSER SUMP SECTION
NTS



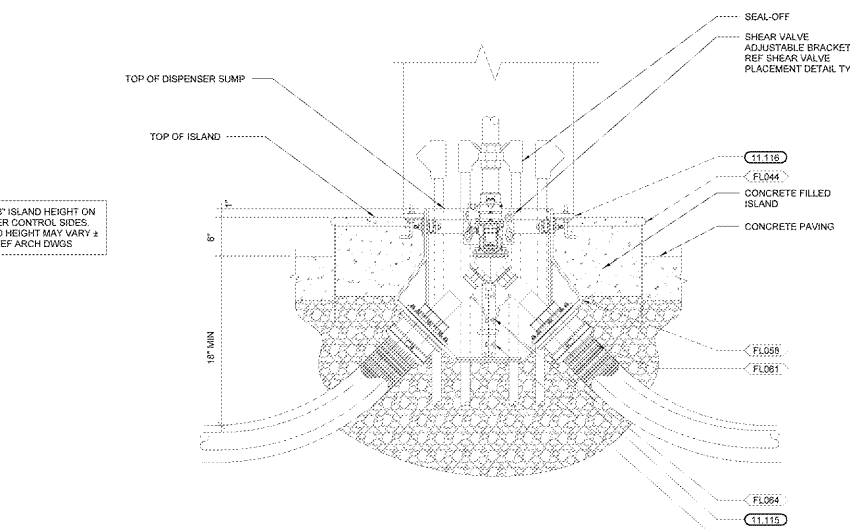
4 UNLEADED DISPENSER SUMP SECTION
NTS



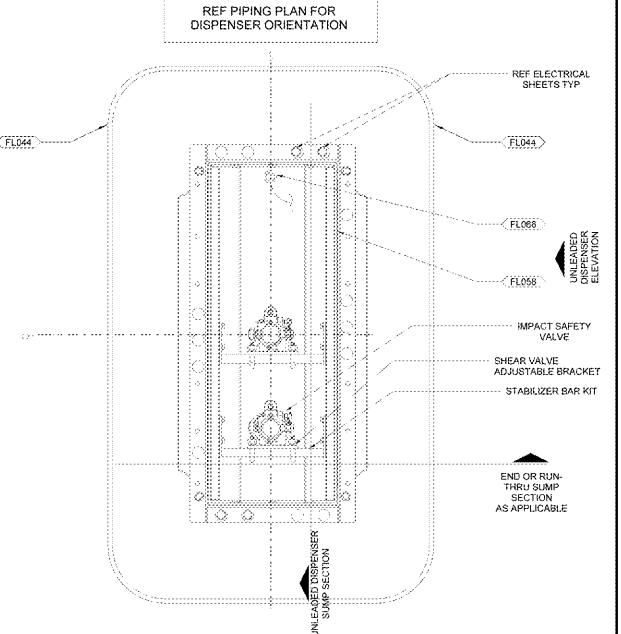
6 UNLEADED/DIESEL DISPENSER PIPING PLAN
NTS



3 END DISPENSER SUMP SECTION
NTS



2 RUN-THRU DISPENSER SUMP SECTION
NTS



1 UNLEADED DISPENSER PIPING PLAN
NTS

Order Plans @

WWW.LDILine.com

STIPULATION FOR RELEASE
THIS DOCUMENT IS THE PROPERTY OF ANDERSON, SC. IT IS TO BE USED ONLY FOR THE PROJECT AND SITE SPECIFICALLY IDENTIFIED HEREIN. IT IS NOT TO BE REPRODUCED, COPIED, OR TRANSMITTED IN ANY FORM OR BY ANY MEANS, ELECTRONIC OR MECHANICAL, INCLUDING PHOTOCOPYING, RECORDING, OR BY ANY INFORMATION STORAGE AND RETRIEVAL SYSTEM, WITHOUT THE WRITTEN PERMISSION OF ANDERSON, SC.

CONSULTANTS
David P. Kimball
Professional Engineer
No. 34746
South Carolina
10/14/2014
PROJECT NO. 14080001
SHEET NO. 14080001-01

ANDERSON, SC
Sams Club
CLUB#: 6463
JOB NUMBER: 14080001-01

ISSUE BLOCK

CHECKED BY: JMS
DRAWN BY: DAD
FILE NAME: FST4
PROTO CYCLE: 102516
DOCUMENT DATE: 08/08/19

NOT FOR CONSTRUCTION

DISPENSER AND SUMP DETAILS

SHEET: FST4