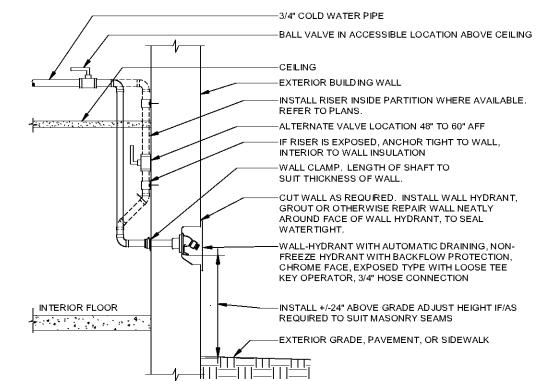
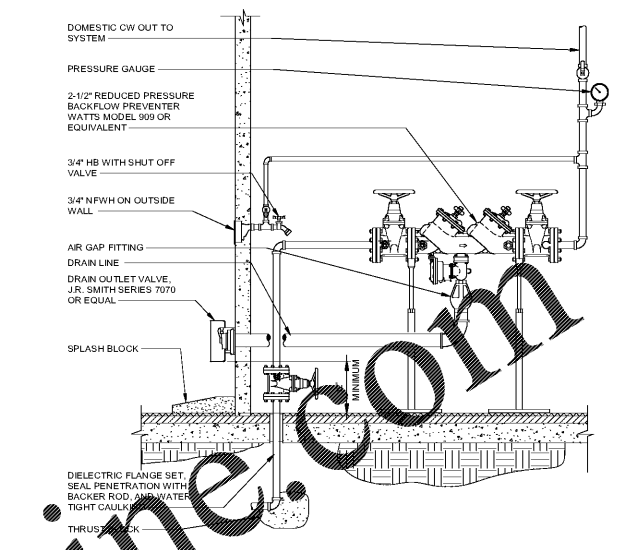


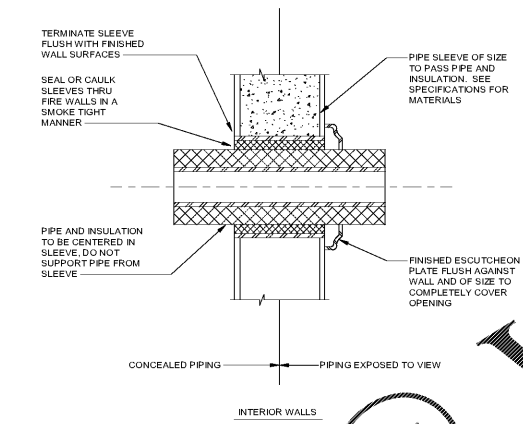
5 FLOOR CLEANOUT DETAIL
 P600 NO SCALE



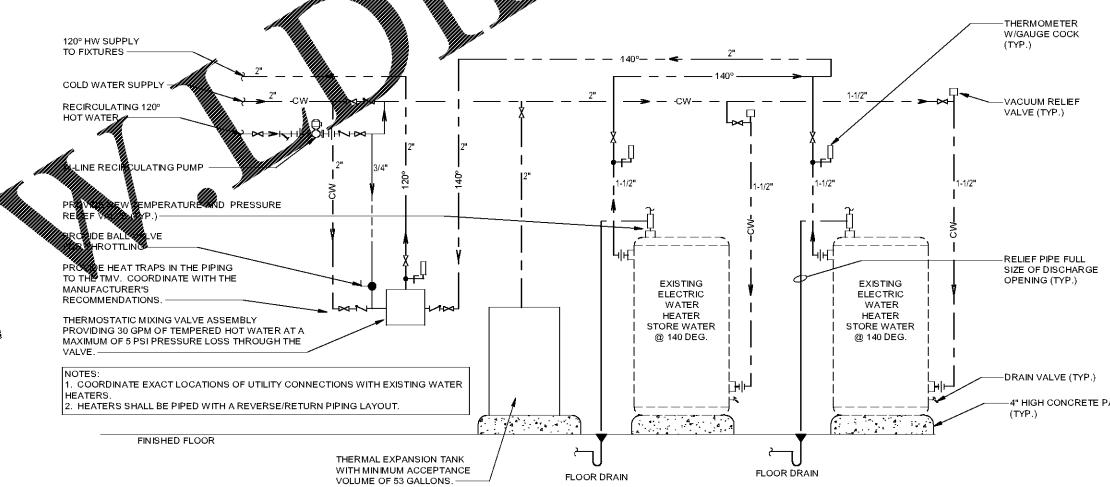
4 WALL HYDRANT DETAIL (WHERE APPLICABLE)
 P600 NO SCALE



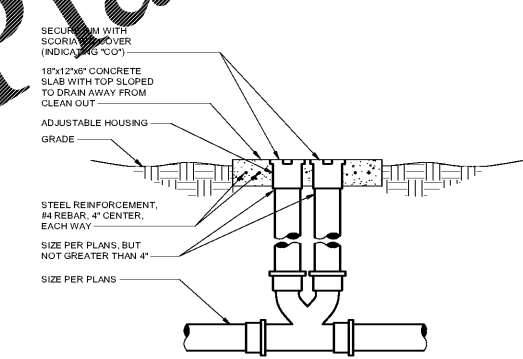
1 DOMESTIC WATER SERVICE ENTRY DETAIL
 P600 NO SCALE



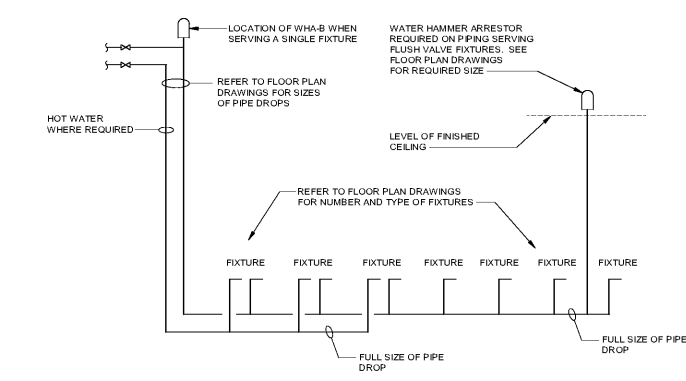
6 INSULATED PIPE THRU WALL DETAIL
 P600 NO SCALE



2 WATER HEATER DETAIL
 P600 NO SCALE



7 TWO WAY GRADE CLEANOUT DETAIL
 P600 1/8" = 1'-0"

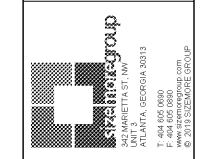


3 DETAIL OF TYPICAL WATER SUPPLY TO PLUMBING CHASE
 P600 NO SCALE

Order Plans @ WWW.WJDILINE.COM

No.	DESCRIPTION	DATE

CITY OF MONROE
PUBLIC SAFETY & MUNICIPAL
COURT COMPLEX RENOVATION
 140 BLAINE ST. MONROE, GA 30655



THIS DRAWING IS AN INSTRUMENT OF SERVICE AND SHALL REMAIN THE PROPERTY OF THE ARCHITECT. NO PART OF THIS DOCUMENT SHALL BE REPRODUCED OR TRANSMITTED IN ANY FORM, ELECTRONICALLY OR MECHANICALLY, FOR ANY PURPOSE, WITHOUT THE EXPRESS WRITTEN PERMISSION OF THE ARCHITECT.

PLUMBING DETAILS

PROJECT # **19160MONRpo**
 DATE: **Issue Date**
 DRAWN BY: **JAA**
 CHECKED BY: **DC**

P600

SCALE 1/8" = 1'-0"

