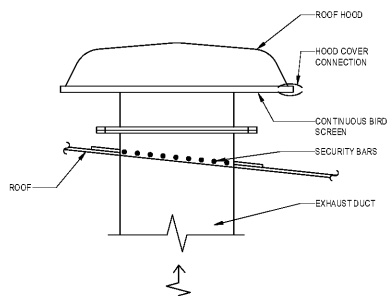
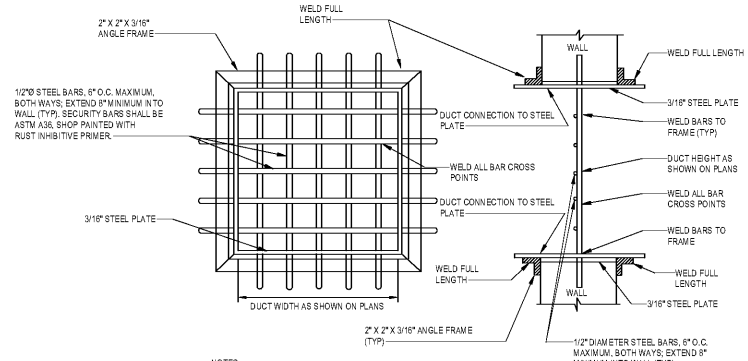


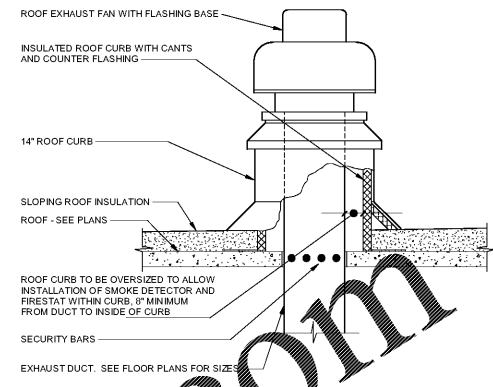
1 FAN POWERED INDUCTION BOX DETAIL
M601 NTS



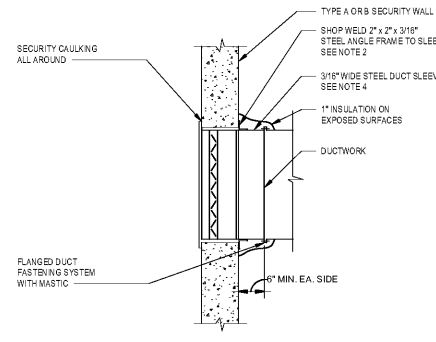
2 EXHAUST ROOF HOOD DETAIL
M601 NTS



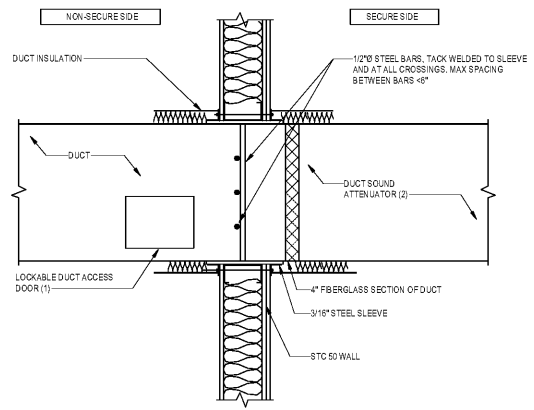
3 TYPICAL SECURITY BARS IN WALL OPENINGS
M601 NTS



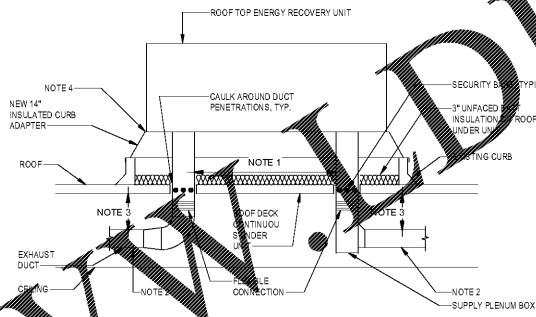
4 ROOF EXHAUST FAN CURB DETAIL
M601 NTS



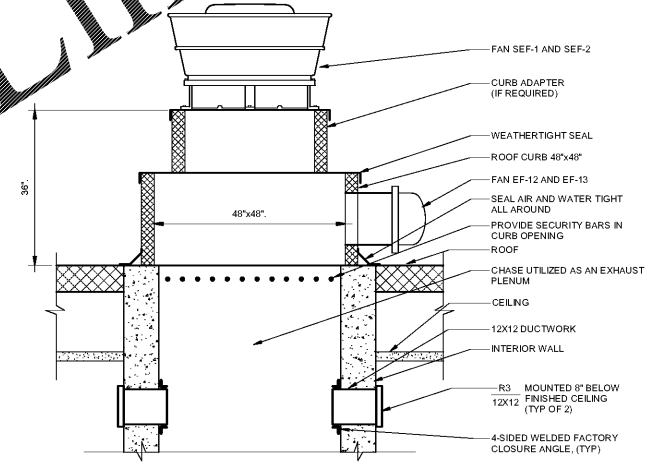
5 SECURITY SIDEWALL GRILLES
M601 NTS



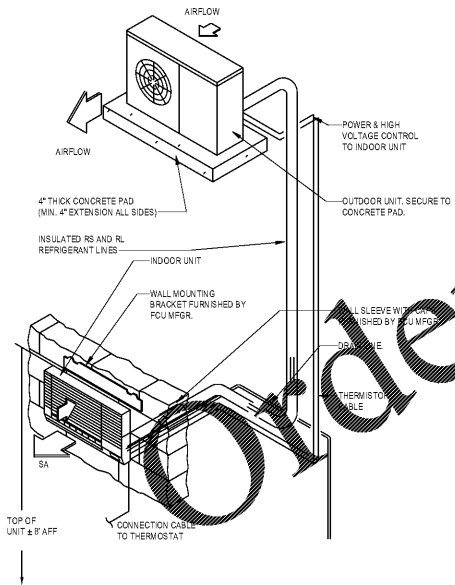
6 DUCT PENETRATION THRU SECURE WALL DETAIL
M601 NTS



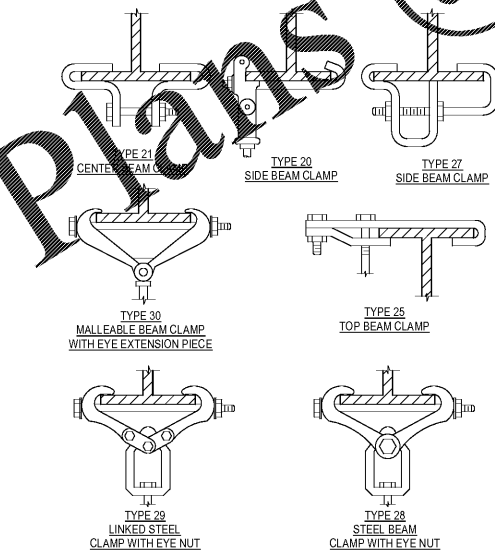
7 ROOF TOP UNIT DETAIL
M601 NTS



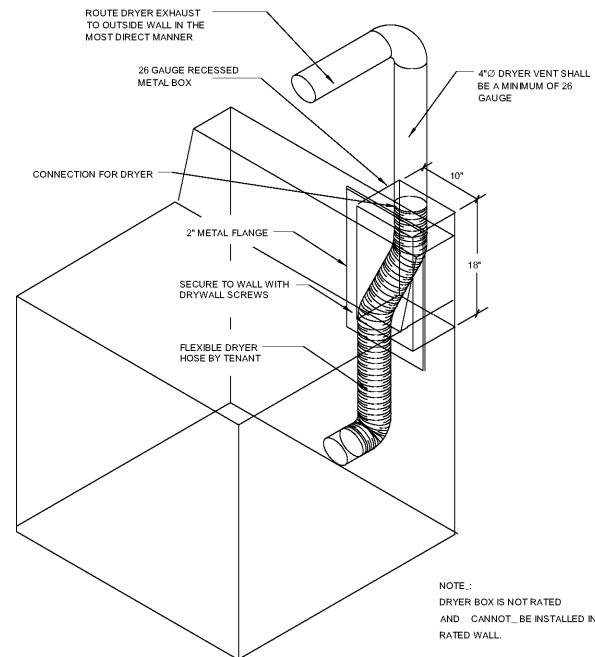
8 HOLDING CELL EXHAUST FAN DETAIL
M601 NTS



9 WALL-MOUNTED DUCTLESS SPLIT SYSTEM DETAIL
M601 NTS



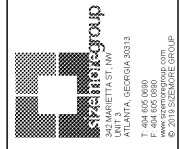
10 BEAM CLAMPS
M601 NTS



11 CLOTHES DRYER BOX DETAIL
M601 NTS

DATE
DESCRIPTION
No.

CITY OF MONROE
PUBLIC SAFETY & MUNICIPAL
COURT COMPLEX RENOVATION
140 BLAINE ST. MONROE, GA 30655



THIS DRAWING IS AN INSTRUMENT OF SERVICE AND SHALL REMAIN THE PROPERTY OF THE ARCHITECT. NO PART OF THIS DOCUMENT SHALL BE REPRODUCED OR TRANSMITTED IN ANY FORM, ELECTRONICALLY OR MECHANICALLY, FOR ANY PURPOSE, WITHOUT THE EXPRESS WRITTEN PERMISSION OF THE ARCHITECT.

MECHANICAL DETAILS

PROJECT # 19160MONRpo
DATE: Issue Date
DRAWN BY: KM
CHECKED BY: AW

M601

SCALE As indicated
PERMIT SET

SPENCER BRISTOL ENGINEERING, INC.
A Gray Company
3577 Peachtree Lane, Suite 250
Peachtree Corners, Georgia 30092
Tel: 770.414.1028 Fax: 770.414.6024
SBE Project No. 19086