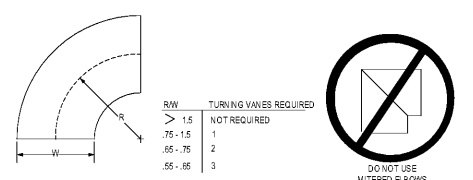
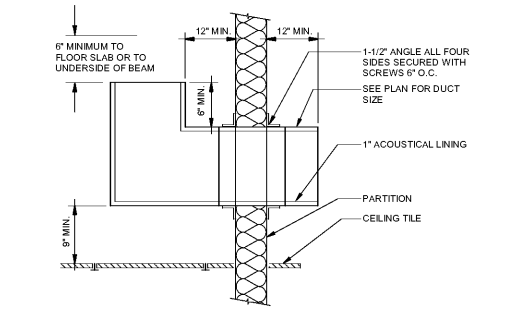


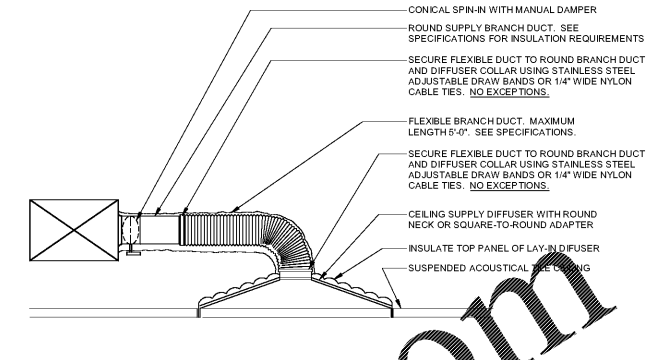
1 BRANCH FITTING FOR AIR TERMINAL  
M600 NTS



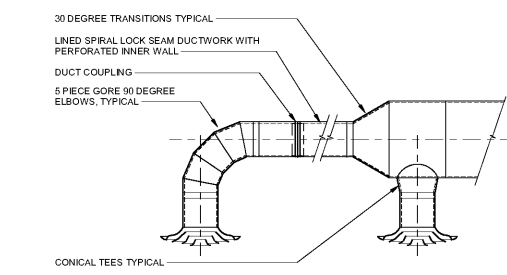
2 DUCT ELBOW DESIGN STANDARDS  
M600 NTS



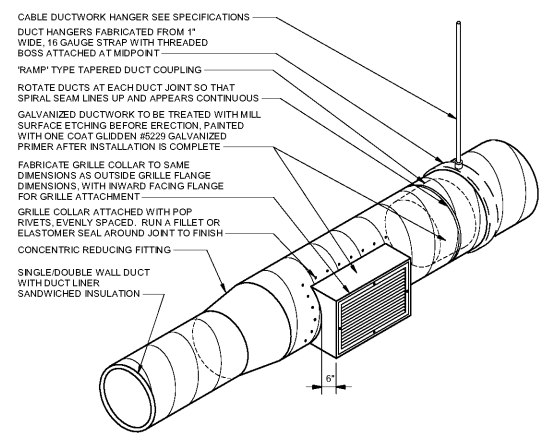
3 TRANSFER AIR DUCT DETAIL  
M600 NTS



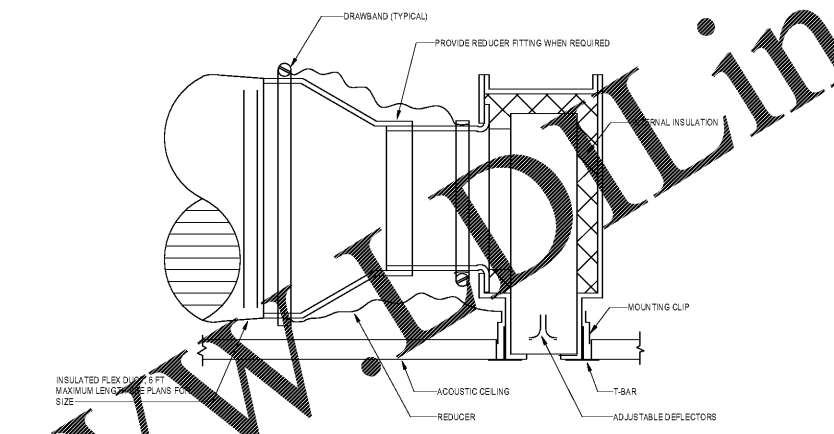
4 FLEXIBLE SUPPLY BRANCH DUCT DETAIL  
M600 NTS



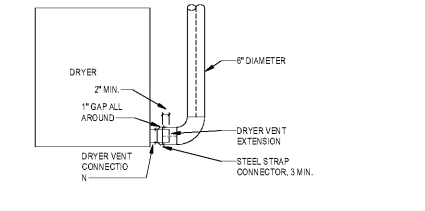
5 SUPPLY AIR DUCT DETAIL  
M600 NTS



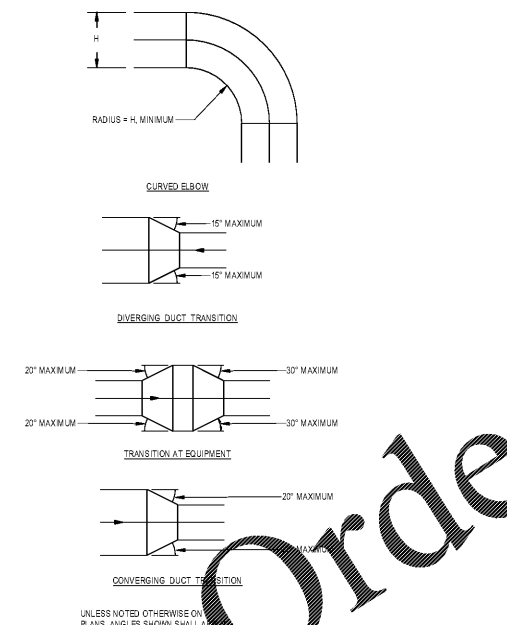
6 EXPOSED DUCT CONSTRUCTION DETAILS  
M600 NTS



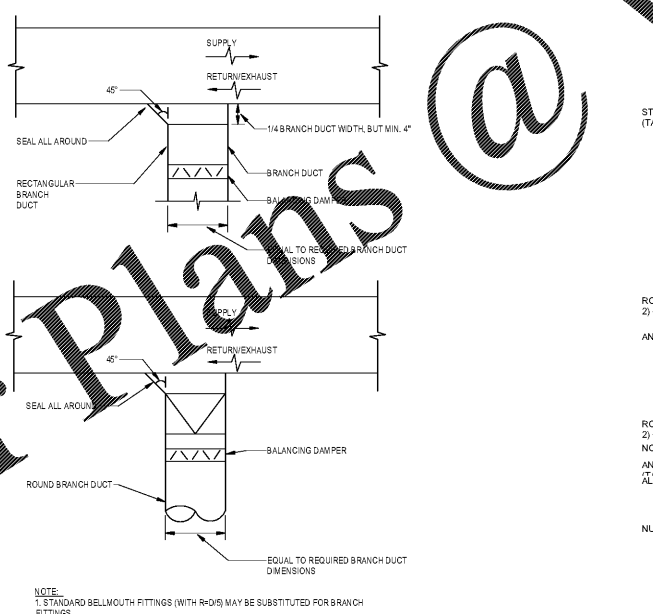
7 LINEAR SLOT DIFFUSER DETAIL  
M600 NTS



8 DRYER EXHAUST CONNECTION  
M600 NTS



9 TYPICAL DUCT TRANSITION DETAIL  
M600 NTS



10 BRANCH DUCT CONNECTION DETAIL  
M600 NTS

STRAP HANGERS (TABLE 1)

| W-D MAX. | 10'-0" MAX. | 8'-0" MAX. | 5'-0" OR LESS |
|----------|-------------|------------|---------------|
| 72"      | 1"x22 GA.   | 1"x22 GA.  | 1"x22 GA.     |
| 96"      | 1"x18 GA.   | 1"x20 GA.  | 1"x22 GA.     |
| 120"     |             | 1"x18 GA.  | 1"x22 GA.     |
| 168"     |             |            | 1"x18 GA.     |
| 192"     |             |            | 1"x16 GA.     |

192" SPECIAL ANALYSIS REQUIRED

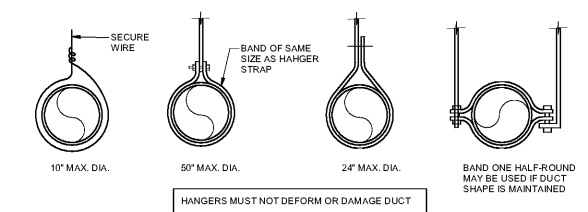
RODS (TABLE 2)

| STRAPS      | LBS. | RODS          | LBS. |
|-------------|------|---------------|------|
| 2-1"x22 GA. | 520  | (2)x1/4" DIA. | 540  |
| 2-1"x22 GA. | 640  | (2)x3/8" DIA. | 1360 |
| 2-1"x22 GA. | 840  | (2)x1/2" DIA. | 2500 |
| 2-1"x22 GA. | 1400 | (2)x5/8" DIA. | 4000 |
|             |      | (2)x3/4" DIA. | 6000 |

TRAPEZE (TABLE 3)

| L   | 2' x 2' x 1/4" | 2-1/2' x 2-1/2' x 1/4" |
|-----|----------------|------------------------|
| 36" | 1200 LBS.      | 1940 LBS.              |
| 48" | 1160 LBS.      | 1900 LBS.              |
| 60" | 1060 LBS.      | 1800 LBS.              |
| 72" | 900 LBS.       | 1640 LBS.              |
| 84" | 860 LBS.       | 1400 LBS.              |
| 96" | 320 LBS.       | 1060 LBS.              |

A RECTANGULAR DUCT HANGERS DETAIL  
M600 NTS



MINIMUM HANGER SIZES FOR ROUND DUCT

| DIAMETER | MAX SPACING | WIRE DIA.  | ROD      | STRAP           |
|----------|-------------|------------|----------|-----------------|
| 10" DN   | 12"         | ONE 12 GA. | 1/4"     | 1" X 22 GA.     |
| 11 - 18" | 12"         | TWO 12 GA. | 1/4"     | 1" X 22 GA.     |
| 19 - 24" | 12"         | TWO 10 GA. | 1/4"     | 1" X 22 GA.     |
| 25 - 36" | 12"         | TWO 8 GA.  | 3/8"     | 1" X 20 GA.     |
| 37 - 50" | 12"         |            | (2) 3/8" | (2) 1" X 20 GA. |
| 51 - 60" | 12"         |            | (2) 3/8" | (2) 1" X 18 GA. |
| 61 - 84" | 12"         |            | (2) 3/8" | (2) 1" X 16 GA. |

12 ROUND DUCT HANGERS - ABOVE CEILINGS  
M600 NTS

Order Plans @ WWW.LDOnline.com

CITY OF MONROE  
PUBLIC SAFETY & MUNICIPAL  
COURT COMPLEX RENOVATION  
140 BLAINE ST. MONROE, LA 70501

| DATE | DESCRIPTION |
|------|-------------|
|      |             |
|      |             |
|      |             |
|      |             |
|      |             |
|      |             |
|      |             |
|      |             |
|      |             |
|      |             |
|      |             |
|      |             |
|      |             |
|      |             |
|      |             |
|      |             |
|      |             |
|      |             |
|      |             |
|      |             |
|      |             |

Spencer Bristol Engineering, Inc.  
A Gray Company  
3577 Parkway Lane, Suite 250  
Peachtree Corners, Georgia 30092  
Tel: 770.414.8028 Fax: 770.414.6024  
SBE Project No. 19036

MECHANICAL DETAILS

PROJECT # 19160MONRpo  
DATE: Issue Date  
DRAWN BY: KM  
CHECKED BY: AW

M600

SCALE As indicated