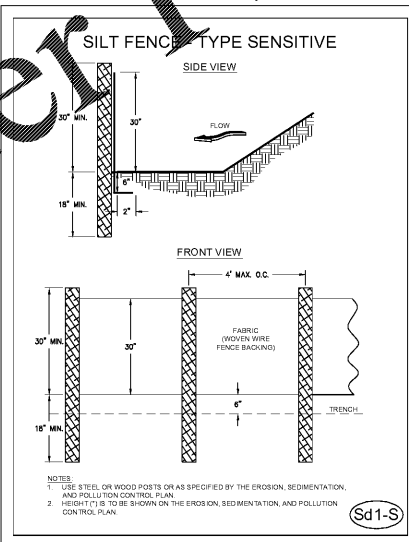
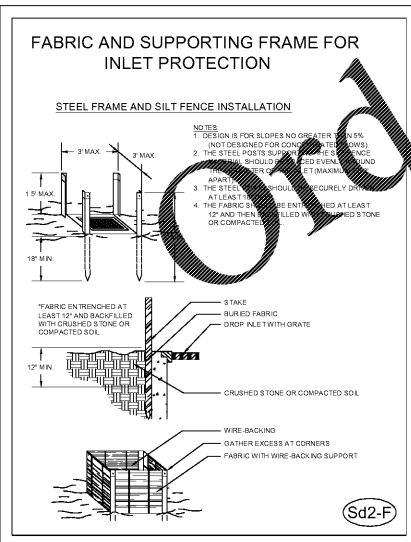
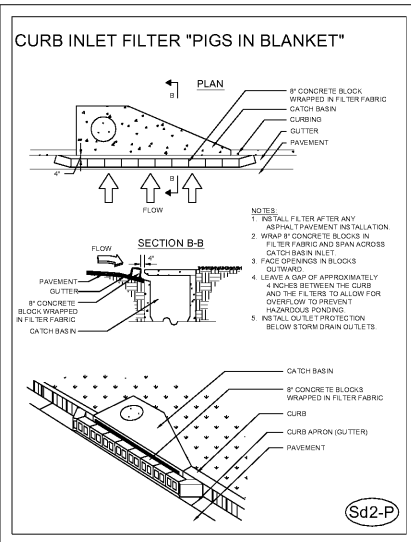
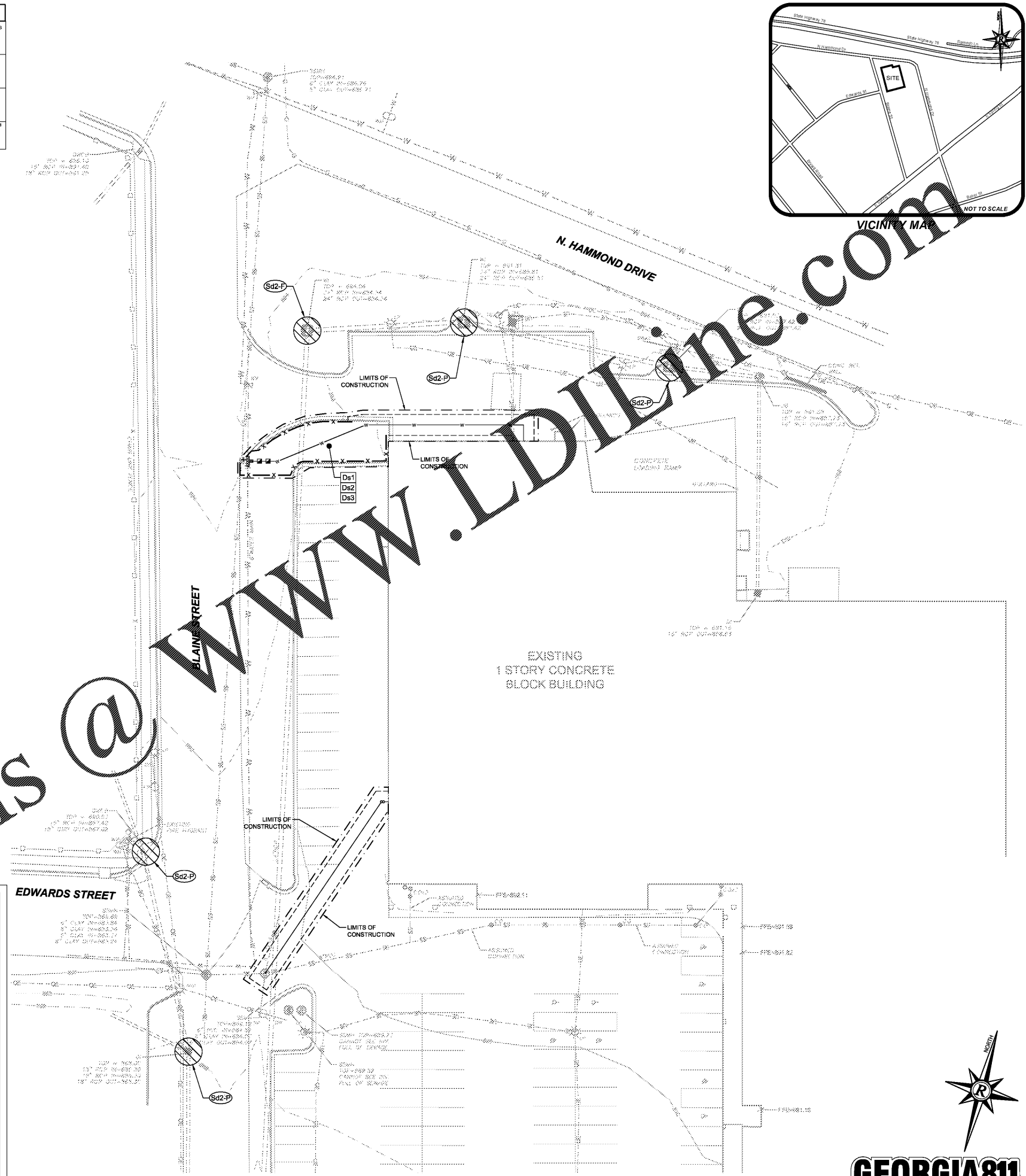
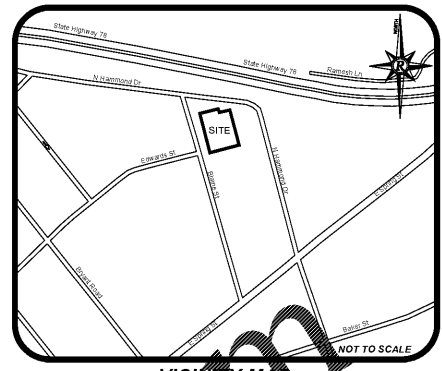


CODE	PRACTICE	DETAIL	MAP SYMBOL	DESCRIPTION
Ds1	DISTURBED AREA STABILIZATION (WITH MULCHING ON-T)		Ds1	Establishing temporary protection for disturbed areas where seedlings may not have a suitable growing season to produce an erosion retarding cover.
Ds2	DISTURBED AREA STABILIZATION (WITH TEMP. SEEDING)		Ds2	Establishing a temporary vegetative cover with fast growing seedlings on disturbed areas.
Ds3	DISTURBED AREA STABILIZATION (WITH PERM SEEDING)		Ds3	Establishing a permanent vegetative cover such as trees, shrubs, vines, grasses, or legumes on disturbed areas.
Sd2	INLET SEDIMENT TRAP		Sd2	An impounding area created by excavating around a storm drain drop inlet. The excavated area will be filled and stabilized on completion of construction activities.

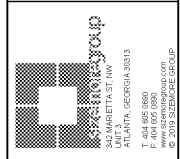
DISTURBED AREA: 4,300 SF (0.1 ACRES)



Order Plans @

DATE	DESCRIPTION

CITY OF MONROE  
PUBLIC SAFETY & MUNICIPAL  
COURT COMPLEX RENOVATION  
140 BLAINE ST. MONROE, GA 30655



THIS DRAWING IS AN INSTRUMENT OF SERVICE AND SHALL REMAIN THE PROPERTY OF THE ARCHITECT. NO PART OF THIS DOCUMENT SHALL BE REPRODUCED OR TRANSMITTED IN ANY FORM, ELECTRONICALLY OR MECHANICALLY, FOR ANY PURPOSE, WITHOUT THE EXPRESS WRITTEN PERMISSION OF THE ARCHITECT.

EROSION CONTROL PLAN

PROJECT # G219101.TSG  
DATE: 09/04/2019  
DRAWN BY: ATM  
CHECKED BY: EMC

C002

SCALE 1" = 20'

