

**FEEDER SCHEDULE**

##	FEEDER SCHEDULE
1	(4) - #3/0AWG
2	(4) - #3 AWG
3	(4) - #2/0 AWG

**NOTE: FUELING AND LIGHTING CONTROL CIRCUITS ARE FACTORY PRE-WIRED AND TESTED**

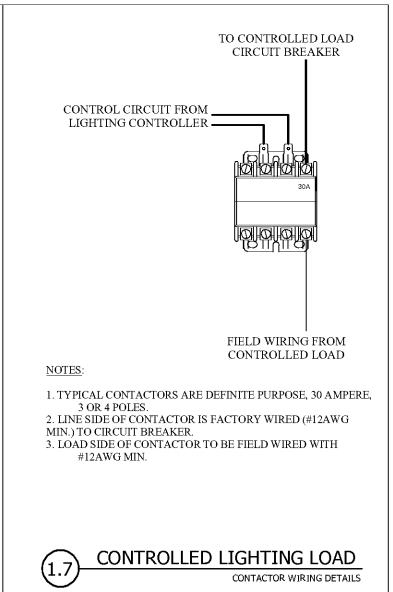
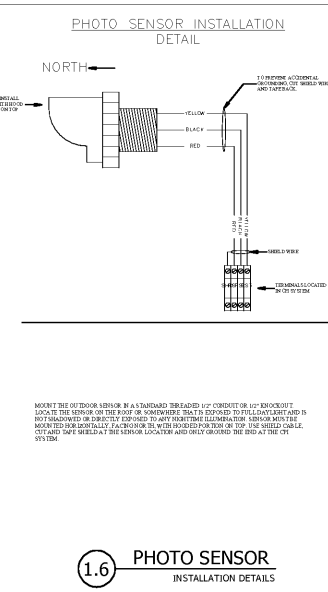
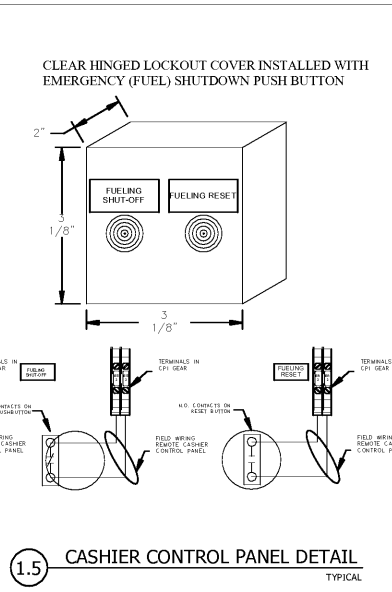
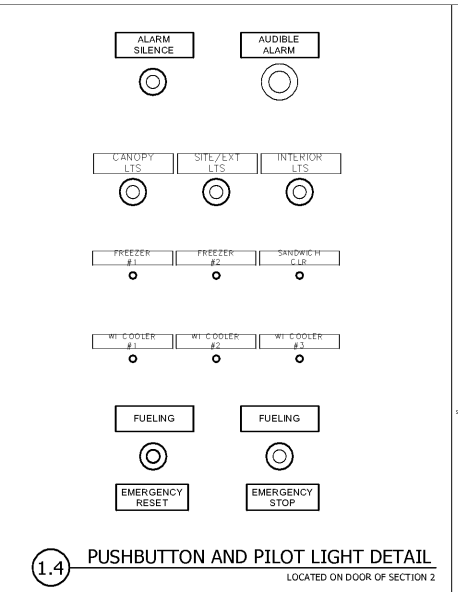
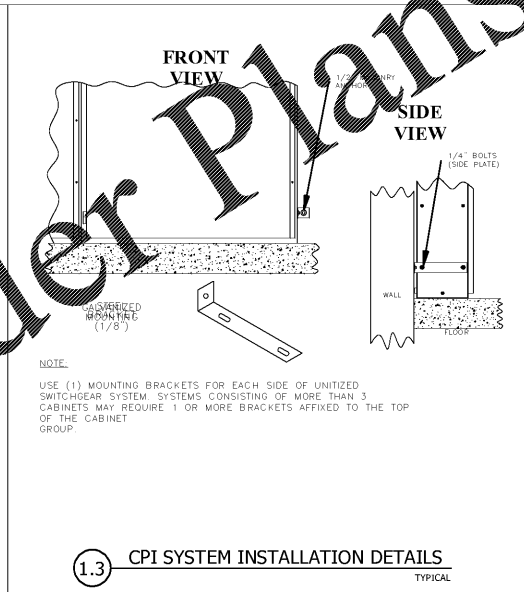
**FUELING CONTROLS**

FUELING CONTROL SCREEN PROVIDES ISOLATION AND CONTROL OF UP TO 8 DISPENSERS AND 4 SUBMERSIBLE PUMPS. INCLUDES E-STOP AND RESET DOOR MOUNTED PUSHBUTTONS.

**LIGHTING CONTROLS**

LIGHTING CONTROL SCREEN PROVIDES AUTOMATIC CONTROL OF UP TO 32 ZONES AND 32 CIRCUITS OF LIGHTING. INCLUDES INDIVIDUAL, IMMEDIATE, TIMED OVERRIDE PUSHBUTTONS FOR EACH LIGHTING ZONE AND SINGLE BYPASS SWITCH FOR MANUAL OVERRIDE OF LIGHTING CONTROLLER.

**1.2 CPI LIGHTING AND FUELING CONTROLS SECTION 2**

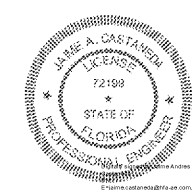


**STIPULATION FOR REUSE**  
THIS DOCUMENT IS THE PROPERTY OF HARRISON FRENCH & ASSOCIATES, LTD. IT IS TO BE USED ONLY FOR THE PROJECT AND SITE SPECIFIC TO THE PROJECT. IT IS NOT TO BE REPRODUCED, COPIED, OR TRANSMITTED IN ANY FORM OR BY ANY MEANS, ELECTRONIC OR MECHANICAL, INCLUDING PHOTOCOPYING, RECORDING, OR BY ANY INFORMATION STORAGE AND RETRIEVAL SYSTEM. WITHOUT THE WRITTEN PERMISSION OF HARRISON FRENCH & ASSOCIATES, LTD. ANY REUSE OF THIS DOCUMENT FOR ANY OTHER PROJECT IS STRICTLY PROHIBITED AND WILL BE CONSIDERED A VIOLATION OF THE TERMS AND CONDITIONS OF THE ORIGINAL AGREEMENT.

**ISSUE BLOCK**

NO.	DESCRIPTION	DATE
1	90% CD'S	05/10/19
2	100% SET	06/14/19
3	90% AIM 4.0	08/14/19
4	100% AIM 4.0	09/11/19

**CHECKED BY:** JLB  
**DRAWN BY:** KEM  
**DOCUMENT DATE:** 08/14/19  
**PROTO:**



**Printed copies of this document are not considered signed and sealed until the signature must be verified on any e-signatures.**