

AIR COOLED CONDENSING UNIT SCHEDULE

| MARK | AREA SERVED | MANUFACTURER | MODEL | CAPACITY | | | | ELECTRICAL DATA | | | | REFRIG-ERANT | CON. PIPE SIZE | | OPERATING WEIGHT (LBS) |
|-----------|-------------------------|---------------|--------------|----------|-------|-------|------|-----------------|--------|---------|--------|--------------|----------------|--|------------------------|
| | | | | MBH | VOLTS | PHASE | MCA | MOCP | LIQUID | SUCTION | | | | | |
| ACCU - 1 | FBD | KIRWAN | 12-7462-0007 | 3.8 | 208 | 1 | 12 | 15 | R-404A | 3/8" | 3/8" | 200 | | | |
| ACCU - 2 | FBD | KIRWAN | 12-7462-0007 | 3.8 | 208 | 1 | 12 | 15 | R-404A | 3/8" | 3/8" | 200 | | | |
| ACCU - 3 | ICE MAKER AT COFFEE BAR | MANITOWOC ICE | CYD93600-261 | 13.7 | 208 | 1 | 11.6 | 15 | R-404A | 3/8" | 5/8" | 178 | | | |
| ACCU - 4 | WALK-IN COOLER STORAGE | LARKIN | LHS010X98 | 8.7 | 208 | 1 | 15 | 15 | R-448A | 3/8" | 5/8" | 138 | | | |
| ACCU - 5 | SANDWICH COOLER | LARKIN | LZT010M6B | 12.93 | 208 | 1 | 15 | 15 | R-404A | 1/2" | 7/8" | 209 | | | |
| ACCU - 6 | SANDWICH COOLER | LARKIN | LZT010M6B | 12.93 | 208 | 1 | 15 | 15 | R-404A | 1/2" | 7/8" | 209 | | | |
| ACCU - 7 | SANDWICH COOLER | LARKIN | LZT010M6B | 12.93 | 208 | 1 | 15 | 15 | R-404A | 1/2" | 7/8" | 209 | | | |
| ACCU - 8 | CHILL ZONE ICE MAKER | MANITOWOC ICE | JCT-0500-161 | 6.9 | 120 | 1 | 1.8 | 15 | R-410A | 5/16" | 1/2" | 76 | | | |
| ACCU - 9 | CHILL ZONE ICE MAKER | MANITOWOC ICE | JCT-0500-161 | 6.9 | 120 | 1 | 1.8 | 15 | R-410A | 5/16" | 1/2" | 76 | | | |
| ACCU - 10 | WALK-IN STORAGE FREEZER | LARKIN | LZS030L6C | 15.9 | 208 | 3 | 15 | 20 | R-448A | 1/2" | 7/8" | 217 | | | |
| ACCU - 11 | WALK-IN COOLER | LARKIN | LZS045M6C | 38.2 | 208 | 3 | 27 | 40 | R-448A | 1/2" | 1-1/8" | 317 | | | |
| ACCU - 12 | BEER CAVE | LARKIN | LZS030M6C | 26.2 | 208 | 3 | 21 | 30 | R-448A | 1/2" | 7/8" | 300 | | | |
| ACCU - 13 | WALK-IN COOLER | LARKIN | LZS030M6C | 26.2 | 208 | 3 | 21 | 30 | R-448A | 1/2" | 7/8" | 300 | | | |
| ACCU - 14 | WALK-IN FREEZER | LARKIN | LZS030L6C | 15.9 | 208 | 3 | 15 | 20 | R-448A | 1/2" | 7/8" | 217 | | | |

- GENERAL NOTES (APPLIES TO ALL UNITS):
- REFRIGERANT PIPING SHALL BE SIZED BY MANUFACTURER'S RECOMMENDATIONS BASED ON FIELD CONDITIONS.
 - PROVIDE DRYER, SIGHT GLASS AND SUCTION ACCUMULATOR.
 - DISCONNECT TO BE PROVIDED BY ELECTRICAL SUBCONTRACTOR.

RECOMMENDED LINE SIZES FOR R-448A

| SYSTEM CAPACITY BTUH | SUCTION LINE SIZE | | | | | | | | | | | | | | | | LIQUID LINE SIZE | | | | | | |
|-------------------------|--------------------------|------|--------|--------|--------------------------|--------|--------|--------|--------------------------|--------|--------|--------|--------------------------|--------|--------|------|--------------------------|--------|--------|--|------|------|------|
| | SUCTION TEMPERATURE | | | | | | | | | | | | | | | | | | | | | | |
| | +20°F EQUIVALENT LENGTHS | | | | +10°F EQUIVALENT LENGTHS | | | | -10°F EQUIVALENT LENGTHS | | | | -20°F EQUIVALENT LENGTHS | | | | -30°F EQUIVALENT LENGTHS | | | RECEIVER TO EXPANSION VALVE EQUIVALENT LENGTHS | | | |
| 12,000 | 5/8" | 7/8" | 7/8" | 7/8" | 5/8" | 7/8" | 7/8" | 7/8" | 7/8" | 7/8" | 7/8" | 7/8" | 7/8" | 7/8" | 7/8" | 7/8" | 7/8" | 7/8" | 7/8" | 3/8" | 3/8" | 3/8" | |
| 15,000 | 5/8" | 7/8" | 7/8" | 7/8" | 7/8" | 7/8" | 7/8" | 7/8" | 7/8" | 7/8" | 7/8" | 7/8" | 7/8" | 7/8" | 7/8" | 7/8" | 7/8" | 7/8" | 7/8" | 3/8" | 3/8" | 3/8" | |
| 18,000 | 7/8" | 7/8" | 7/8" | 7/8" | 1-1/8" | 7/8" | 7/8" | 7/8" | 7/8" | 7/8" | 7/8" | 7/8" | 7/8" | 7/8" | 7/8" | 7/8" | 7/8" | 7/8" | 7/8" | 3/8" | 3/8" | 3/8" | |
| 24,000 | 7/8" | 7/8" | 1-1/8" | 1-1/8" | 7/8" | 1-1/8" | 1-1/8" | 1-1/8" | 7/8" | 1-1/8" | 1-1/8" | 1-1/8" | 1-1/8" | 1-1/8" | 1-3/8" | 7/8" | 7/8" | 1-1/8" | 1-1/8" | 7/8" | 1/2" | 1/2" | 1/2" |
| 30,000 | 7/8" | 7/8" | 1-1/8" | 1-1/8" | 7/8" | 1-1/8" | 1-1/8" | 1-3/8" | 1-1/8" | 1-1/8" | 1-3/8" | 1-1/8" | 1-1/8" | 1-3/8" | 7/8" | 7/8" | 1-1/8" | 1-1/8" | 7/8" | 3/8" | 1/2" | 1/2" | 1/2" |

- SIZES THAT ARE HIGHLIGHTED INDICATE MAXIMUM SUCTION LINES THAT SHOULD BE USED FOR RISERS. RISER SIZE SHOULD NOT EXCEED HORIZONTAL SIZE. PROPERLY PLACED SUCTION TRAPS MUST ALSO BE USED FOR ADEQUATE OIL RETURN. ALL SIZES SHOWN ARE FOR O.D. TYPE L COPPER TUBING.
- SUCTION LINE SIZES SELECTED AT PRESSURE DROP EQUIVALENT TO 2" F. REDUCE ESTIMATE OF SYSTEM CAPACITY ACCORDINGLY.
- RECOMMENDED LIQUID LINE SIZE MAY INCREASE WITH REVERSE CYCLE HOT GAS SYSTEMS.
- IF SYSTEM LOAD DROPS BELOW 40% OF DESIGN, CONSIDERATION TO INSTALLING DOUBLE SUCTION RISERS SHOULD BE MADE.
- RECOMMENDED PIPE SIZES FOR 25', 50', 100' AND 150'.
- CHART ADAPTED FROM TABLES 9 AND 9b OF HEATCRAFT REFRIGERATION BROCHURE H-M-CU-00118 CONDENSING UNITS.

GENERAL NOTES

- ALL EQUIPMENT RACKS AND SUPPORTS BY OTHERS.
- ALL EQUIPMENT SHALL BE INSTALLED ACCORDING TO MANUFACTURER'S GUIDELINES AND INSTALLATION CLEARANCES.
- REFER TO ARCH DWGS FOR EQUIPMENT RACK DETAIL.
- REFER TO MANUFACTURER'S LITERATURE FOR CLEARANCE REQUIREMENTS.
- REFRIGERANT LIQUID AND SUCTION PIPING SHALL BE SIZED BY EQUIPMENT MANUFACTURER (TYPICAL).
- (3) FBD FROZEN BEVERAGE, SANDWICH COOLER & ICE DISPENSER REMOTE ACCUS ARE SHOWN FOR COORDINATION PURPOSES ONLY. EQUIPMENT IS BY OTHERS. RSL & RLL PIPING AND SIZING SHALL BE ACCORDING TO MANUFACTURER'S RECOMMENDATIONS.
- ALL LIQUID REFRIGERANT LINES SHALL BE TYPE L HARD COPPER OR TYPE K SOFT DRAWN COPPER ASTM B280. REFRIGERANT GRADE BRAIDED LINE SETS SHALL ONLY BE PERMITTED AS SHOWN ON PLANS.
- ALL REFRIGERANT LINE SETS SHALL BE INSULATED WITH CELLULOP ARMAFLEX TUBE INSULATION TO THE THICKNESS AS SHOWN IN THE INSULATION THICKNESS SCHEDULES THIS SHEET.
- REFRIGERATION DRAWINGS ARE PROVIDED AS AN AID TO BIDDING AND TO INDICATE DESIRED ROUTING OF REFRIGERATION LINES. CONTRACTOR SHALL ASSUME FULL RESPONSIBILITY FOR CORRECT INSTALLATION OF PIPING AND ACCESSORIES TO PROVIDE A COMPLETE AND FULLY OPERATING SYSTEM.

HFA
HARRISON FRENCH ASSOCIATES, LTD.
1705 S. Walton Blvd, Suite 3
Bentonville, Arkansas 72712
www.hfa-ae.com

STIPULATION FOR REUSE
THIS DRAWING WAS PREPARED FOR...
SUNRISE & 4TH FORT LAUDERDALE, FL 33304
JOB NUMBER: 41-17-00410

Cumberland
SUNRISE & 4TH FORT LAUDERDALE, FL 33304
JOB NUMBER: 41-17-00410

ISSUE BLOCK

| | |
|-------------|----------|
| 90% CDs | 05/10/19 |
| 100% Set | 06/14/19 |
| 90% AIM4.0 | 08/14/19 |
| 100% AIM4.0 | 09/11/19 |

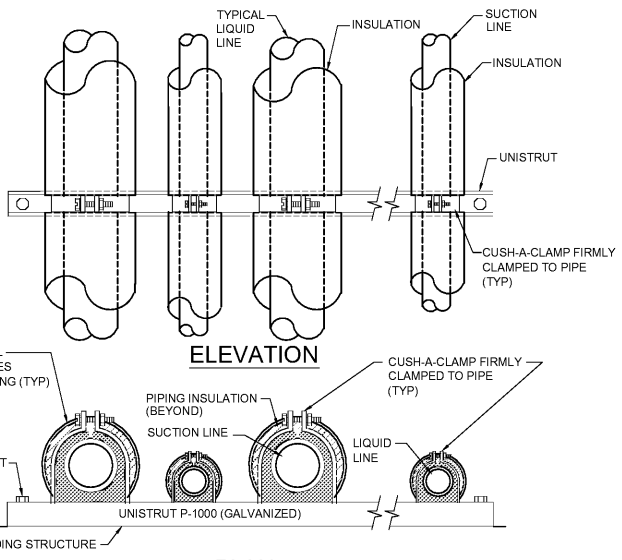
CHECKED BY: BRT
DRAWN BY: BRT

STATE OF FLORIDA
PROFESSIONAL ENGINEER
72212
2019.09.11 21:31:23-0500

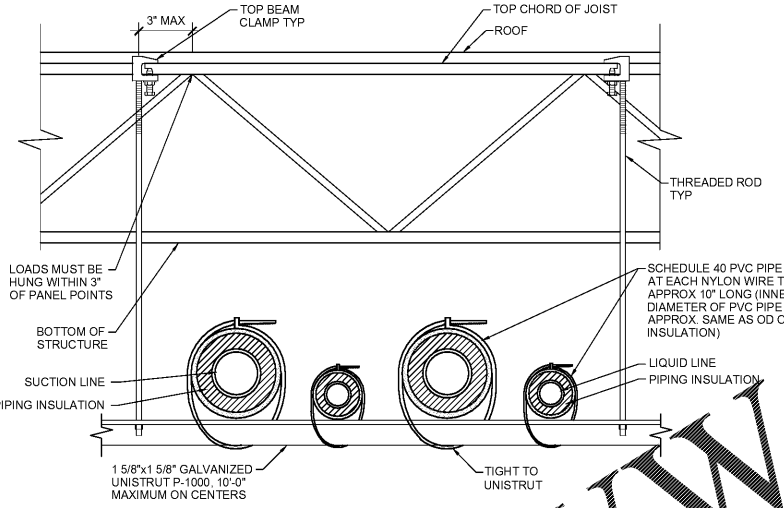
Filed Pursuant to Public Access
I, Greg Schuettman, P.E., License #72212, Harrison French & Associates, LTD., ODA #02421
Printed copies of this document are not considered signed and sealed and the signature must be verified on any electronic copies.

REFRIGERATION ROOF PLAN

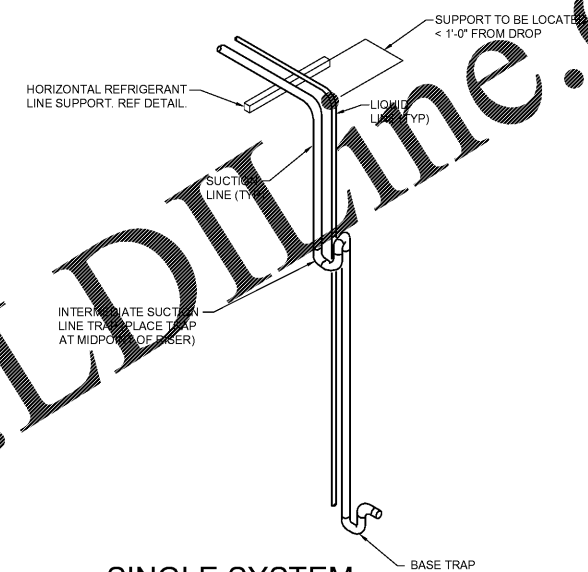
SHEET: **R140**



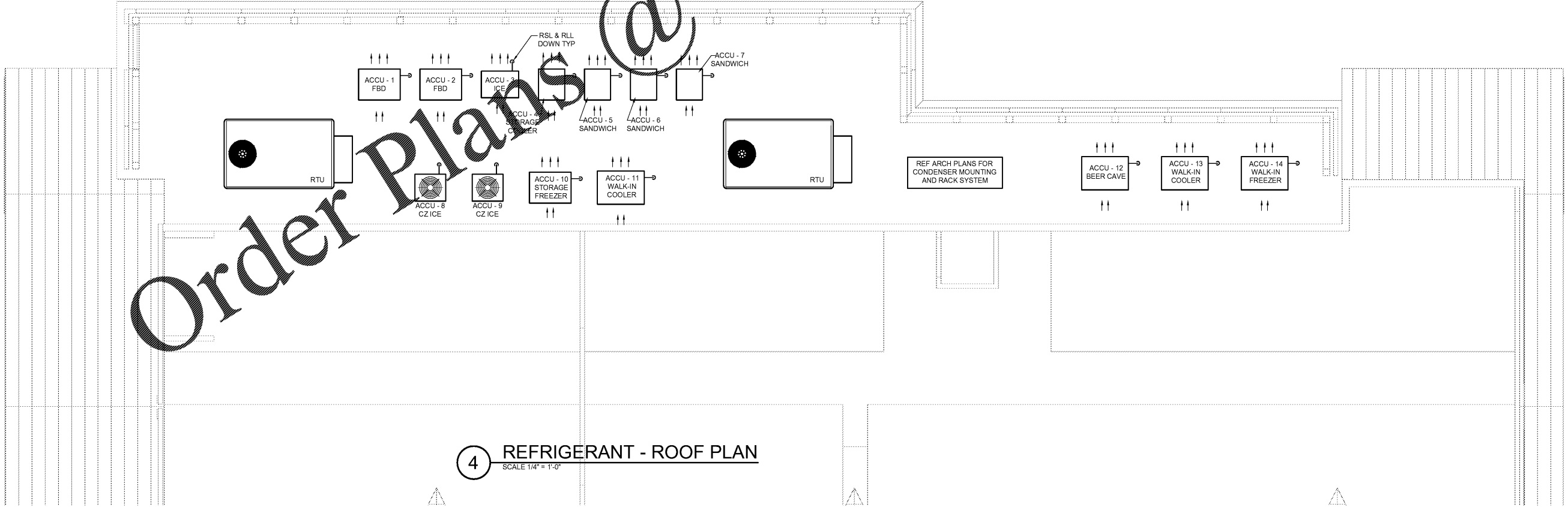
1 VERTICAL REFRIGERANT LINE SUPPORT
N.T.S. 11.21.17



2 MULTIPLE REFRIGERANT LINE TRAPEZE HANGER
N.T.S. 11.21.17



3 SINGLE SYSTEM INTERMEDIATE SUCTION LINE TRAP
N.T.S. 11.21.17



4 REFRIGERANT - ROOF PLAN
SCALE: 1/4" = 1'-0"