

GENERAL NOTES

- EQUIPMENT SHOWN FOR REFERENCE ONLY. REFER TO DRAWING R140 FOR EQUIPMENT INFO.
- ALL MECHANICAL EQUIPMENT SHALL BE INSTALLED ACCORDING TO MANUFACTURER'S GUIDELINES AND INSTALLATION CLEARANCES.
- BAROMETRIC RELIEF HOOD TO BE INSTALLED AS HIGH AS POSSIBLE ON VERTICAL FACE OF THE RETURN DUCT OF EACH SYSTEM.

(X) KEYNOTES

- INSTALL CLEARANCES ACCORDING TO MANUFACTURER'S INSTALLATION INSTRUCTIONS (TYP. 5, 6).
- FOR COOLED CONDENSING UNITS SHOWN FOR COORDINATION PURPOSES REFER TO DRAWING R140 FOR EQUIPMENT INFO (TYPICAL).
- BAROMETRIC RELIEF DAMPERS ARE SHIPPED LOOSE WITH THE RTU TO BE FIELD INSTALLED BY THE GC HIGH ON RETURN DUCT.
- EXTEND FULL SIZE SUPPLY/RETURN PLENUM THRU EXTERIOR WALL. COORDINATE OPENING WITH GC REFERENCE SHEET M100 FOR DUCT SIZES INSIDE BUILDING.
- SLOPE INSULATION ON TOP OF DUCT AT 1/4" PER FOOT TO SHED WATER AWAY FROM BUILDING.
- CONTINUE EXTERIOR BOARD INSULATION 6" INTO THE BUILDING. PROVIDE TAPE INSULATION WITH BOARD INSULATION TO PROVIDE CONTINUOUS VAPOR BARRIER.

STIPULATION FOR REUSE
 THIS DRAWING WAS PREPARED FOR THE PROJECT AND IS NOT TO BE REUSED FOR ANY OTHER PROJECT WITHOUT THE WRITTEN CONSENT OF HARRISON FRENCH ASSOCIATES, LTD. ANY REUSE OF THIS DRAWING FOR ANY OTHER PROJECT WITHOUT THE WRITTEN CONSENT OF HARRISON FRENCH ASSOCIATES, LTD. IS PROHIBITED. THE USER OF THIS DRAWING SHALL BE RESPONSIBLE FOR OBTAINING ALL NECESSARY PERMITS AND APPROVALS. HARRISON FRENCH ASSOCIATES, LTD. DOES NOT WARRANT THE ACCURACY OF THIS PROJECT. PROJECT IS NOT AUTHORIZED TO BE CONTRIBUTED TO THE LAW.

Cumberland
 SUNRISE & 4TH
 FORT LAUDERDALE, FL 33304
 JOB NUMBER: 41-17-00410

ISSUE BLOCK

90% CDs	05/10/19
100% Set	06/14/19
90% AIM4.0	08/14/19
100% AIM4.0	09/11/19

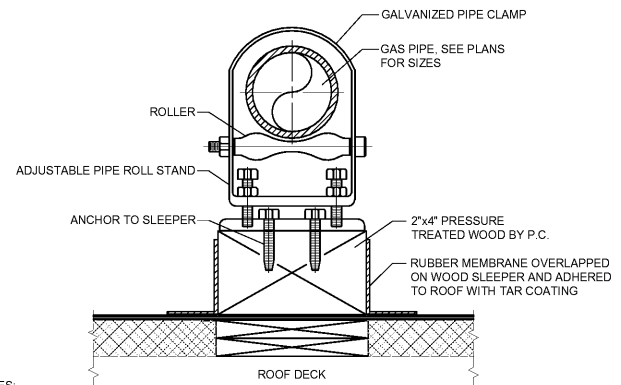
CHECKED BY: BRT
 DRAWN BY: BRT



2019.09.11 21:23:26-05'00'
 Greg Schlueter, P.E.
 License #72212
 Harrison French & Associates, LTD.
 ODA #02421
 Filled copies of this document are not considered signed and sealed and the signature must be verified on any electronic copies.

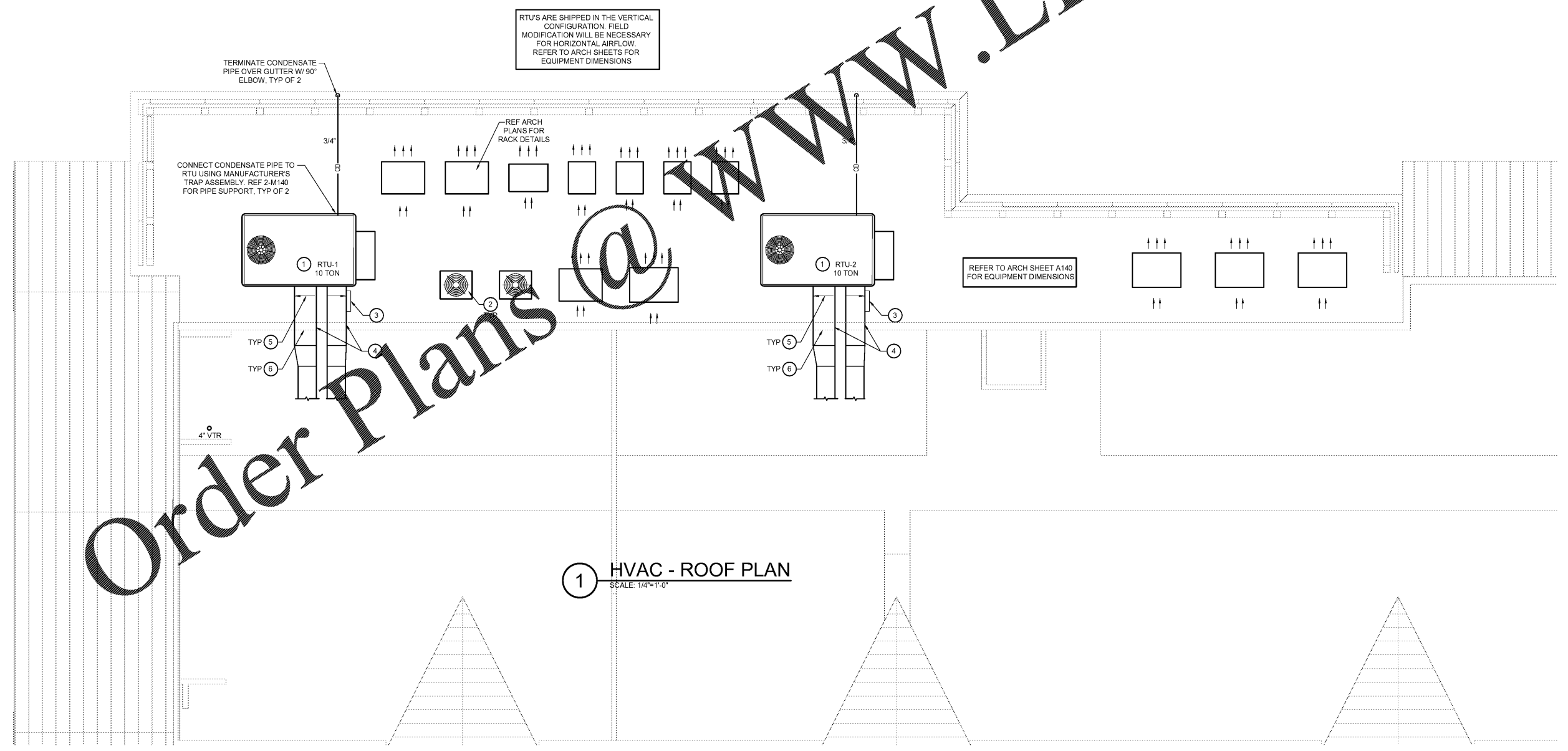
HVAC ROOF PLAN AND DETAILS

SHEET: **M140**



- NOTES:**
- SEE PLANS FOR GAS PIPING SIZES AND PIPE RUNS ON ROOF.
 - PC SHALL FURNISH AND INSTALL ALL PIPE SUPPORTS AND HARDWARE, AND SHALL SECURE TO ROOF SLEEPERS. ROOF SLEEPERS SHALL BE SECURED TO THE ROOF BY RUBBER MEMBRANE OVERLAPPED ON WOOD AND ADHERED TO ROOF WITH TAR COATING.
 - ROOF SLEEPERS SHALL BE PROVIDED AT 10'-0" INTERVALS AND AT EVERY CHANGE OF ROOF DIRECTION.
 - ALL EXTERIOR GAS PIPING, FITTINGS, AND VALVES SHALL BE PAINTED FOR CORROSION RESISTANCE BY APPLYING ONE COAT OF RUST PROTECTION PRIMER AND ONE COAT OF RUST PROTECTION FINAL TOP COAT COLOR YELLOW. ALL GAS PIPING, FITTINGS, AND VALVES SHALL BE CLEANED AND PREPARED FOR PAINT IN ACCORDANCE WITH THE PAINT MANUFACTURER'S RECOMMENDATIONS. ALL PAINT SHALL BE APPLIED IN ACCORDANCE WITH THE PAINT MANUFACTURER'S RECOMMENDATIONS.

2 ROOF SLEEPER DETAIL
 11.21.17



1 HVAC - ROOF PLAN
 SCALE: 1/4"=1'-0"

Order Plans @

WWW.LDIDLINE.COM