

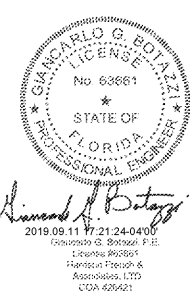
STIPULATION FOR REUSE:
THIS DRAWING WAS PREPARED FOR THE PROJECT LISTED BELOW AND IS NOT TO BE REPRODUCED OR USED FOR ANY OTHER PROJECT WITHOUT THE WRITTEN PERMISSION OF HARRISON FRENCH & ASSOCIATES, LTD. ENGINEERS REPRODUCTION OF THIS PROJECT IS NOT AUTHORIZED AND MAY BE CONSIDERED TO BE IN VIOLATION OF THE LAW.

Cumberland
Store # TBD
VSH # TBD
Oracle # FL8312
SUNRISE & NW 4TH AVE
FORT LAUDERDALE, FL 33311
JOB NUMBER: 41-17-00410

ISSUE BLOCK

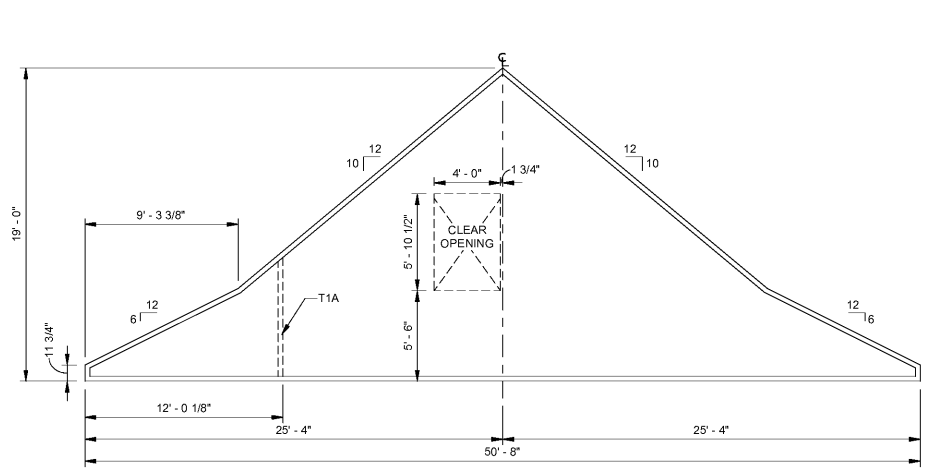
1	90% CDs	05/10/19
2	100% SET	06/14/19
3	90% AIM 4.0	08/14/19
4	100% AIM 4.0	09/11/19

CHECKED BY: GGB
DRAWN BY: AHM

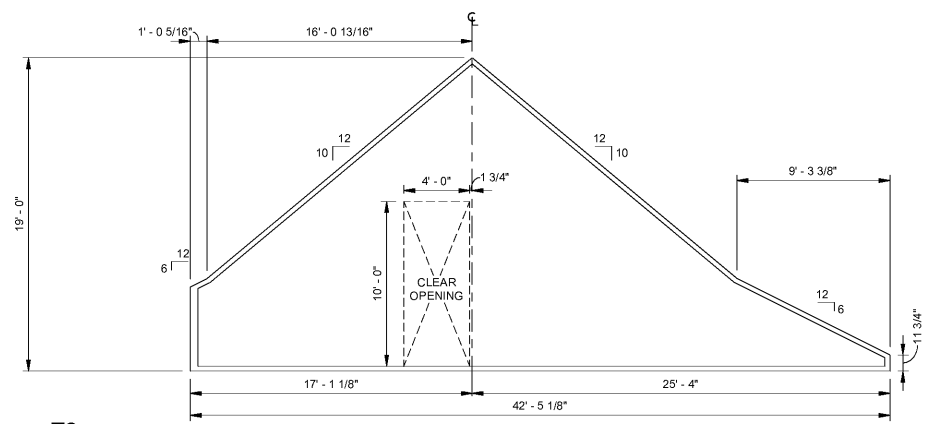


TRUSS PROFILES

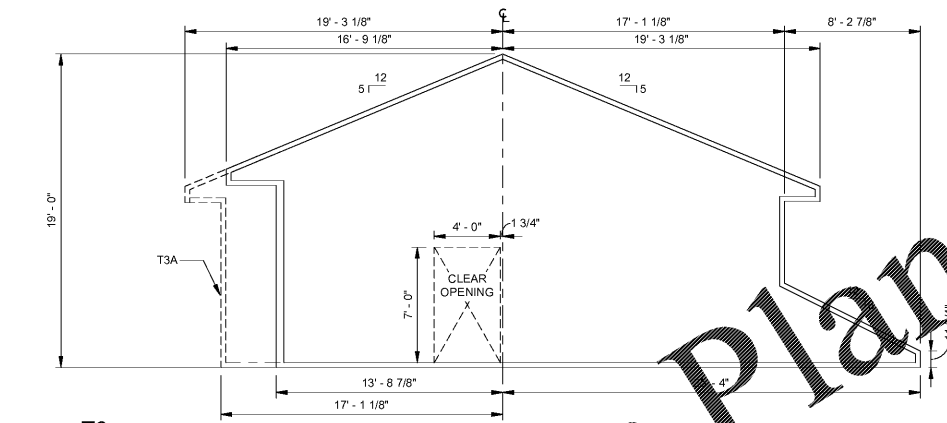
SHEET: **S600**



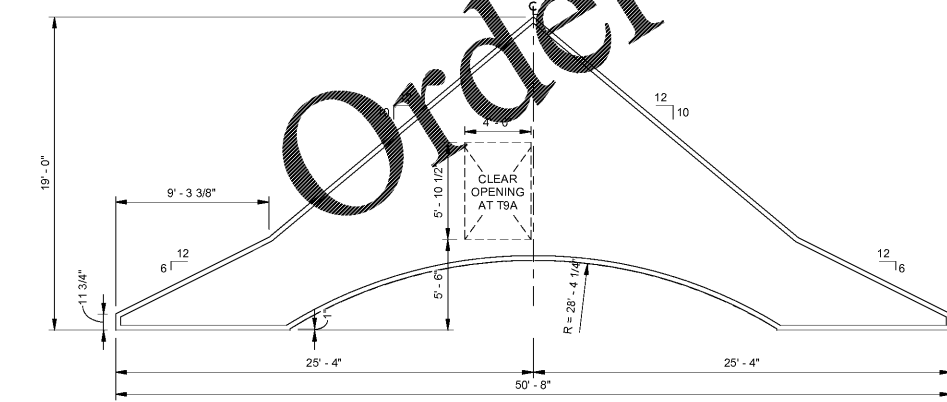
1 T1
3/16" = 1'-0"



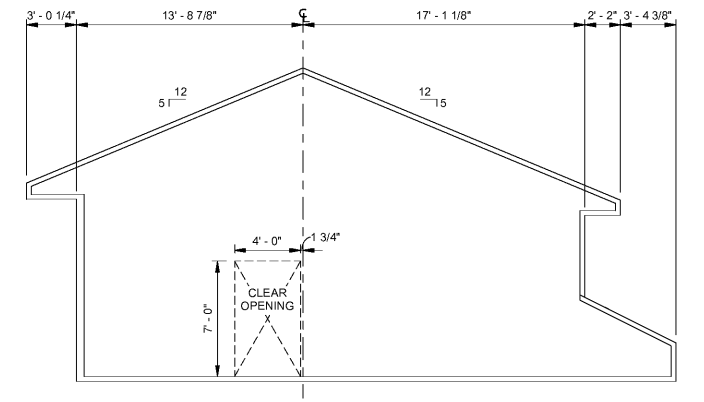
2 T2
3/16" = 1'-0"



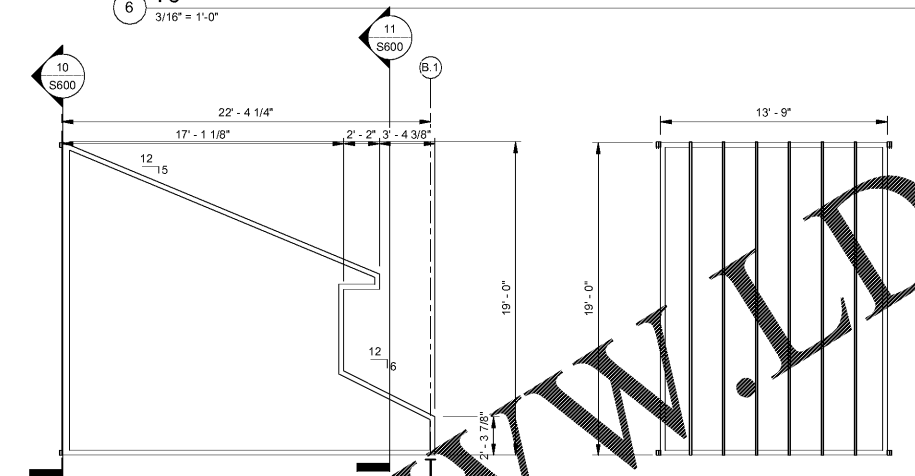
3 T3
3/16" = 1'-0"



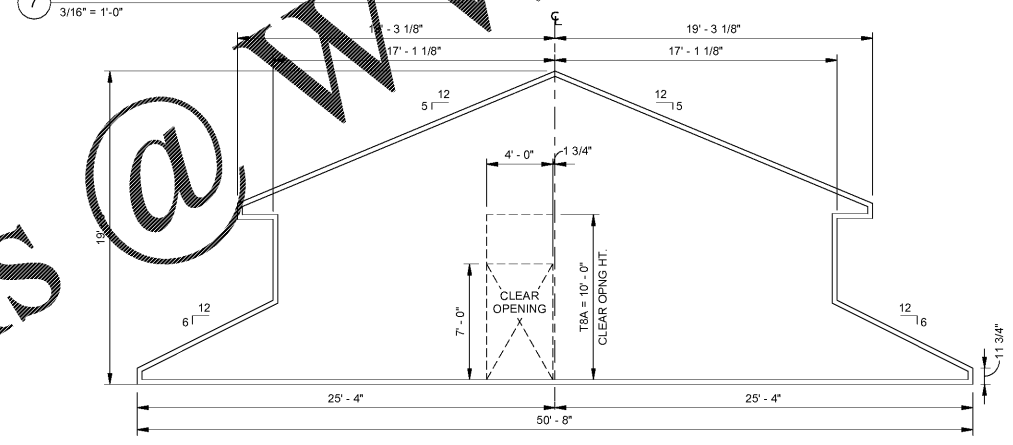
9 T9 AND T9A
3/16" = 1'-0"



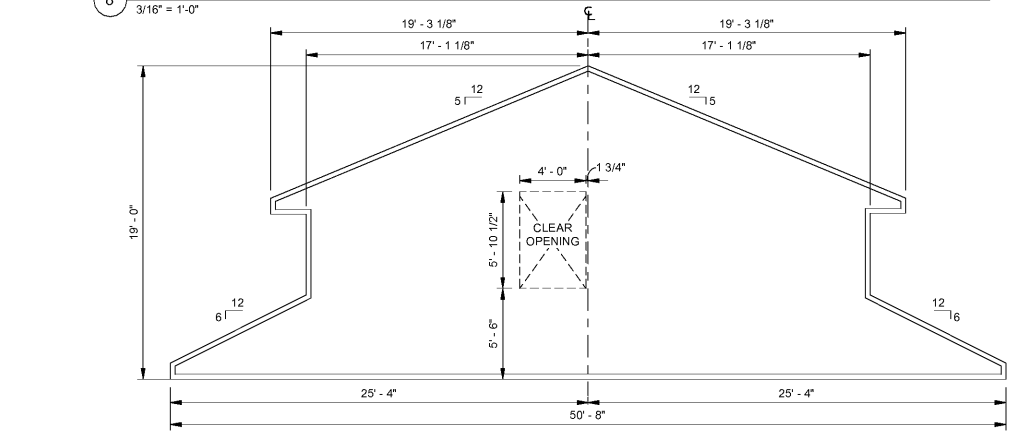
6 T6
3/16" = 1'-0"



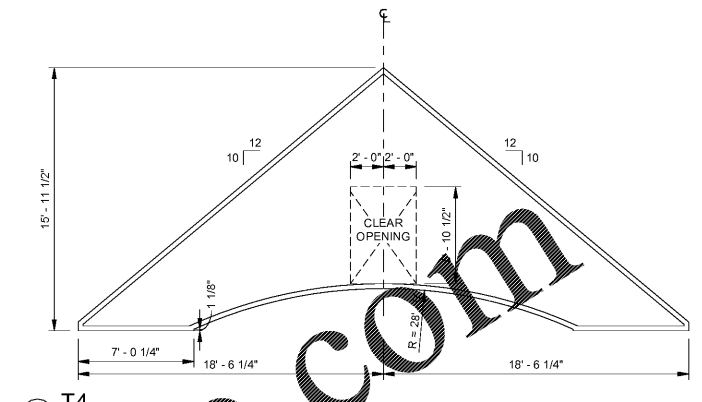
7 T7 AND T7A
3/16" = 1'-0"



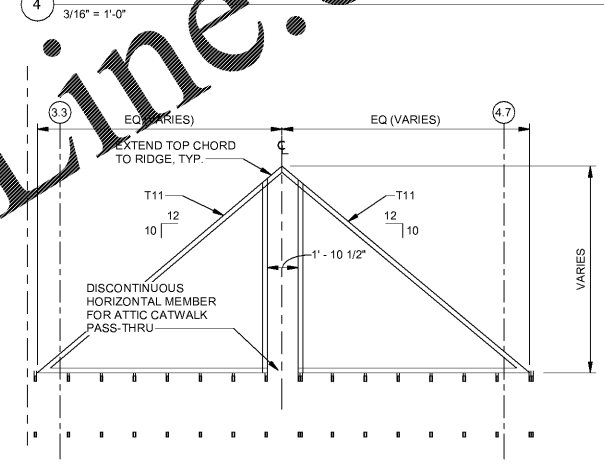
8 T8 AND T8A
3/16" = 1'-0"



13 T8B
3/16" = 1'-0"

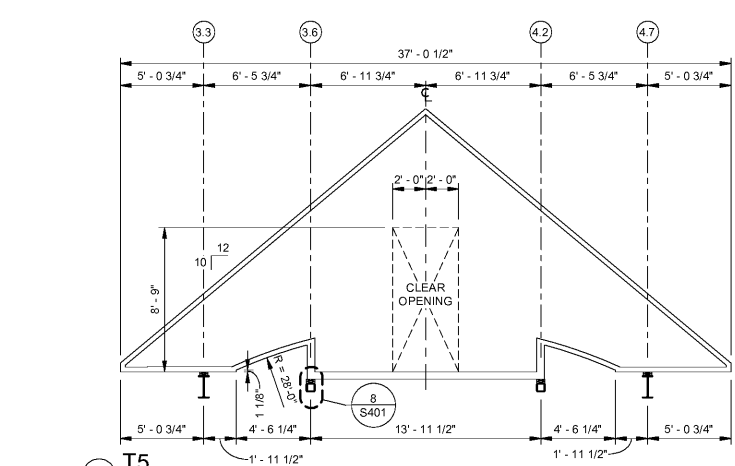


4 T4
3/16" = 1'-0"

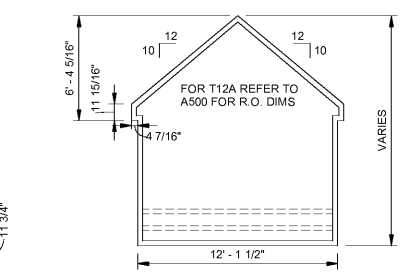


10 T10
3/16" = 1'-0"

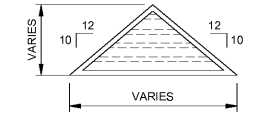
11 T11 (SPLIT TRUSS PROFILE)
3/16" = 1'-0"



5 T5
3/16" = 1'-0"



12 T12
3/16" = 1'-0"



14 T14
3/16" = 1'-0"