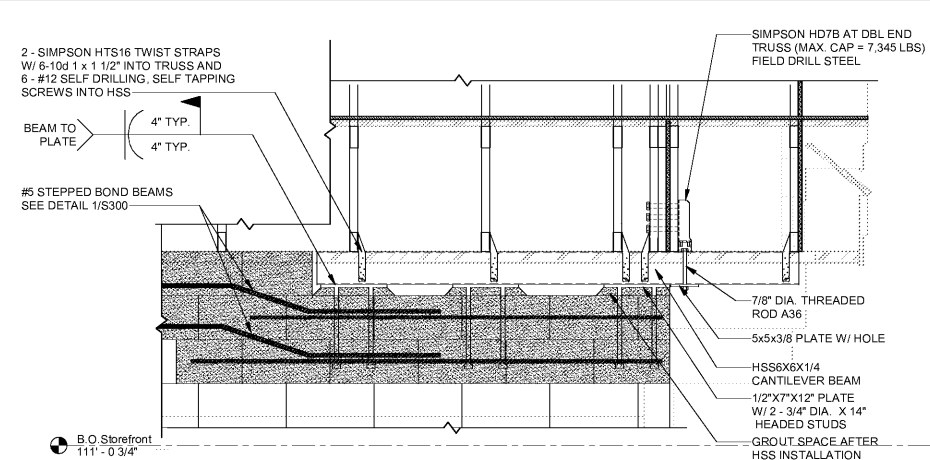
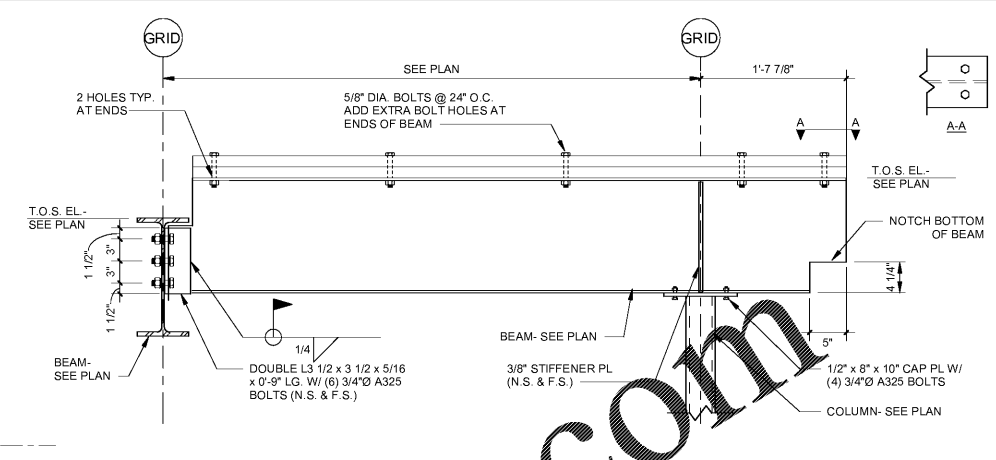


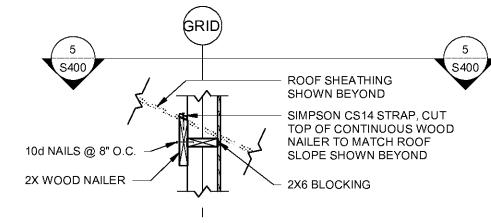
1 CANTILEVER BEAM DETAIL
3/4" = 1'-0"



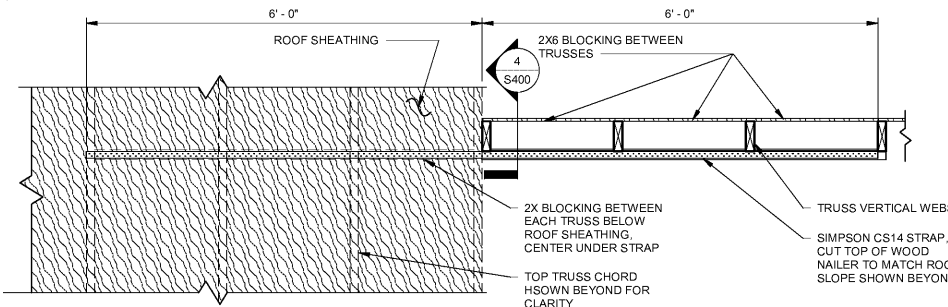
2 TYP. TRUSS OUTRIGGER DETAIL
3/4" = 1'-0"



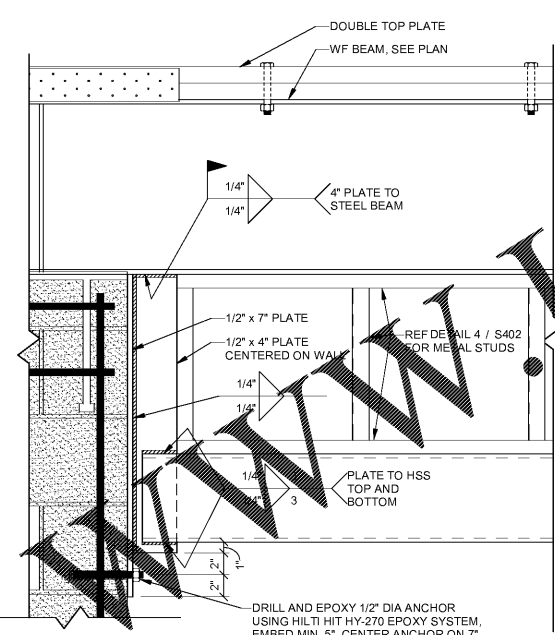
3 CANTILEVER BEAM AT STOREFRONT CONN. DETAIL
1" = 1'-0"



4 SECTION ROOF STEP - CS14 STRAP
3/4" = 1'-0"

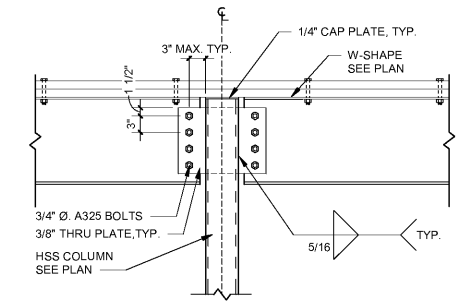


5 CS14 STRAP PLAN DETAIL
3/4" = 1'-0"

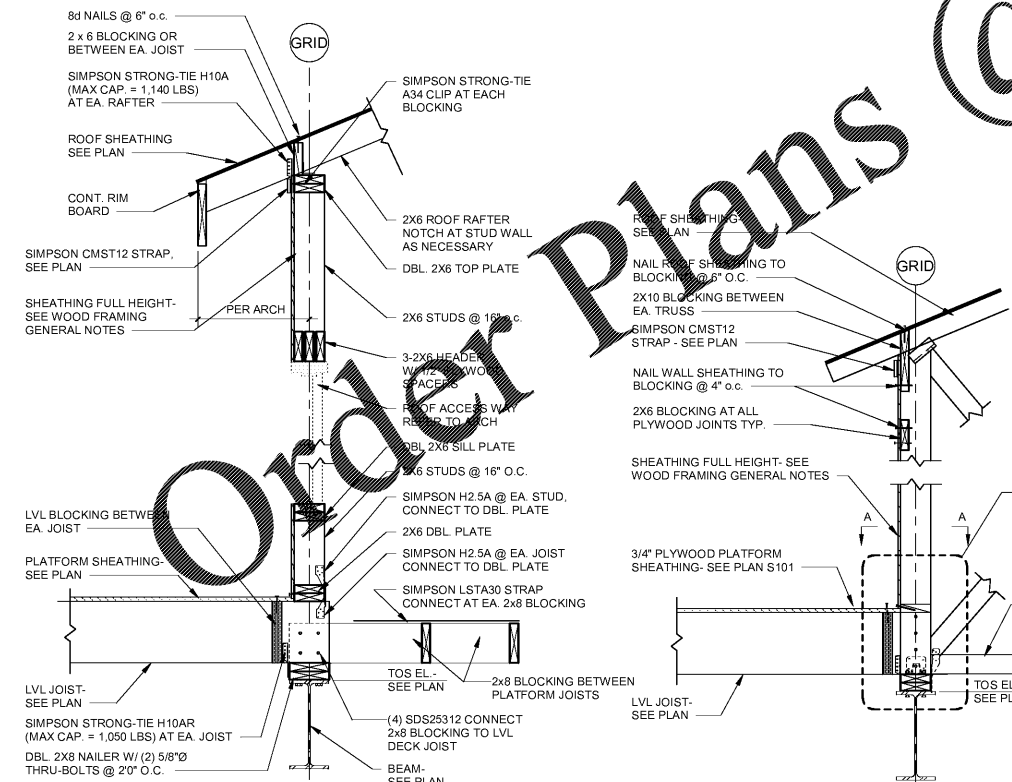


6 LOW LINTEL TO BEAM ON CMU END CONNECTION DETAIL
1/2" = 1'-0"

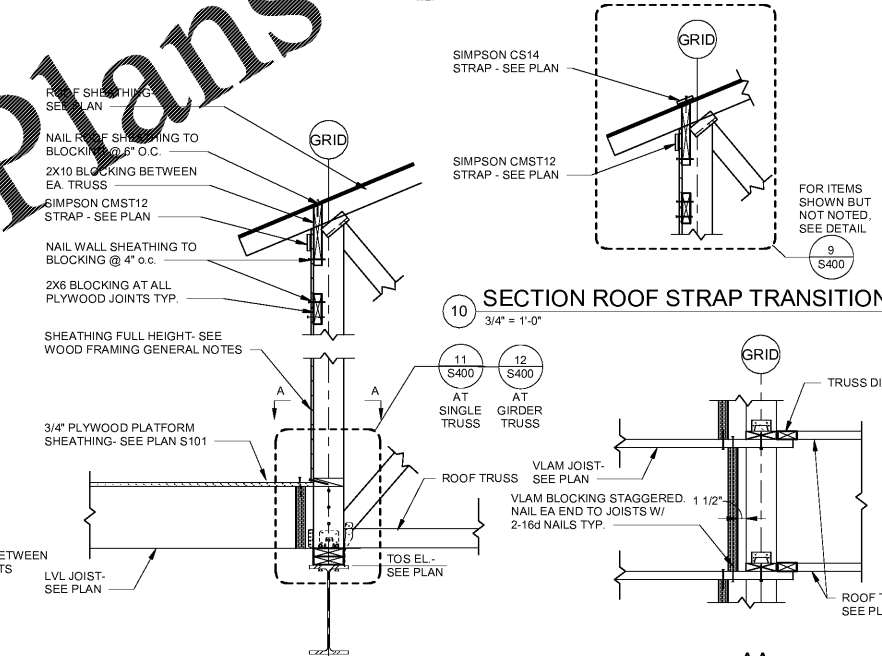
BEAM SIZE	BOLT SIZE & TYPE	# OF BOLTS	LENGTH OF PLATE IF REQ'D
W14	3/4" Ø A325	3	9"
W16	3/4" Ø A325	4	12"
W18	3/4" Ø A325	5	15"



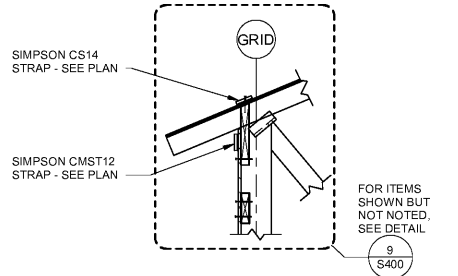
7 W-SHAPE TO STEEL COLUMN CON. DETAIL
3/4" = 1'-0"



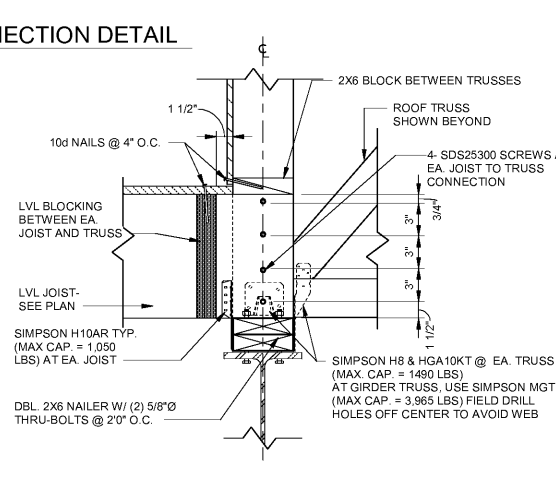
8 SECTION AT SLOPED ROOF RAFTER ON STUD WALL
3/4" = 1'-0"



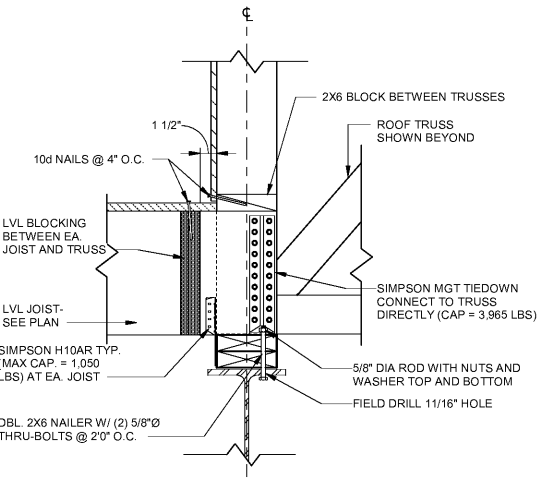
9 SECTION LVL JOIST TO ROOF TRUSS CONNECTION
3/4" = 1'-0"



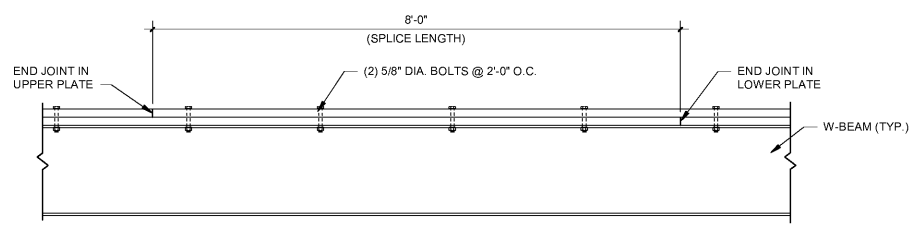
10 SECTION ROOF STRAP TRANSITION
3/4" = 1'-0"



11 ENLARGE LVL TO TRUSS CONN. DETAIL
1 1/2" = 1'-0"



12 CONNECTION @ GIRDER TRUSS
1 1/2" = 1'-0"



13 TOP PLATE LAP SPLICE DETAIL
3/4" = 1'-0"

HFA
HARRISON FRENCH & ASSOCIATES, LTD.
508.528.0770
31 Hayward Street
Franklin, Massachusetts 02038
www.hfa-ac.com

STIPULATION FOR REUSE
THIS DRAWING WAS PREPARED FOR THE PROJECT AND SITE SPECIFIC CONDITIONS. IT IS NOT TO BE REUSED FOR ANY OTHER PROJECT WITHOUT THE WRITTEN PERMISSION OF HARRISON FRENCH & ASSOCIATES, LTD. ENGINEERS' REPRODUCTION OF THIS PROJECT IS NOT AUTHORIZED AND MAY BE CONSIDERED AS A VIOLATION OF THE LAW.

Cumberland
Store # TBD
VSH # TBD
Oracle # FL8312
SUNRISE & NW 4TH AVE
FORT LAUDERDALE, FL 33311
JOB NUMBER: 41-17-06410

ISSUE BLOCK

1	90% CDs	05/10/19
2	100% SET	06/14/19
3	90% AIM 4.0	08/14/19
4	100% AIM 4.0	09/11/19

CHECKED BY: GGB
DRAWN BY: AHM

PROFESSIONAL ENGINEER
STATE OF FLORIDA
No. 63661
2019.09.11 18:00:28-0400
HARRISON FRENCH & ASSOCIATES, LTD.
C/OA 426A21

ROOF FRAMING
DETAIL AND
SECTIONS

SHEET: S400