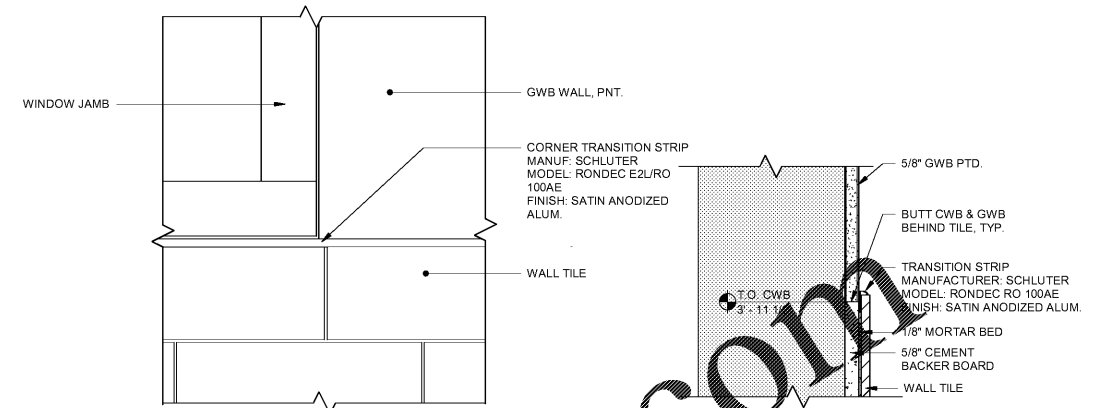
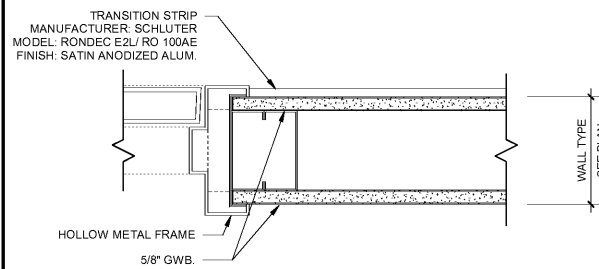


18 WALL TILE @ TILE FRP  
1 1/2" = 1'-0"

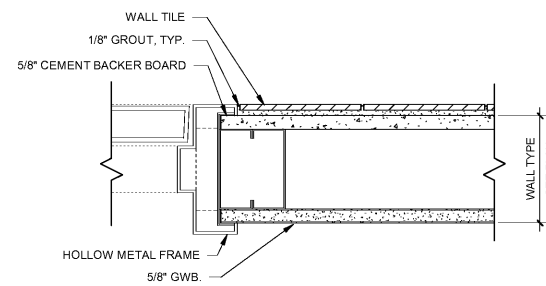


17 TRANSITION DETAIL @ JAMB (ELEVATION)  
3" = 1'-0"

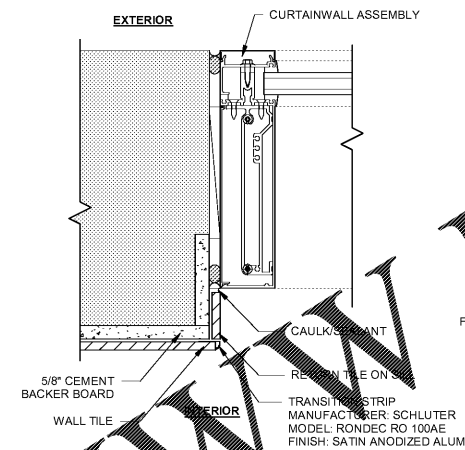
16 TRANSITION DETAIL @ WAINSCOT  
3" = 1'-0"



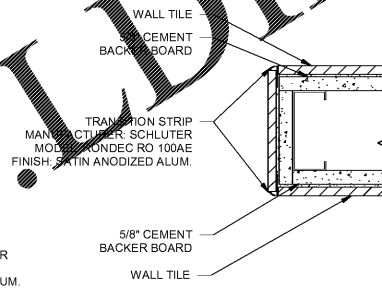
15 TRANSITION DETAIL @ INTERIOR DOOR JAMB (HIGH)  
3" = 1'-0"



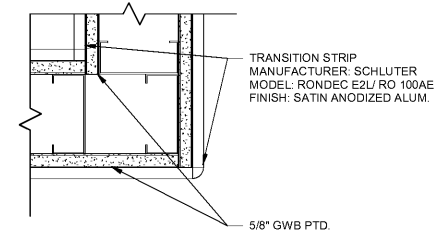
14 TRANSITION DETAIL @ INTERIOR DOOR JAMB (LOW)  
3" = 1'-0"



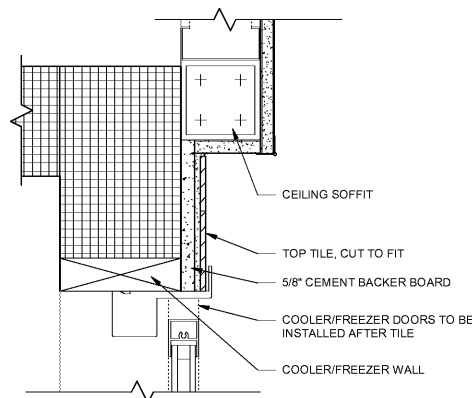
13 WALL TILE DETAIL @ CURTAIN JAMB  
3" = 1'-0"



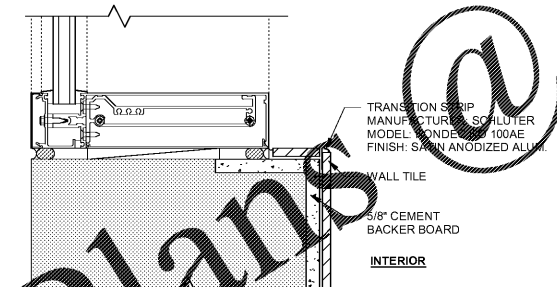
12 WALL TILE DETAIL @ TILE-TO-TILE  
3" = 1'-0"



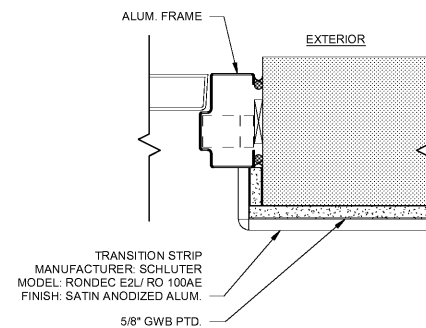
11 TRANSITION DETAIL @ TILE-TO-TILE (HIGH)  
3" = 1'-0"



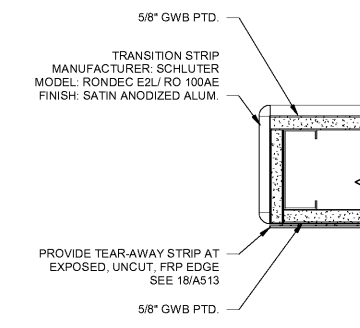
10 WALL TILE DETAIL @ COOLER/FREEZER DOOR HEAD (HIGH)  
3" = 1'-0"



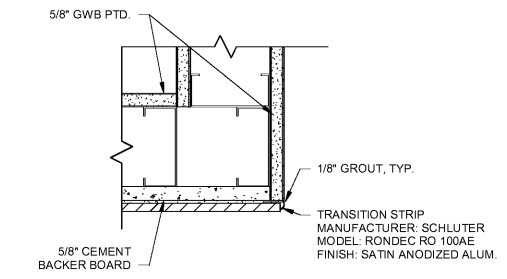
9 WALL TILE DETAIL @ CURTAINWALL (HIGH)  
3" = 1'-0"



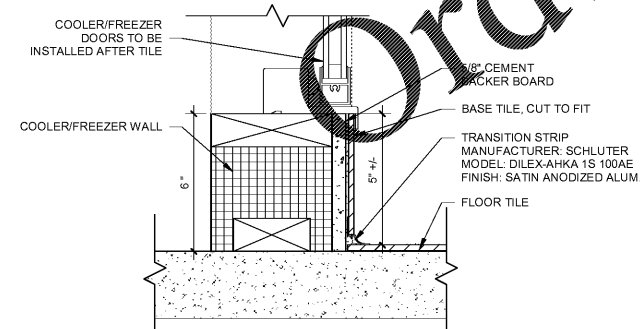
8 WALL TILE CORNER DETAIL @ EXTERIOR DOOR JAMB (HIGH)  
3" = 1'-0"



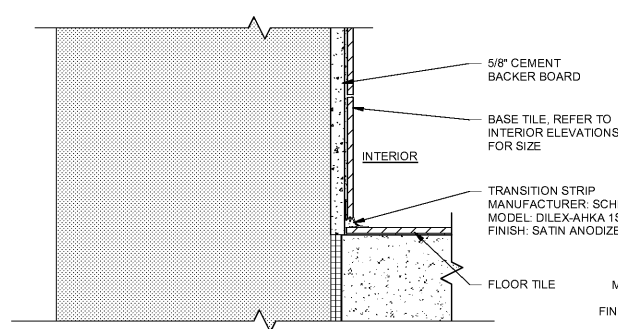
7 TRANSITION DETAIL @ TILE-TO-FRP (HIGH)  
3" = 1'-0"



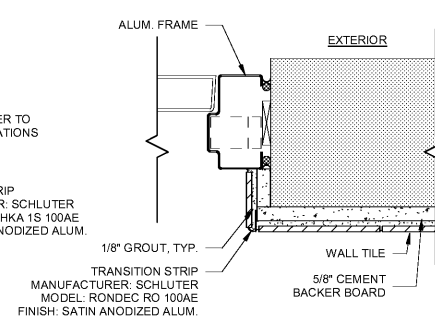
6 WALL TILE CORNER DETAIL @ TILE-TO-GYP (HIGH)  
3" = 1'-0"



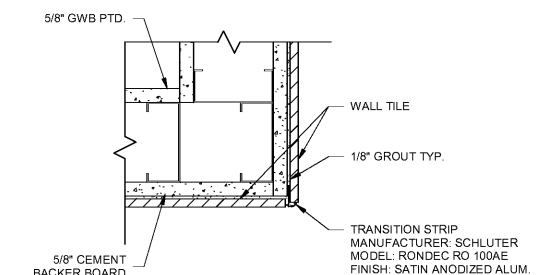
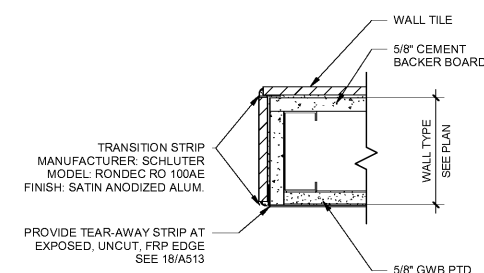
5 BASE TILE DETAIL @ COOLER/FREEZER DOOR (LOW)  
3" = 1'-0"



4 BASE TILE DETAIL @ FLOOR (LOW)  
3" = 1'-0"



3 WALL TILE CORNER DETAIL @ EXTERIOR DOOR JAMB (LOW) 2 WALL TILE DETAIL @ TILE-TO-FRP (LOW)  
3" = 1'-0"



1 WALL TILE CORNER DETAIL @ TILE-TO-TILE (LOW)  
3" = 1'-0"

STIPULATION FOR REUSE  
THIS DOCUMENT IS THE PROPERTY OF HARRISON FRENCH & ASSOCIATES, LTD. AND IS NOT TO BE REPRODUCED, COPIED, OR TRANSMITTED IN ANY FORM OR BY ANY MEANS, ELECTRONIC OR MECHANICAL, WITHOUT THE WRITTEN PERMISSION OF HARRISON FRENCH & ASSOCIATES, LTD. THE PROJECT SITE OR AT LATER TIME. THE INFORMATION CONTAINED HEREIN IS FOR THE EXCLUSIVE USE OF THE CLIENT AND IS NOT TO BE REPRODUCED OR TRANSMITTED IN ANY FORM OR BY ANY MEANS, ELECTRONIC OR MECHANICAL, WITHOUT THE WRITTEN PERMISSION OF HARRISON FRENCH & ASSOCIATES, LTD.

ISSUE BLOCK	
90% CDs	05/10/19
100% SET	06/14/19
90% AIM4.0	08/14/19
100% AIM 4.0	09/11/19

CHECKED BY: JEO  
DRAWN BY: ZC  
DOCUMENT DATE: 09/11/19

STATE OF FLORIDA  
JAMES E. CHEN  
Professional Engineer  
No. 15000  
Date: 2019 08 13 17:06:28-04'00"  
James E. Chen, Architect  
License #20000019  
Harrison French & Associates, Ltd.  
CFLA 99-22890-1102