

STIPULATION FOR REUSE
 THESE DRAWINGS ARE THE PROPERTY OF HARRISON FRENCH & ASSOCIATES, LTD. AND ARE NOT TO BE REPRODUCED, COPIED, OR TRANSMITTED IN ANY FORM OR BY ANY MEANS, ELECTRONIC OR MECHANICAL, INCLUDING PHOTOCOPYING, RECORDING, OR BY ANY INFORMATION STORAGE AND RETRIEVAL SYSTEM, WITHOUT THE WRITTEN PERMISSION OF HARRISON FRENCH & ASSOCIATES, LTD. ANY REUSE OF THESE DRAWINGS FOR A PROJECT OTHER THAN THAT SPECIFICALLY IDENTIFIED ON THESE DRAWINGS IS UNAUTHORIZED AND MAY BE CONTRARY TO APPLICABLE LAW.

Cumberland
 ARCHITECTS
 SUNRISE & 4TH
 FORT LAUDERDALE, FL 33304
 JOB NUMBER: 41-17-00410

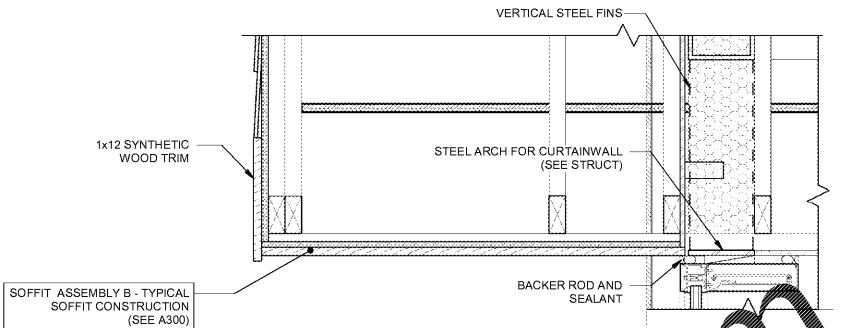
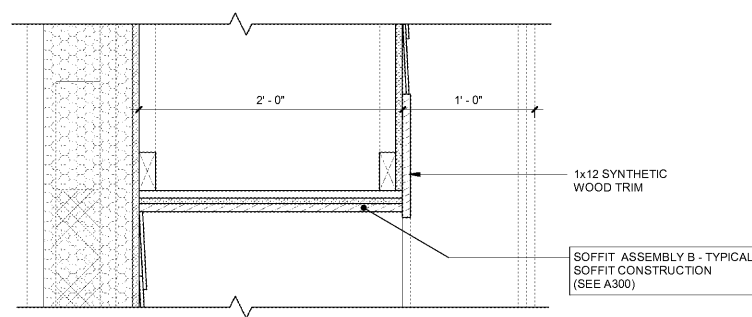
ISSUE BLOCK	
90% CDs	05/10/19
100% SET	06/14/19
90% AIM4.0	08/14/19
100% AIM 4.0	09/11/19

CHECKED BY: JEO
 DRAWN BY: ZC
 DOCUMENT DATE: 09/11/19

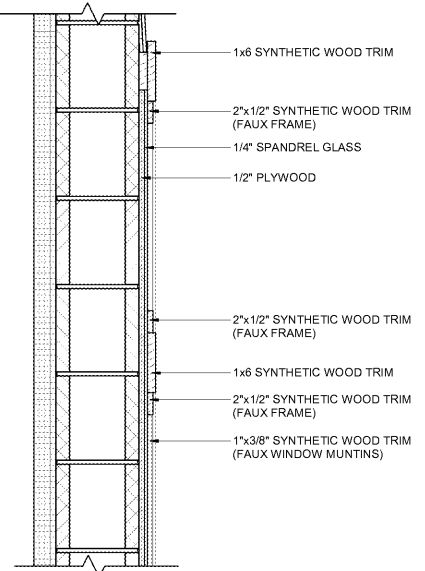
STATE OF FLORIDA
 PROFESSIONAL SEAL
 ARCHITECT
 JAMES E. CHURCH
 No. 11111
 Date: 2019/09/11 17:08:18-04'00'

EXTERIOR DETAILS

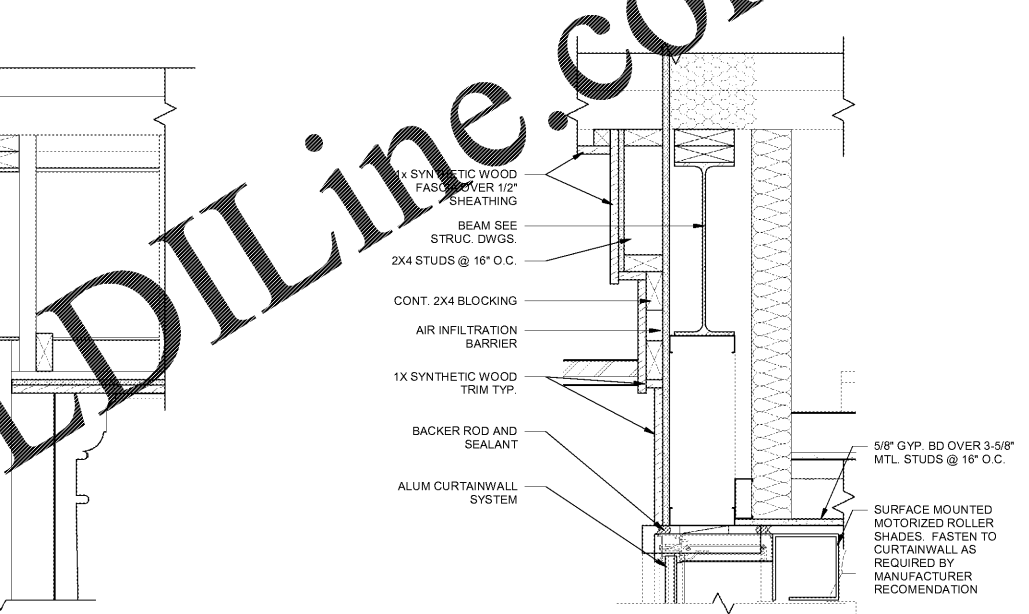
SHEET: A502



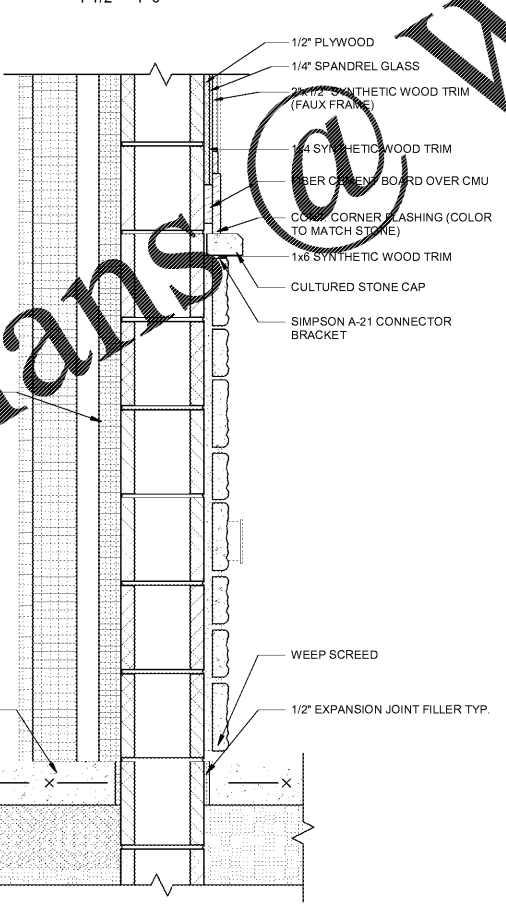
10 SOFFIT @ SIDE GABLE WALL
 1 1/2" = 1'-0"



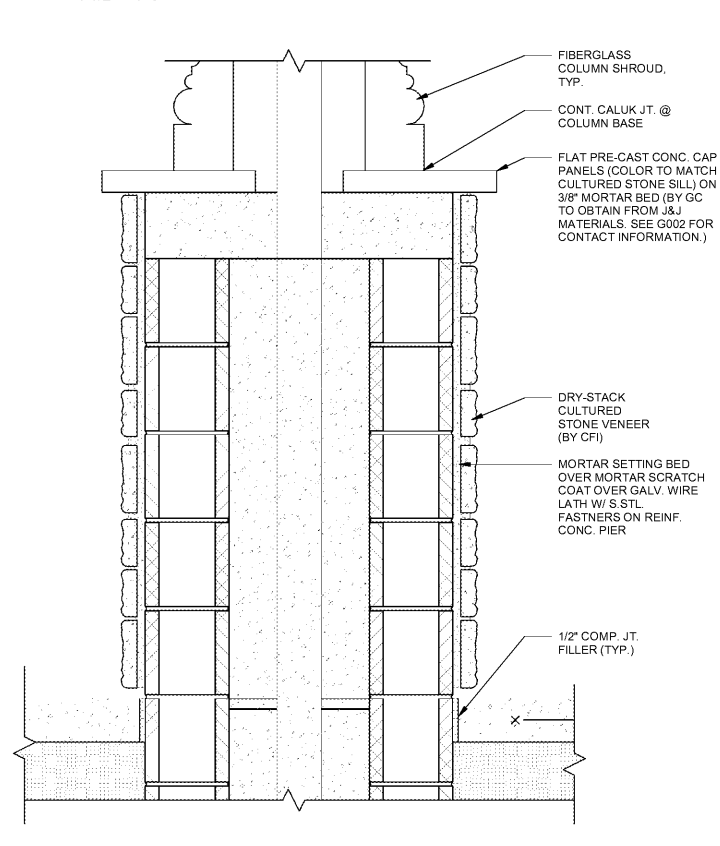
9 CURVED SOFFIT @ CURTAIN WALL
 1 1/2" = 1'-0"



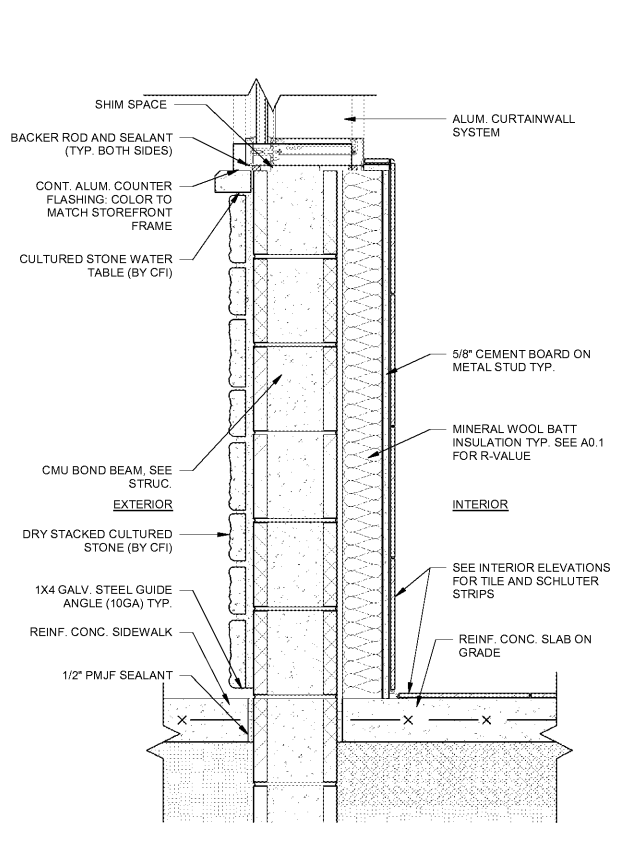
7 FAUX WINDOW HEADER
 1 1/2" = 1'-0"



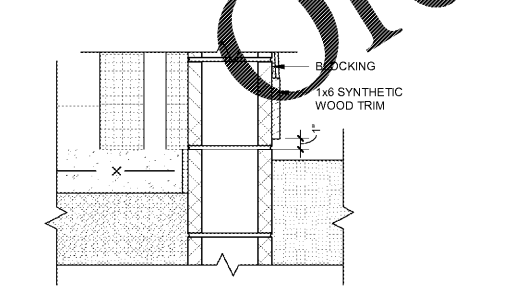
6 TOP OF COLUMN @ SIDE ENTRANCE
 1 1/2" = 1'-0"



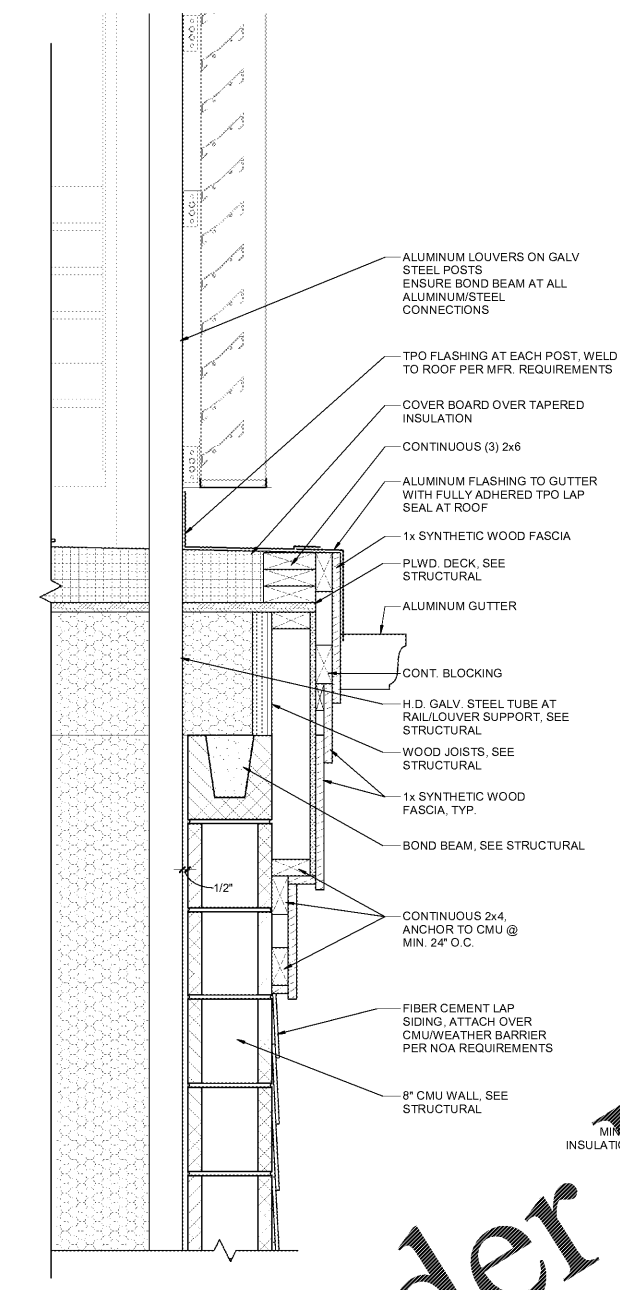
5 CURTAIN WALL HEADER
 1 1/2" = 1'-0"



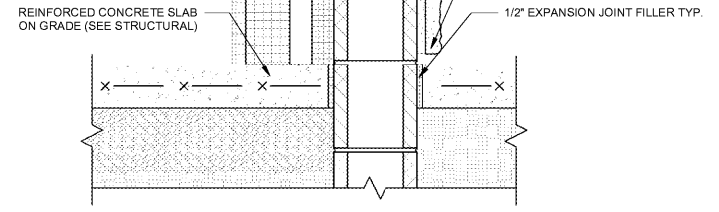
8 EAVE FRAMING @ FLAT ROOF
 1 1/2" = 1'-0"



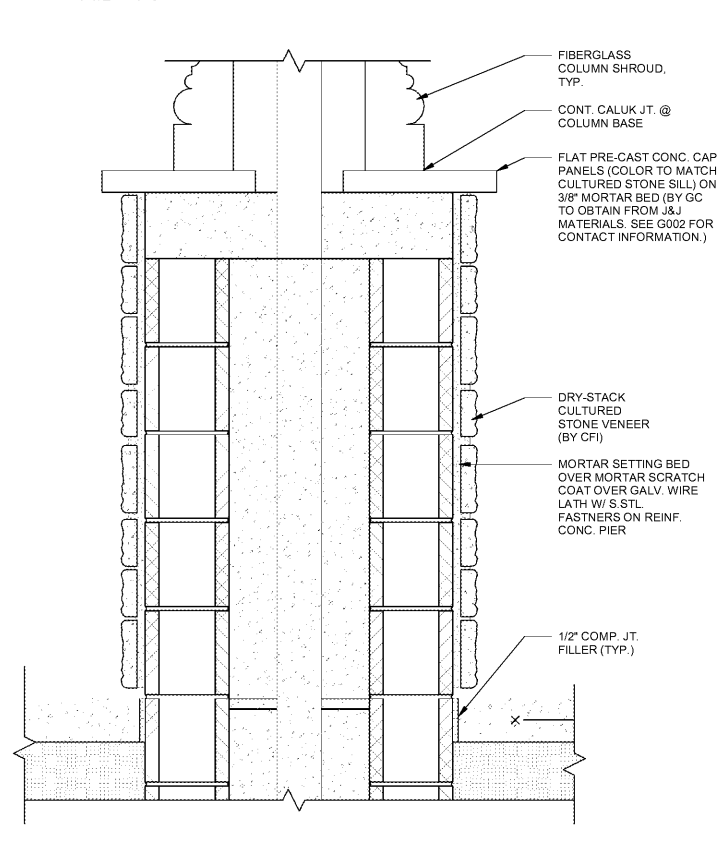
4 TYPICAL EXT. REAR WALL BASE
 1 1/2" = 1'-0"



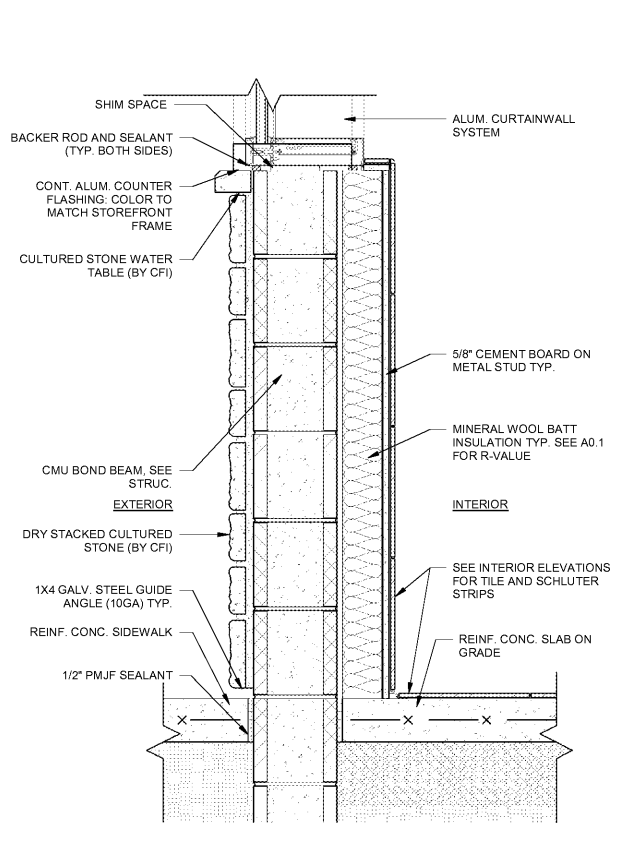
3 FAUX WINDOW SILL DETAIL
 1 1/2" = 1'-0"



2 COLUMN BASE @ SIDE ENTRANCE
 1 1/2" = 1'-0"



1 CURTAIN WALL SILL
 1 1/2" = 1'-0"



9/1/2019 3:12:28 PM
 C:\Users\cmfr\OneDrive\Documents\2019 Rev\Projects\41-17-00410_A502.dwg
 41-17-00410_A502.dwg
 41-17-00410_A502.dwg

Order Plans @ www.LDILine.com