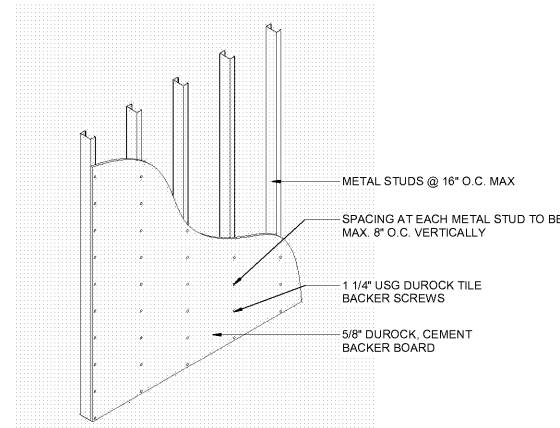
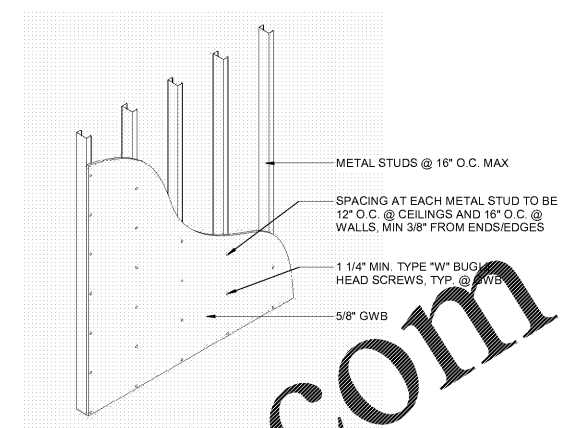


3 TYPICAL METAL STUD SOFFIT FRAMING  
1" = 1'-0"

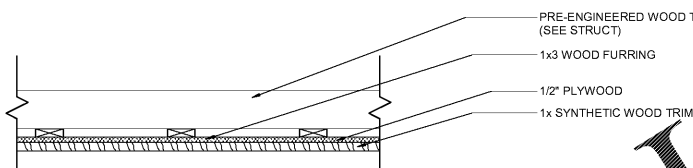


2 DETAIL @ CEMENT BACKER ATTACHMENT  
1" = 1'-0"



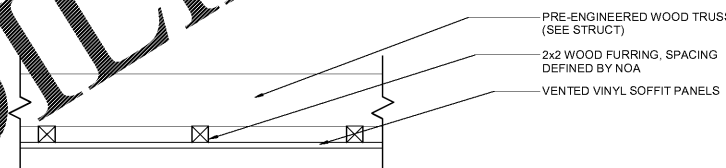
1 DETAIL @ GWB ATTACHMENT  
1" = 1'-0"

SOFFIT ASSEMBLY B



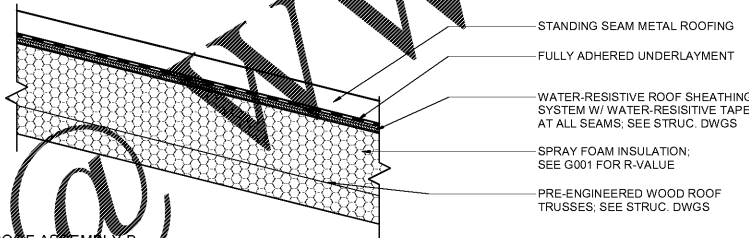
5 SOFFIT ASSEMBLY B  
1 1/2" = 1'-0"

SOFFIT ASSEMBLY A



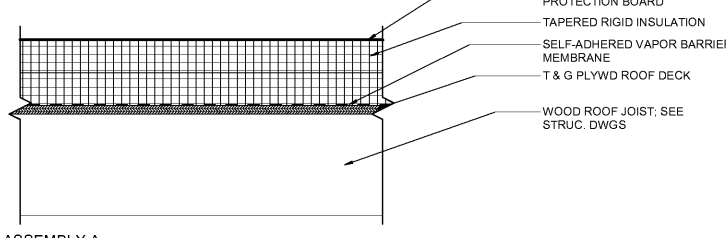
4 SOFFIT ASSEMBLY A  
1 1/2" = 1'-0"

ROOF ASSEMBLY B



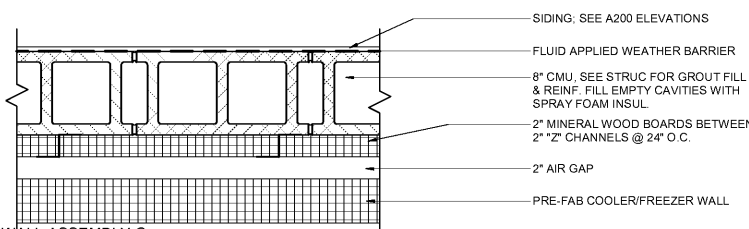
7 ROOF ASSEMBLY B  
1 1/2" = 1'-0"

ROOF ASSEMBLY A



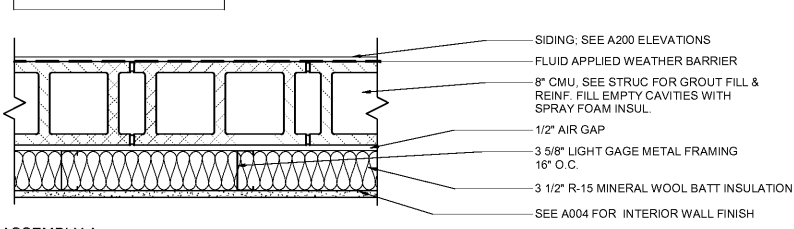
6 ROOF ASSEMBLY A  
1 1/2" = 1'-0"

EXTERIOR WALL ASSEMBLY C - HIGH



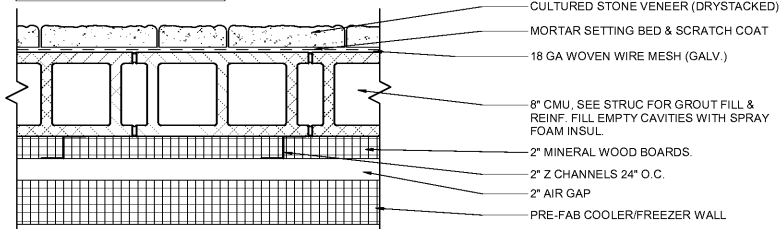
9 WALL ASSEMBLY C  
1 1/2" = 1'-0"

EXTERIOR WALL ASSEMBLY A - HIGH



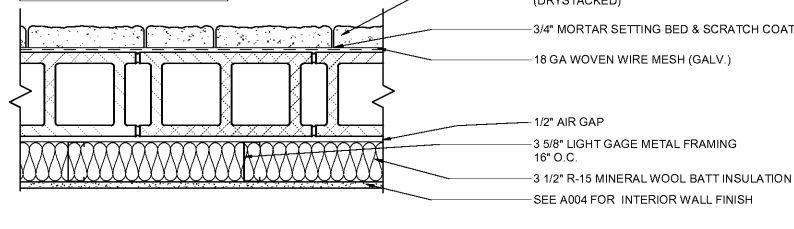
8 WALL ASSEMBLY A  
1 1/2" = 1'-0"

EXTERIOR WALL ASSEMBLY C - LOW



11 WALL ASSEMBLY D  
1 1/2" = 1'-0"

EXTERIOR WALL ASSEMBLY A - LOW



10 WALL ASSEMBLY B  
1 1/2" = 1'-0"

Order Plans @

WWW.LDILine.com

**HFA**  
HARRISON FRENCH & ASSOCIATES, LTD.  
508.528.0770  
31 Hayward Street  
Franklin, Massachusetts 02038  
www.hfa-ac.com

STIPULATION FOR REUSE  
THIS DOCUMENT IS THE PROPERTY OF HARRISON FRENCH & ASSOCIATES, LTD. IT IS TO BE USED ONLY FOR THE PROJECT AND SITE SPECIFIC TO WHICH IT WAS PREPARED. IT IS NOT TO BE REPRODUCED, COPIED, OR TRANSMITTED IN ANY FORM OR BY ANY MEANS, ELECTRONIC OR MECHANICAL, INCLUDING PHOTOCOPYING, RECORDING, OR BY ANY INFORMATION STORAGE AND RETRIEVAL SYSTEM, WITHOUT THE WRITTEN PERMISSION OF HARRISON FRENCH & ASSOCIATES, LTD. ANY UNAUTHORIZED REUSE OR MODIFICATION OF THIS DOCUMENT IS PROHIBITED AND WILL BE CONSIDERED A VIOLATION OF THE PROFESSIONAL ETHICS OF THE REGISTERED PROFESSIONAL ENGINEER AND ARCHITECT. HARRISON FRENCH & ASSOCIATES, LTD. AND ITS ENGINEERS AND ARCHITECTS ARE NOT RESPONSIBLE FOR ANY DAMAGE OR INJURY TO PERSONS OR PROPERTY ARISING FROM THE USE OF THIS DOCUMENT FOR ANY PURPOSE OTHER THAN THAT FOR WHICH IT WAS PREPARED.

**Cumberland**  
SUNRISE & 4TH  
FORT LAUDERDALE, FL 33304  
JOB NUMBER: 41-17-00410

| ISSUE BLOCK  |          |
|--------------|----------|
| 90% CDs      | 05/10/19 |
| 100% SET     | 06/14/19 |
| 90% AIM 4.0  | 08/14/19 |
| 100% AIM 4.0 | 09/11/19 |
|              |          |
|              |          |
|              |          |

CHECKED BY: JEO  
DRAWN BY: ZC  
DOCUMENT DATE: 09/11/19

STATE OF FLORIDA  
JAMES E. CHILKOTI  
ARCHITECT  
AS37371  
Date: 2019/08/14 11:18:50 -0400  
James E. Chilkoiti, Architect  
11000 SW 43rd Street  
Harrison French & Associates, LTD  
Coral Gables, FL 33134

WALL & ROOF ASSEMBLIES  
SHEET: A300

9/11/2019 3:30:08 PM  
C:\Users\chilkoiti\OneDrive\Documents\2019 Revit\Projects\41-17-00410\A300.dwg  
A300.dwg  
A300.dwg  
A300.dwg