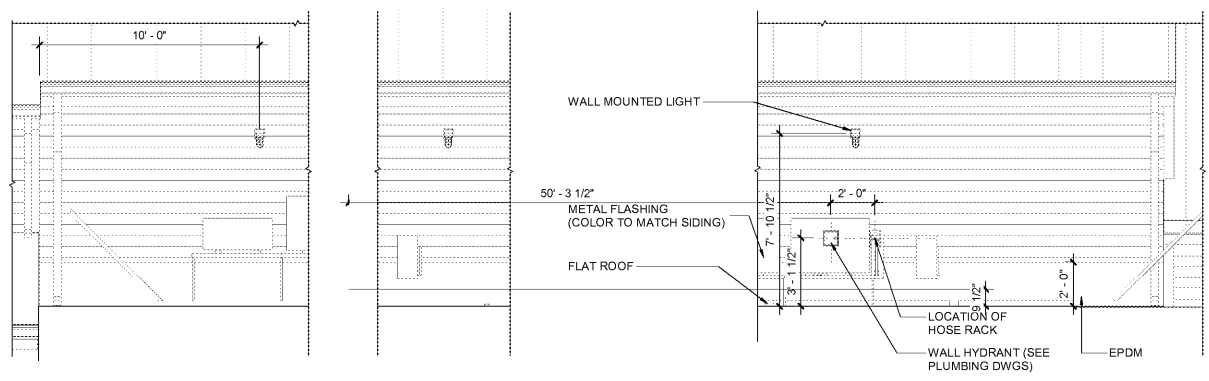
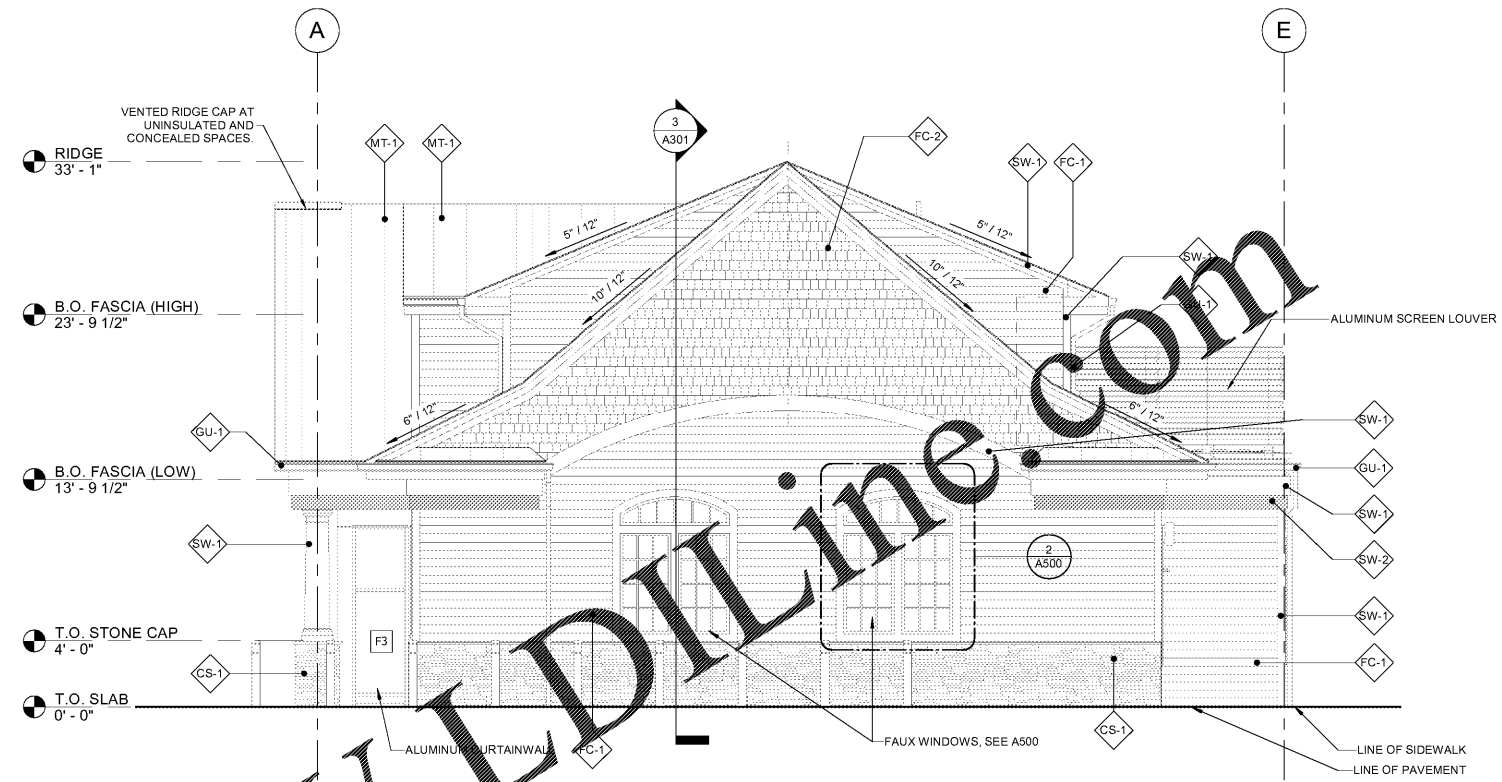


STIPULATION FOR REUSE  
 THESE DRAWINGS ARE PREPARED FOR THE LANDSCAPE ARCHITECTURE PROJECT ONLY. ANY REUSE OF THESE DRAWINGS FOR ANY OTHER PROJECT WITHOUT THE WRITTEN PERMISSION OF HARRISON FRENCH & ASSOCIATES, LTD. IS STRICTLY PROHIBITED. THE USER OF THESE DRAWINGS SHALL BE RESPONSIBLE FOR OBTAINING ALL NECESSARY PERMITS AND FOR THE ACCURACY OF THE INFORMATION PROVIDED. HARRISON FRENCH & ASSOCIATES, LTD. SHALL NOT BE RESPONSIBLE FOR ANY ERRORS OR OMISSIONS IN THESE DRAWINGS OR FOR ANY CONSEQUENCES ARISING THEREFROM. UNAUTHORIZED REUSE OR MODIFICATION OF THESE DRAWINGS IS PROHIBITED AND MAY BE CONSIDERED A VIOLATION OF APPLICABLE LAWS.

ISSUE BLOCK	
90% CDs	05/10/19
100% SET	06/14/19
90% AIM4.0	08/14/19
100% AIM 4.0	09/11/19

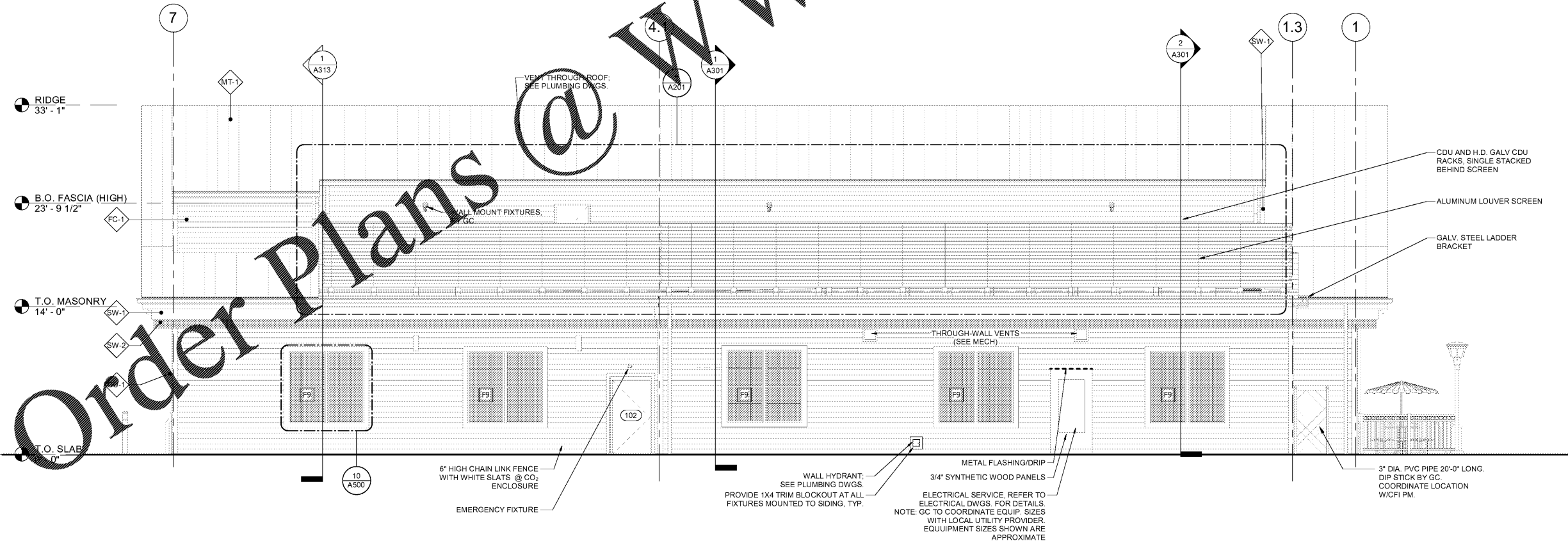
CHECKED BY: JEO  
 DRAWN BY: ZC  
 DOCUMENT DATE: 09/11/19

STATE OF FLORIDA  
 JAMES E. OWENS  
 ARCHITECT  
 ARS3731  
 Date: 2019/09/11/19 13:04:00  
 James E. Owens, Architect  
 License #43822019  
 Harrison French & Associates, LTD  
 CCA #19-2289011203



3 ACCESS HATCH ELEVATION  
 1/4" = 1'-0"

2 EAST ELEVATION  
 3/16" = 1'-0"



1 SOUTH ELEVATION  
 3/16" = 1'-0"

9/11/2019 3:30:28 PM  
 C:\Users\cmf\OneDrive\Documents\2019 Revit Projects\41-17-00410\_AIR\A201.dwg (A201.dwg) [P] [S] [D] [E] [A] [M] [L] [T] [R] [I] [B] [E] [R] [E] [D] [I] [N] [G] [S]