

GENERAL NOTES

- ALL SIDEWALK DETAILS SHOWN ON THIS SHEET APPLY TO ALL SIDEWALKS THAT ARE ADJACENT TO BUILDING.

HFA
 PROFESSIONAL ARCHITECT
 HARRISON FRENCH & ASSOCIATES, LTD.
 508.528.0770
 31 Hayward Street
 Franklin, Massachusetts 02038
 www.hfa-ac.com

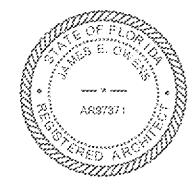
STIPULATION FOR REUSE
 THE INFORMATION CONTAINED HEREIN IS THE PROPERTY OF HARRISON FRENCH & ASSOCIATES, LTD. (HFA) AND IS NOT TO BE REPRODUCED, COPIED, OR TRANSMITTED IN ANY FORM OR BY ANY MEANS, ELECTRONIC OR MECHANICAL, INCLUDING PHOTOCOPYING, RECORDING, OR BY ANY INFORMATION STORAGE AND RETRIEVAL SYSTEM, WITHOUT THE WRITTEN PERMISSION OF HFA. THE PROJECT SITE OR AT A LATER TIME. THE INFORMATION CONTAINED HEREIN IS THE PROPERTY OF HARRISON FRENCH & ASSOCIATES, LTD. (HFA) AND IS NOT TO BE REPRODUCED, COPIED, OR TRANSMITTED IN ANY FORM OR BY ANY MEANS, ELECTRONIC OR MECHANICAL, INCLUDING PHOTOCOPYING, RECORDING, OR BY ANY INFORMATION STORAGE AND RETRIEVAL SYSTEM, WITHOUT THE WRITTEN PERMISSION OF HFA. UNAUTHORIZED REUSE OR MODIFICATION OF THIS INFORMATION IS PROHIBITED AND WILL BE CONSIDERED A VIOLATION OF THE PROFESSIONAL ARCHITECT'S ETHICS AND MAY BE SUBJECT TO LEGAL ACTION.

Cumberland
 ARCHITECTS
 SUNRISE & 4TH
 FORT LAUDERDALE, FL 33304
 JOB NUMBER: 41-17-00410

ISSUE BLOCK

90% CDs	05/10/19
100% SET	06/14/19
90% AIM4.0	08/14/19
100% AIM 4.0	09/11/19
Bulletin 3	11/08/19

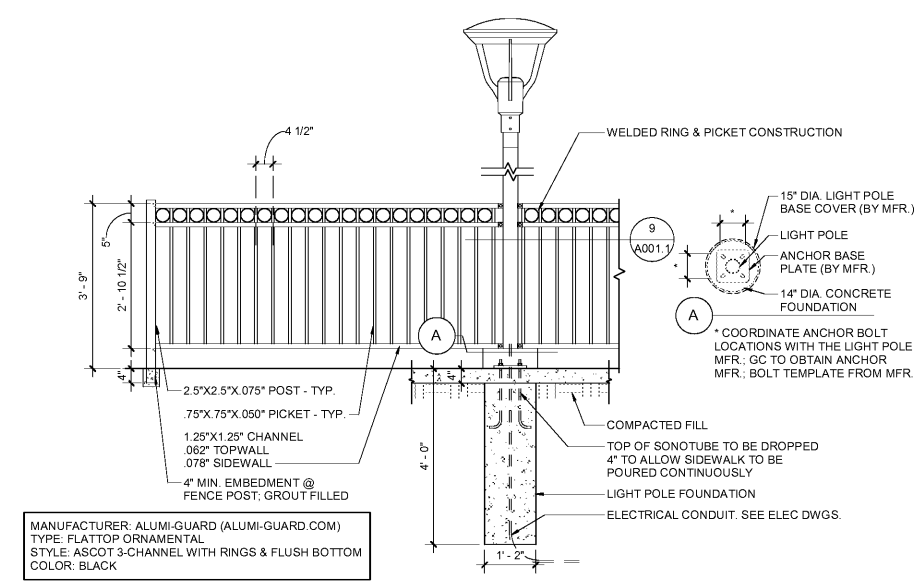
CHECKED BY: JEO
 DRAWN BY: ZC
 DOCUMENT DATE: 09/11/19



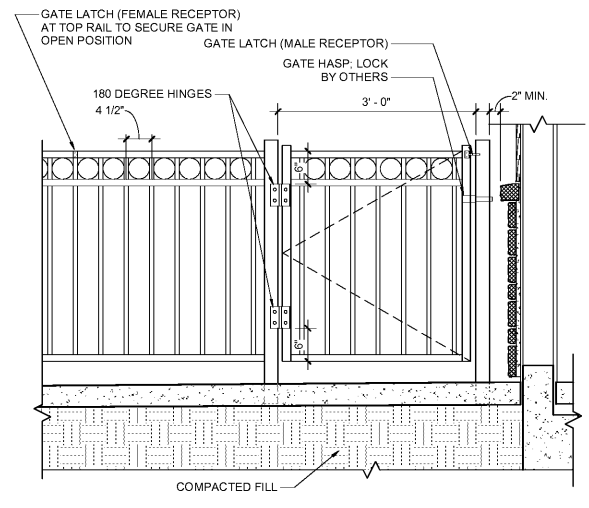
James E. O'Brien, Architect
 License #000000000
 Harrison French & Associates, LTD.
 31 Hayward Street
 Franklin, MA 02038

SIDEWALK DETAILS

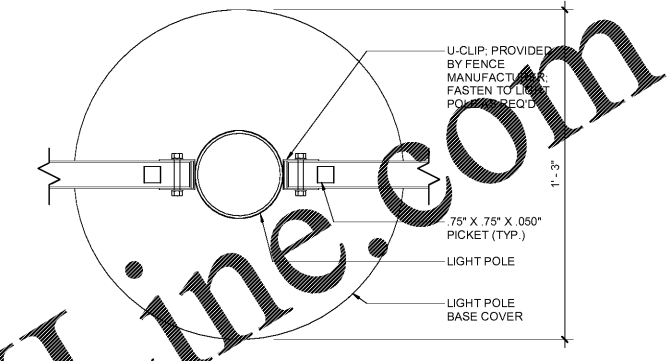
SHEET: A001.1



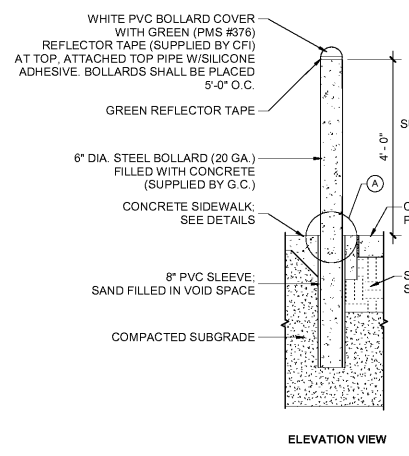
11 PATIO RAILING DETAIL
 1/2" = 1'-0"



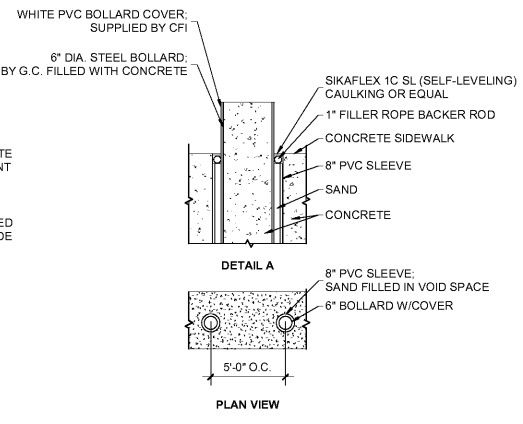
10 FENCE GATE ELEVATION
 3/4" = 1'-0"



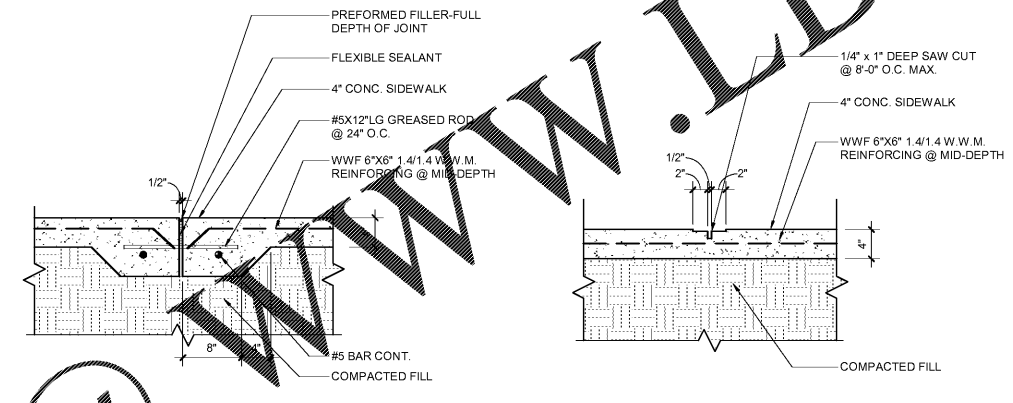
9 PLAN DETAIL @ LIGHT POLE
 3\"/>



8 BOLLARD SET IN CONCRETE WALK
 1/2" = 1'-0"

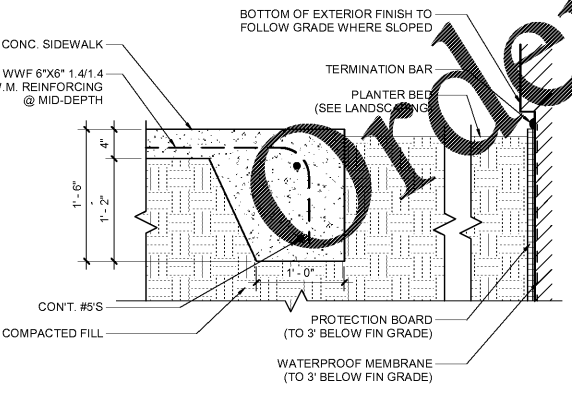


DETAIL A

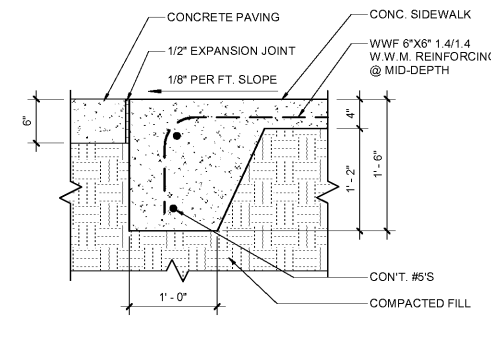


5 DETAIL @ SIDEWALK EXPANSION JOINT
 1\"/>

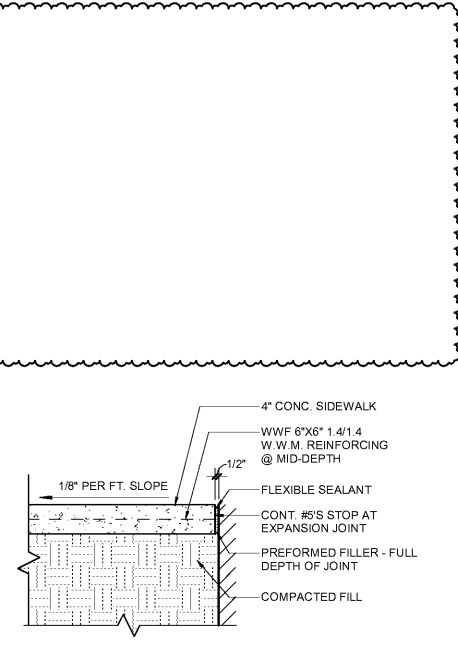
6 DETAIL @ SIDEWALK CONTROL JOINT
 1\"/>



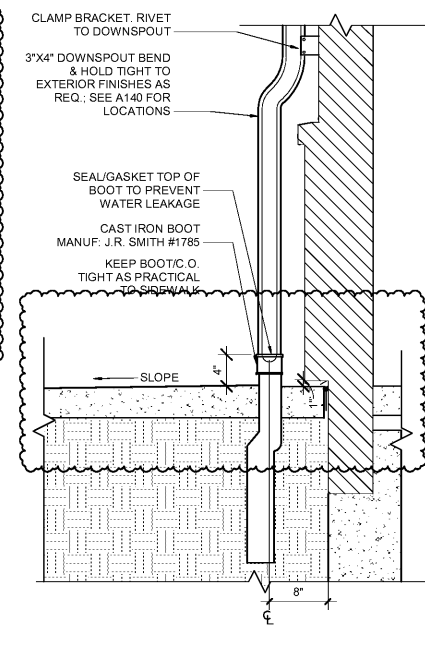
5 DETAIL @ SIDEWALK & PLANTER BED
 1\"/>



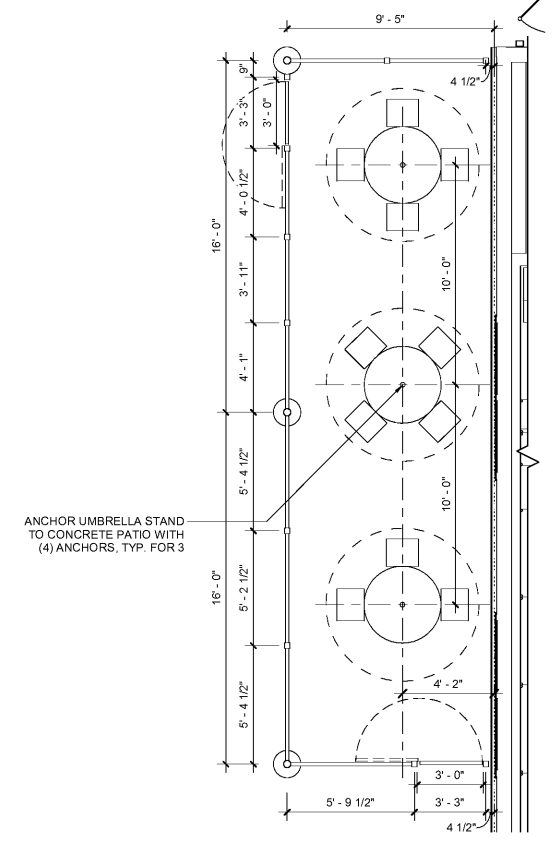
4 DETAIL @ SIDEWALK & FLUSH CURB
 1\"/>



3 DETAIL @ SIDEWALK/BUILDING WALL
 1\"/>



2 DETAIL SECTION @ GUTTER/DS CONNECTION
 1\"/>



1 ENLARGED PATIO PLAN
 1/4\"/>

11/12/2019 10:30:24 AM
 C:\Users\jgibson\OneDrive\Documents\2019\Revit\Projects\41-17-00410\A001.1.dwg
 41-17-00410.dwg

Order Plans @