

BILL OF MATERIALS

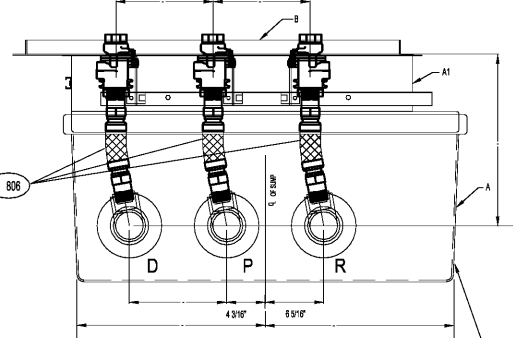
NO.	QTY.	PART DESCRIPTION:	(Z XXXXX)
A1	1	7000 WYMAN-DIXON EED TOP	
B	1	F200 UPPER FRAME - SPECIAL	
C	3	ANCHOR BOLTS	
D	1	VULKEM SEALANT BRK1-7000-ADJ	

NO.	QTY.	PART DESCRIPTION:	(Z XXXXX)
F	3	F-30-TS	

NOTES

1. THIS DRAWING IS PROVIDED AS A GENERAL GUIDE TO THE INSTALLATION AND ALIGNMENT OF THE DISPENSER ISLAND AND IS ALLOWED-MANUAL. CHECK EVERY INSTALLATION UNDER THE RESPONSIBILITY OF THE INSTALLING CONTRACTOR TO CHECK PLANS AND PRODUCT DRAWINGS. FIELD VERIFY EXISTING HEIGHTS. INSTALL PER MANUFACTURER'S INSTALLATION MANUAL.

2. 8" DIA. FLEX AND FRP PIPE SHOWN FOR ILLUSTRATIVE PURPOSES.



01 TYPICAL DISPENSER SUMP ELEVATIONS
CFG14.6 SCALE: N.T.S.

FIBERGLASS DISPENSER SUMP

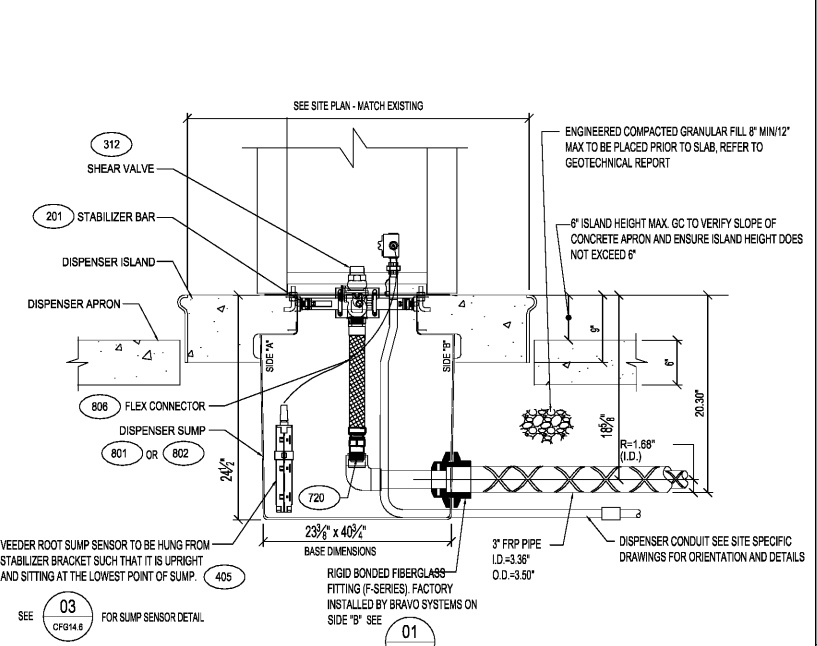
(3+0) BLENDER = 2 BONDED FITTINGS (801)

(3+1) BLENDER = 3 BONDED FITTINGS (802)

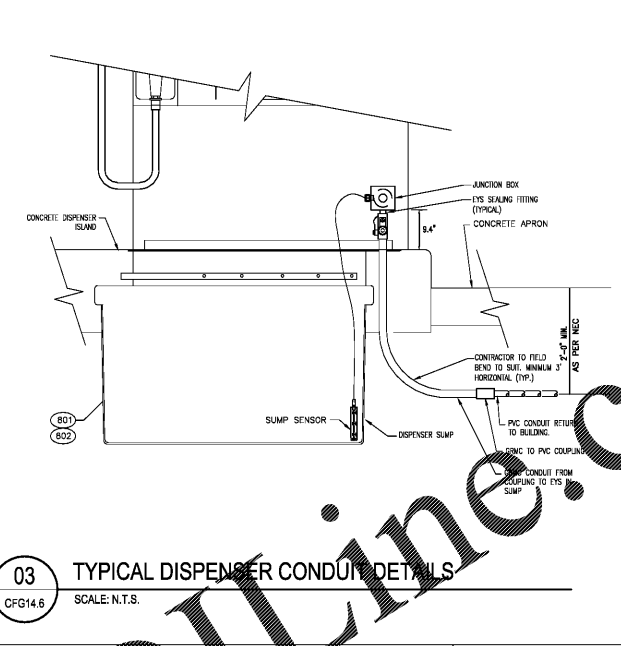
R = REGULAR

P = PREMIUM

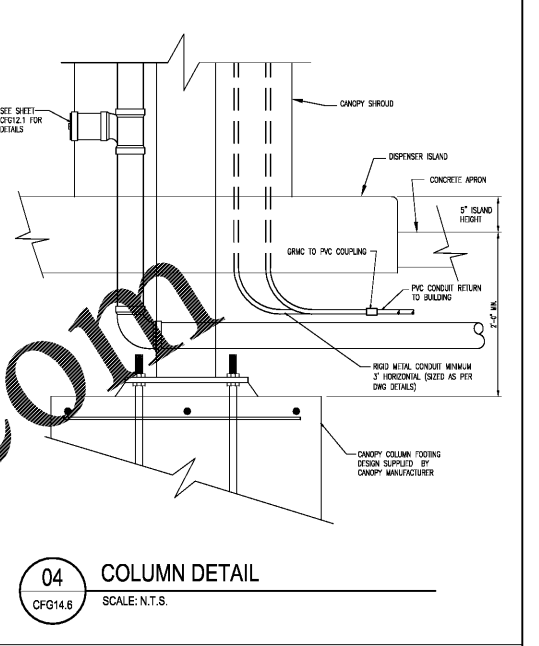
D = DIESEL (IF APPLICABLE)



02 TYPICAL DISPENSER SUMP DETAILS
CFG14.6 SCALE: N.T.S.



03 TYPICAL DISPENSER CONDUIT DETAILS
CFG14.6 SCALE: N.T.S.



04 COLUMN DETAIL
CFG14.6 SCALE: N.T.S.

*ALL FUELING LOW VOLTAGE WIRE TO BE SUPPLIED BY ELECTRICAL CONTRACTOR

CONDUIT #1

- DISPENSER DATA (COMMUNICATIONS) - OMNI WIRE G11802 (BELDIN WIRE 88760-18AWG IN FLORIDA)
- DISPENSER DATA (CARD READER) - OMNI WIRE G11802 (BELDIN WIRE 88760-18AWG IN FLORIDA)
- INTERCOM - OMNI WIRE G11802 (BELDIN WIRE 88760-18AWG IN FLORIDA)

CONDUIT #2

- VEEDER ROOT - OMNI WIRE G11802 (BELDIN WIRE 88760-18AWG IN FLORIDA)

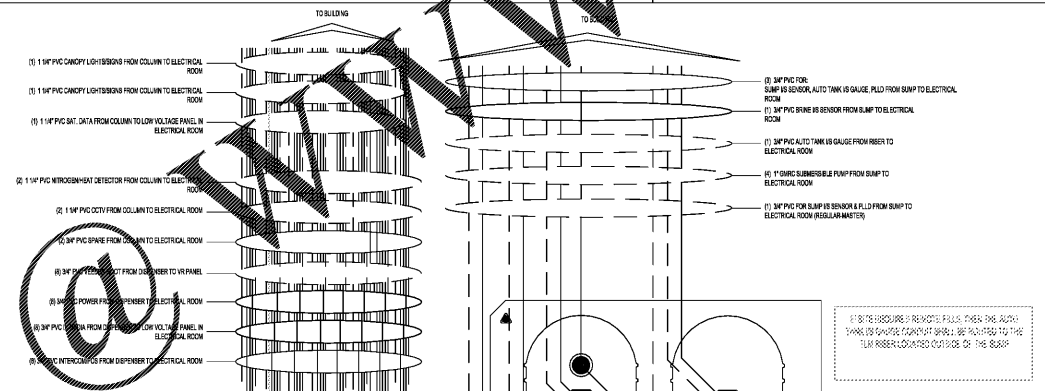
CONDUIT #3

- DISPENSER VGA SCREEN - BELDIN WIRE (#7926A - 24AWG)

CONDUIT #4

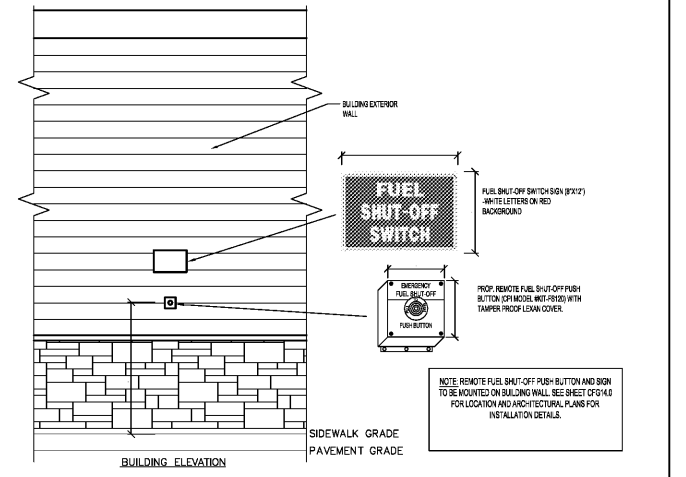
- DISPENSER POWER

ELECTRICAL CONTRACTOR TO INSTALL 3M INTERCOM SYSTEM AND WIRE TO DISPENSERS

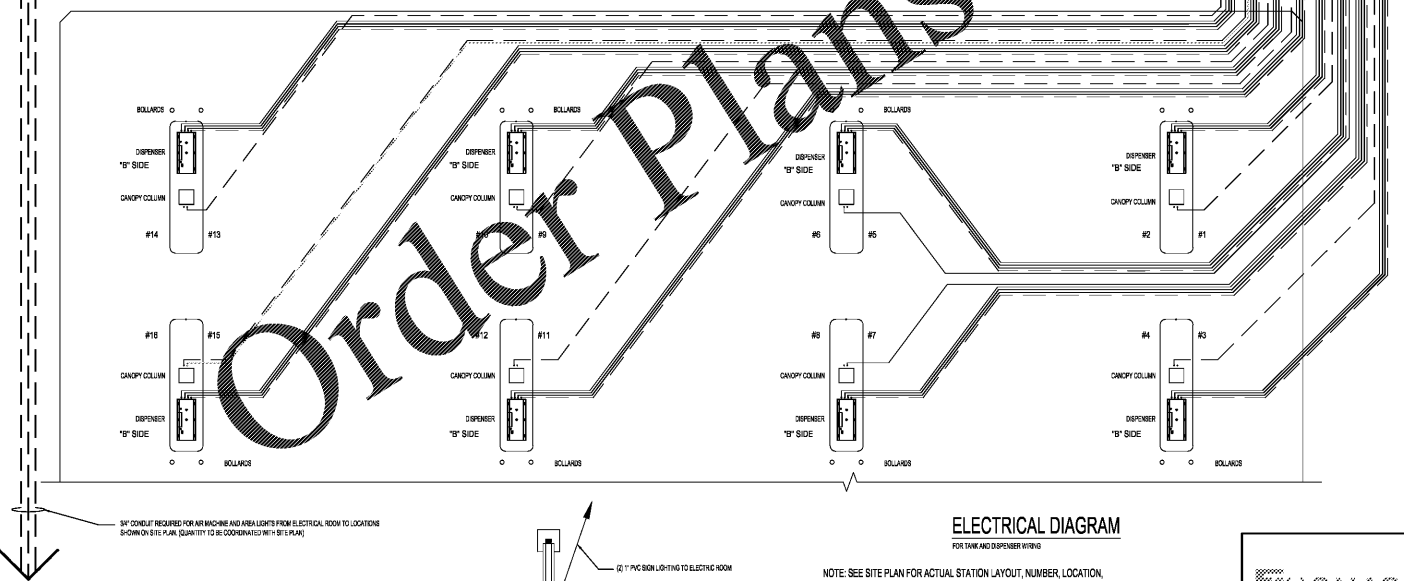


ELECTRICAL DIAGRAM
FOR TANK AND DISPENSER WIRING

NOTE: SEE SITE PLAN FOR ACTUAL STATION LAYOUT, NUMBER, LOCATION, ARRANGEMENT AND CONFIGURATION OF TANKS, ISLANDS AND DISPENSERS, ETC.



05 REMOTE FUEL SHUT-OFF DETAIL (QUANTITY: 2)
CFG14.6 SCALE: N.T.S.



06 TYPICAL ELECTRICAL CONDUIT LAYOUT
CFG14.6 SCALE: N.T.S.

THOMAS MICHAEL A. TROXELL

PROFESSIONAL ENGINEER

8000 NW 31ST AVENUE
FORT LAUDERDALE, FL 33309
PH: (954) 202-7000
FX: (954) 202-7070
www.ThomasEngineeringGroup.com

811 KNOW WHAT'S BELOW ALWAYS CALL 811 BEFORE YOU DIG

FLORIDA LICENSE NO. 50572
FLORIDA BUSINESS CERT. OF AUTH. NO. 27629

REVISIONS

NO.	DATE	REV. BY.	DESCRIPTION
1	5/15/19	MTK	90% PLAN SUBMITTAL
2	6/25/19	MTK	100% PLAN SUBMITTAL

V# n/a
Store# n/a
Gas Station# n/a
Sunrise Blvd. &
NE 4th Avenue
Fort Lauderdale, FL

CUMBERLAND

CUMBERLAND FARMS, INC.
100 Crossing Boulevard
Frammingham, MA 01702

SCALE: AS NOTED
DATE: January 7, 2015
FILE: 811-121-111-101-01-14
DRAWN BY: T.M.R.

TANK INSTALLATION DETAILS
CFG14.6