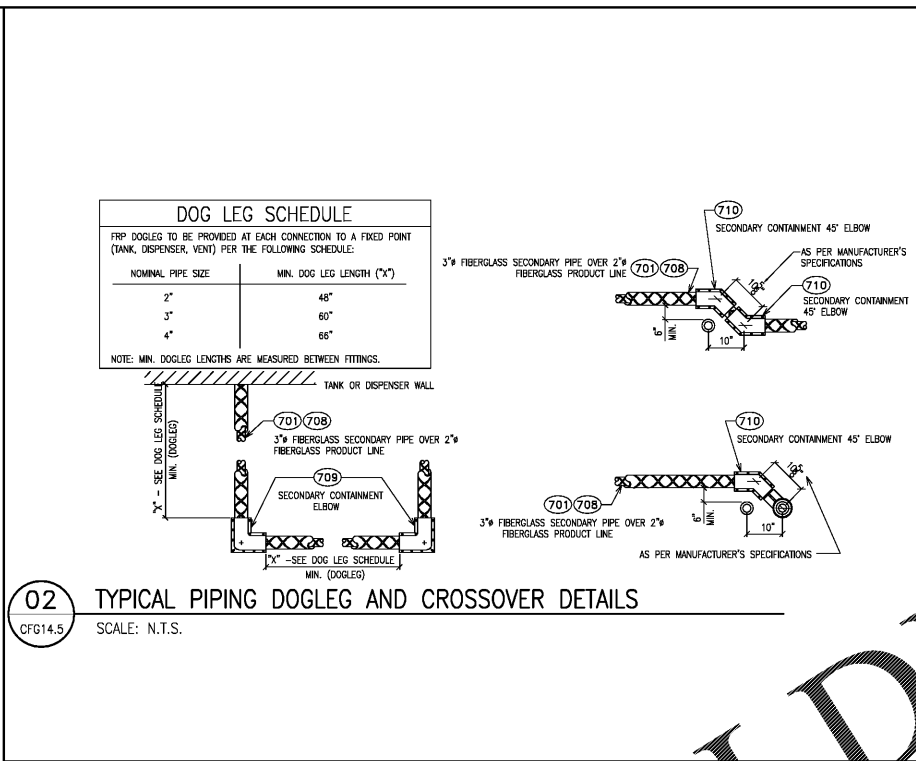
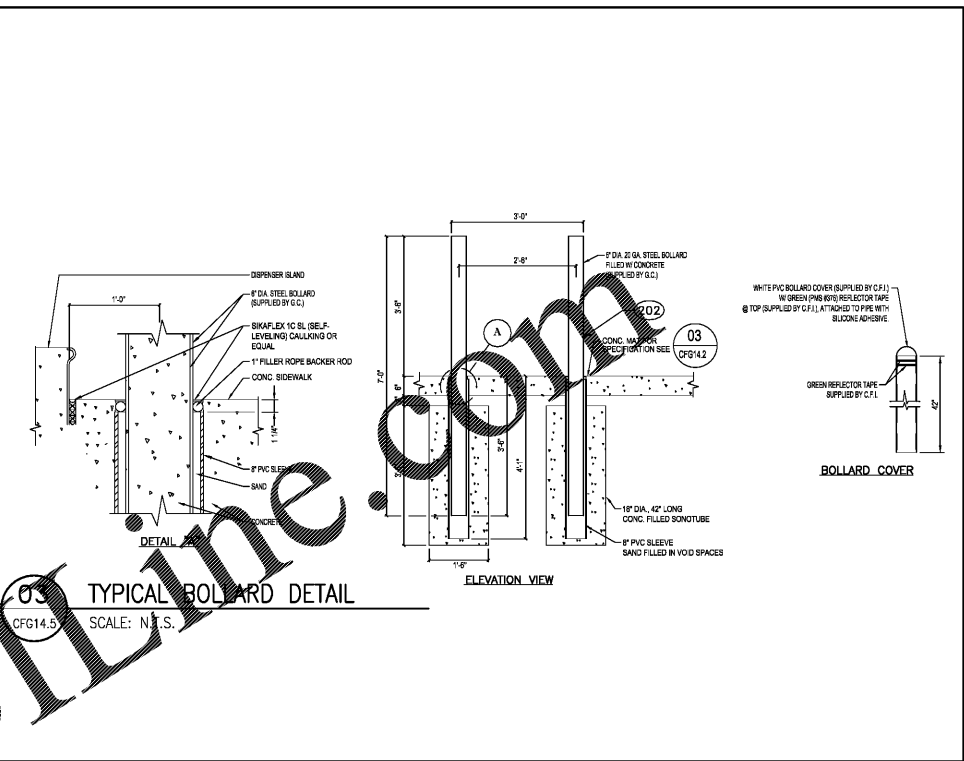


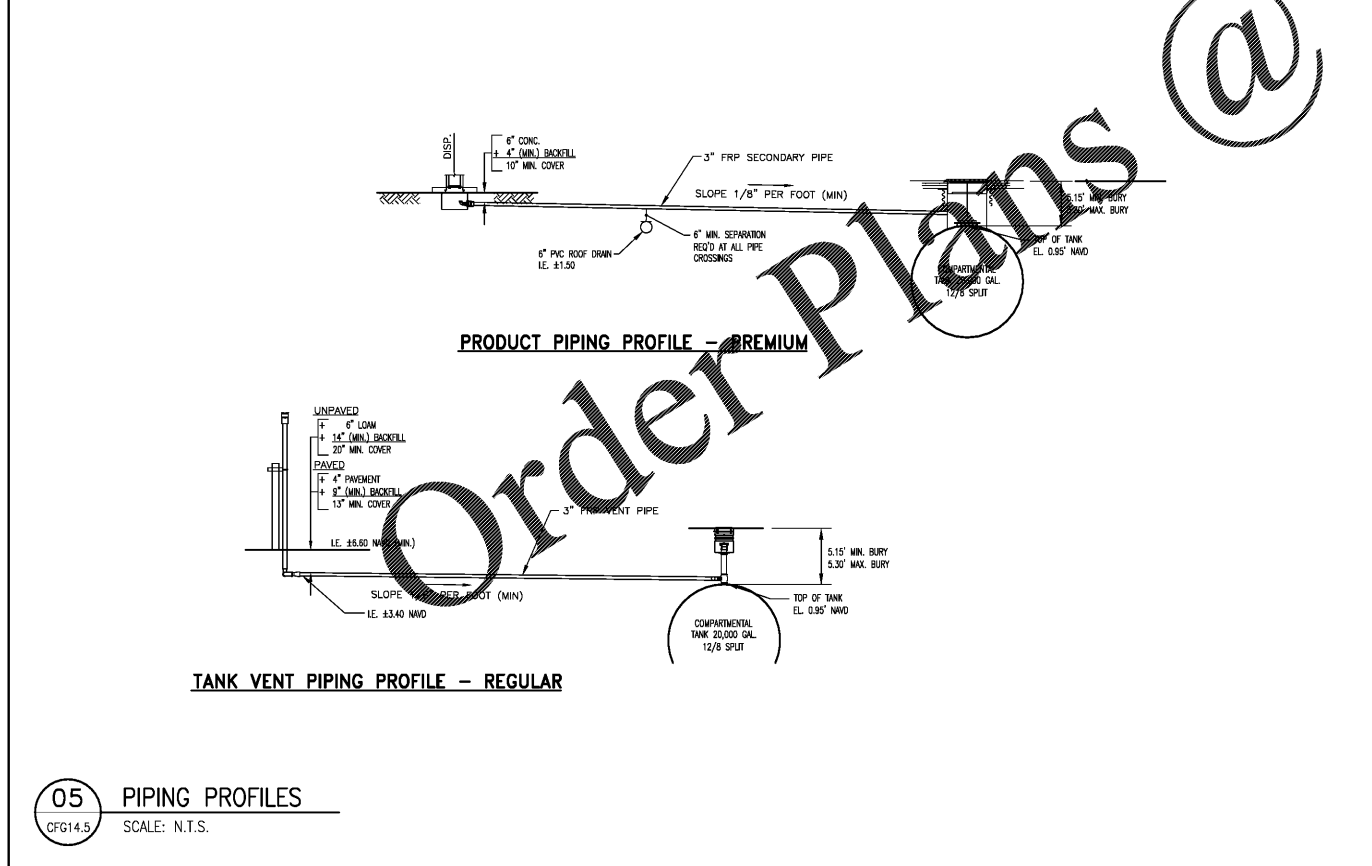
**01 VENT CLUSTER ELEVATION DETAIL**  
 CFG14.5 SCALE: 1/2" = 1'-0"



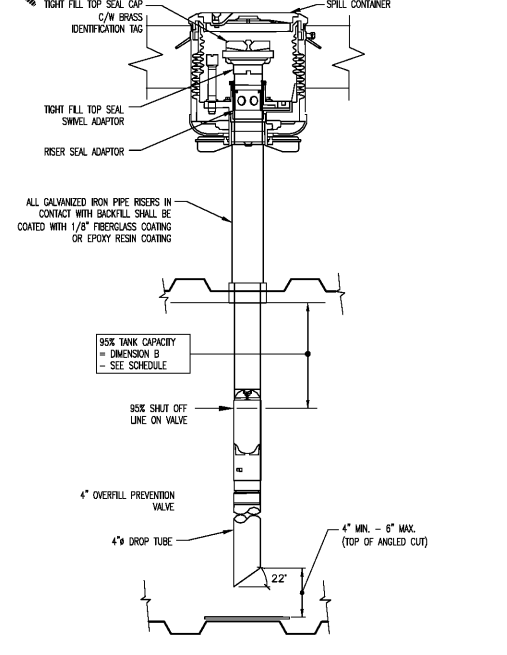
**02 TYPICAL PIPING DOGLEG AND CROSSOVER DETAILS**  
 CFG14.5 SCALE: N.T.S.



**03 TYPICAL BOLLARD DETAIL**  
 CFG14.5 SCALE: N.T.S.

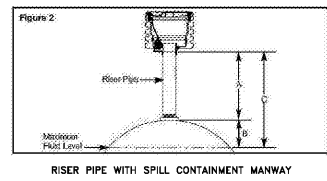


**05 PIPING PROFILES**  
 CFG14.5 SCALE: N.T.S.

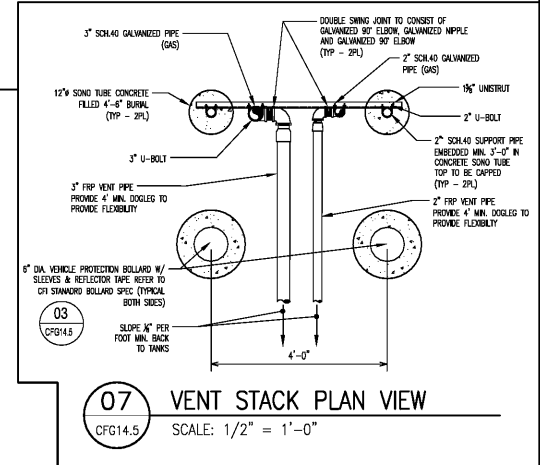


OVERFILL PREVENTION VALVE SCHEDULE					
TANK	ACTUAL VOLUME (GAL.)	93% (ACTUAL) VOLUME (GAL.)	DIM. A	DIM. B	DIM. C
DOUBLE WALL FRP TANK COMPARTMENT 12,000 GAL. - REGULAR SIPHON (BASE TANK)	11,904	.93 (11,904) = 11,070	FIELD VERIFIED	14 5/8"	TBD
DOUBLE WALL FRP TANK COMPARTMENT 8,000 GAL. - PREMIUM (END TANK)	7,901	.93 (7,901) = 7,347	FIELD VERIFIED	14 5/8"	TBD
DOUBLE WALL FRP TANK 20,000 GAL. - REGULAR MASTER	19,782	.93 (19,782) = 18,397	FIELD VERIFIED	14 1/8"	TBD
DOUBLE WALL FRP TANK 10,000 GAL. - DIESEL	10,420	.93 (10,420) = 9,690	FIELD VERIFIED	14 3/4"	TBD

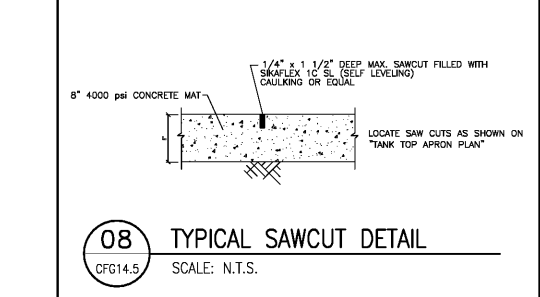
NOTE: GC IS RESPONSIBLE FOR FIELD VERIFYING ALL DIMENSIONS AND ENSURING THE OVERFILL PREVENTION VALVE IS INSTALLED PER ALL STATE AND MANUFACTURER'S REQUIREMENTS.  
 \* BELOW THE TANK TOP (D.L.).  
 DIM. B CORRESPONDS TO 93% ACTUAL TANK VOLUME (FROM TANK CALIBRATION CHART)  
 DIM. C = A + B (TO DETERMINE THE TOP TUBE CUT LENGTH)



**06 OVERFILL PREVENTION VALVE**  
 CFG14.5 SCALE: N.T.S.



**07 VENT STACK PLAN VIEW**  
 CFG14.5 SCALE: 1/2" = 1'-0"



**08 TYPICAL SAWCUT DETAIL**  
 CFG14.5 SCALE: N.T.S.

**THOMAS** MICHAEL A. TROXELL  
 PROFESSIONAL ENGINEER  
 September 11, 2019  
 FLORIDA LICENSE NO. 50572  
 FLORIDA BUSINESS CREDIT AUTH. NO. 27629

**811** KNOW WHAT'S BELOW ALWAYS CALL 811 BEFORE YOU DIG  
 Call us. It's free. It's the way.

REVISIONS			
NO.	DATE	REV. BY.	DESCRIPTION
1	5/15/19	MTK	90% PLAN SUBMITTAL
2	6/25/19	MTK	100% PLAN SUBMITTAL

V# n/a  
 Store# n/a  
 Gas Station# n/a  
 Sunrise Blvd. &  
 NE 4th Avenue  
 Fort Lauderdale, FL

**Cumberland**  
 CUMBERLAND FARMS, INC.  
 100 Crossing Boulevard  
 Framingham, MA 01702

VERDES - DOUBLE WALL FIBERGLASS TANK INSTALLATION FOR:  
**ONE (1) 20,000/GAL. (12/8 SPLIT)/ONE (1) 10,000 GAL. TANKS**

SCALE: AS NOTED  
 DATE: January 7, 2015  
 FILE: 01 (1)18-1220\_0714.5  
 DRAWN BY: T.M.R.  
**SUMP & PIPING DETAILS** CFG14.5