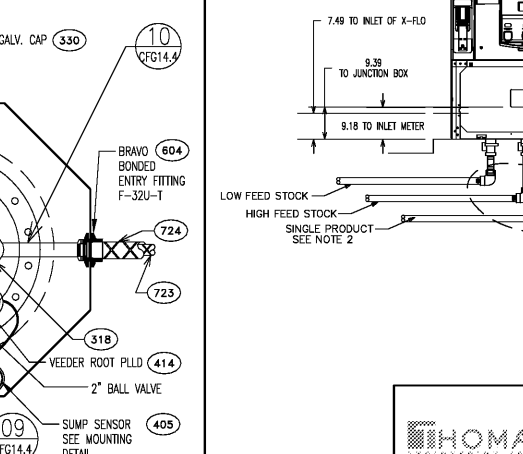
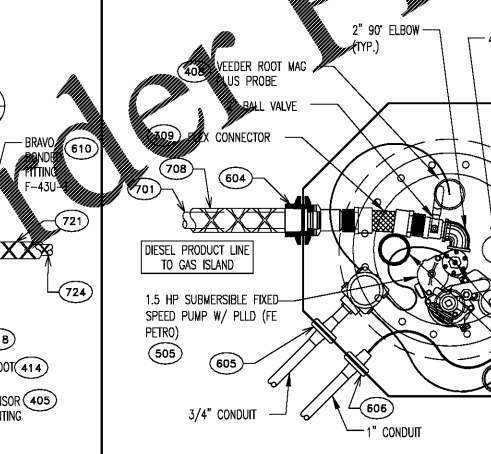
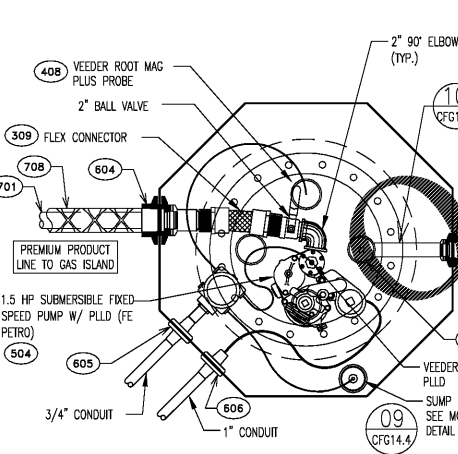
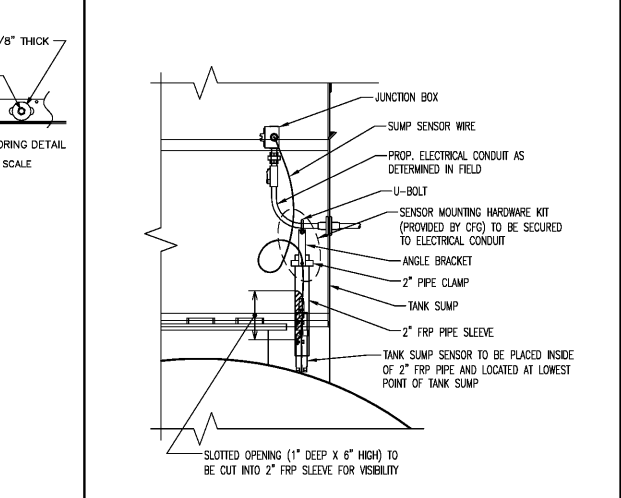
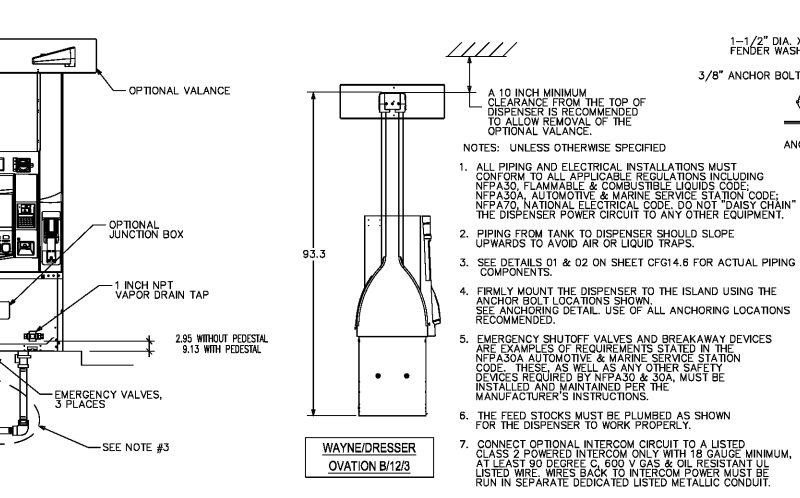
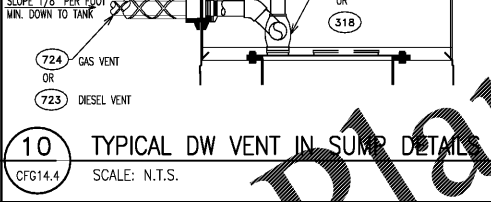
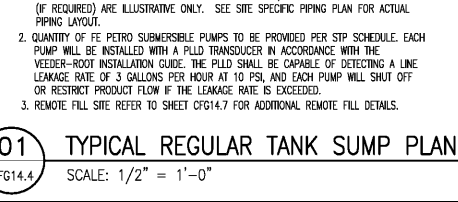
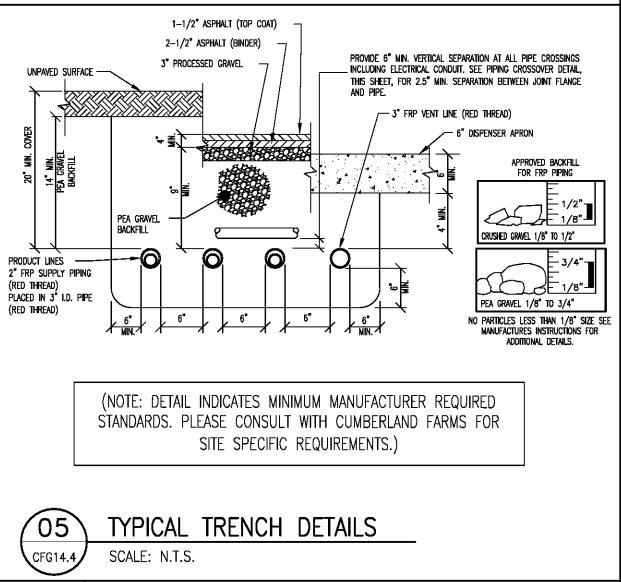
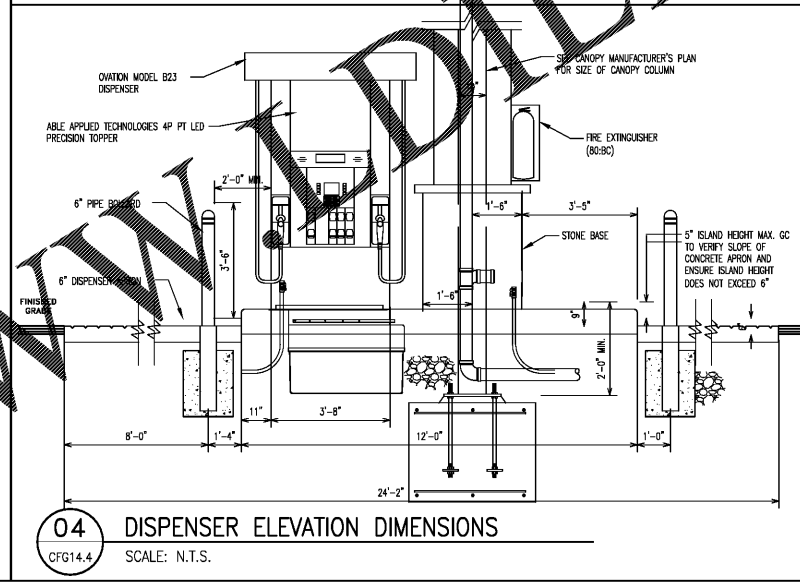
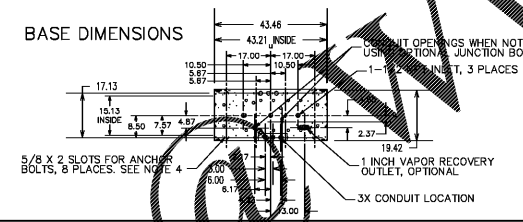
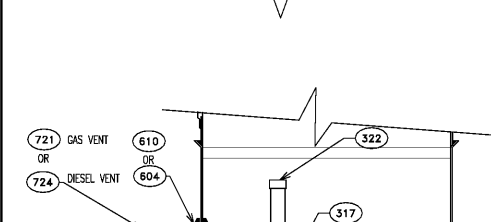


STP SCHEDULE				
# DISPENSERS	# STP'S (REGULAR)	HP VARIABLE SPEED (REGULAR)	# STP'S (PREM./ DIESEL)	HP FIXED SPEED (PREM./ DIESEL)
3 OR LESS	1	2 HP	1	1.5 HP
4/5	1	4 HP	1	1.5 HP
6/7	2	2 HP	1	1.5 HP
8 OR MORE	2	4 HP	1	1.5 HP



REVISIONS			
NO.	DATE	REV. BY.	DESCRIPTION
1	5/15/19	MTK	90% PLAN SUBMITTAL
2	6/25/19	MTK	100% PLAN SUBMITTAL

VERSES - DOUBLE WALL FIBERGLASS TANK INSTALLATION FOR:	
ONE (1) 20,000/GAL. TANK	ONE (1) 20,000 (12/8 SPLIT)/ONE (1) 10,000 GAL. TANKS