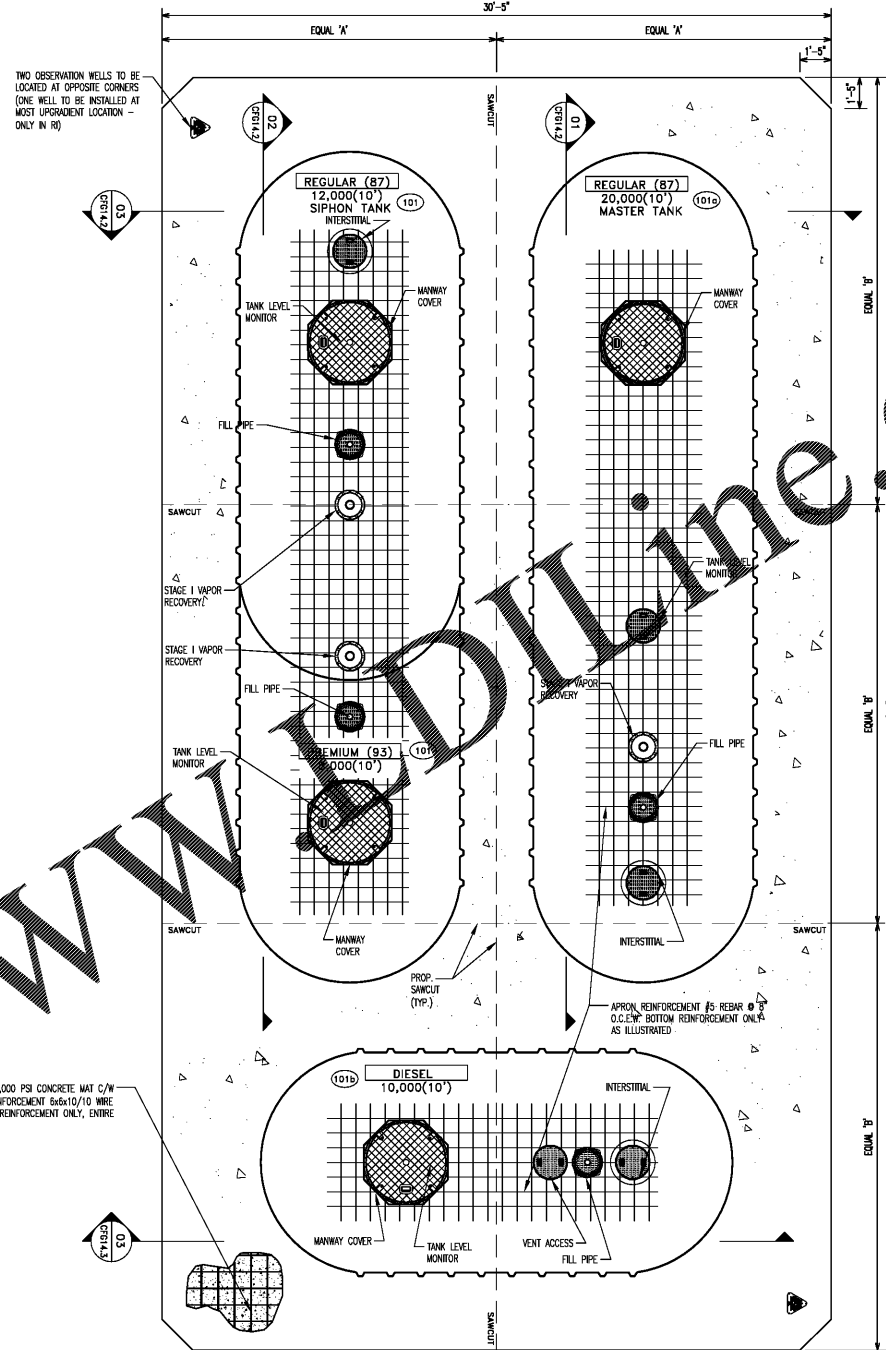


01 TANK DEADMAN ANCHORING PLAN

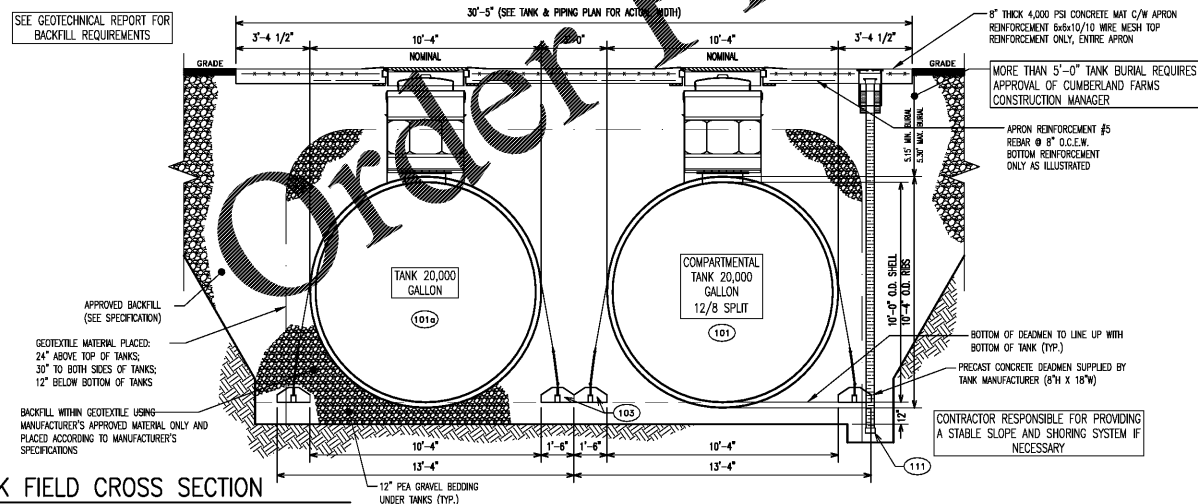
CFG14.2 SCALE: 1/4" = 1'-0"

TWO OBSERVATION WELLS TO BE LOCATED AT OPPOSITE CORNERS (ONE WELL TO BE INSTALLED AT MOST UPGRADIENT LOCATION - ONLY IN RD)



02 TANK TOP APRON - PLAN VIEW

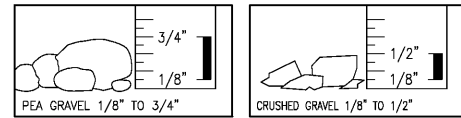
CFG14.2 SCALE: N.T.S.



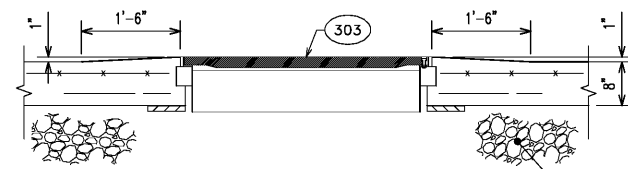
03 TANK FIELD CROSS SECTION

CFG14.2 SCALE: N.T.S.

MANUFACTURER'S APPROVED BACKFILL BETWEEN GEOTEXTILE AND TANKS:



NO PARTICLES LESS THAN 1/8" SIZE. SEE MANUFACTURER'S INSTRUCTIONS FOR ADDITIONAL DETAILS AND COMPACTION SPECIFICATIONS.



04 TYPICAL CROWNING DETAIL

CFG14.2 SCALE: 3/4" = 1'-0"

THOMAS
8000 NW 31ST AVENUE
FORT LAUDERDALE, FL 33309
PH (864) 202-7000
FX (864) 202-7070
www.ThomasEngineeringGroup.com

MICHAEL A. TROXELL
PROFESSIONAL ENGINEER
September 11, 2016
FLORIDA LICENSE NO. 50572
FLORIDA BUSINESS CREDIT AUTH. NO. 27629

811
KNOW WHAT'S BELOW
ALWAYS CALL 811
BEFORE YOU DIG
It's Free. It's Fast. It's Safe.
www.call811.com

REVISIONS			
NO.	DATE	REV. BY.	DESCRIPTION
1	5/15/19	MTK	90% PLAN SUBMITTAL
2	6/25/19	MTK	100% PLAN SUBMITTAL

V# n/a	<p>REVISIONS - DOUBLE WALL FIBERGLASS TANK INSTALLATION FOR: ONE (1) 20,000 GALLON / ONE (1) 20,000 (12/8 SPLIT) / ONE (1) 10,000 GAL TANKS</p> <p>CUMBERLAND FARMS, INC. 100 Crossing Boulevard Frammingham, MA 01702</p>	SCALE: AS NOTED
Store# n/a		DATE: January 7, 2015
Gas Station# n/a		FILE: 2019-01-07-01-01-01
Sunrise Blvd. & NE 4th Avenue Fort Lauderdale, FL		DRAWN BY: T.M.R.
TANK INSTALLATION DETAILS		CFG14.2